

# ALLTEMP

CONDENSING UNITS



## Applications

### LBP

(Low Back Pressure)  
Evaporating  
temperatures between  
-31°F and 14°F

#### Applications:

Refrigerators, frozen food  
cabinets, frozen food  
display cases, display  
windows, etc.

### MPB

(Medium Back Pressure)  
Evaporating  
temperatures between  
5°F and 32°F

#### Applications:

Fresh food cabinets, drink  
coolers,  
ice makers, walk-in  
coolers and freezers.

### L/MBP

(Low/Medium Back  
Pressure)  
Evaporating  
temperatures between  
-31°F and 23°F

#### Applications:

Commercial display  
counters, and drinking  
fountains

## The Second Generation

Same trusted standard you know in our compressors, now available in our high quality, easy to service and efficient second generation of condensing units.

### High Quality and Dependability

- Anti-corrosion paint on coils
- Condenser coil protection and end cover
- Designed for 110°F ambient temperature
- Nitrogen charged at factory

### Ease of Service

- Wiring follows National Electrical Code (NEC)
- Standard electrical connections
- All units have a terminal block and comply with UL requirements
- Components commonly found in the replacement market

## Condenser Selection

### Upgrade Levels

Description	
<b>Bare</b>	Bare level package includes suction valve, liquid valve, fan guard, and end cover. *Power cord ONLY on 115-127V units. UL Recognized @60Hz.
<b>Plus</b>	Plus level package includes suction valve, liquid valve, fan guard, end cover, liquid receiver, sight glass /moisture indicator, and filter drier. *Power cord ONLY on 115-127V units. UL Recognized @60Hz.
<b>Ultimate</b>	Ultimate level package includes suction valve, liquid valve, fan guard, end cover, liquid receiver, glass sight/moisture indicator, filter drier and pressure controls. *Power cord ONLY on 115-127V units. UL Recognized @60Hz.
<b>Ultimate Compact</b>	There is also a low profile option, called Ultimate Compact, designed for applications with height restrictions.

## R134A, R450A, R513A Condensing Units

### Performance Specifications

Condensing Unit Item ID	HP	Application	Ambient Temp. °F (°C)	Capacity (Btu/h) / Evap Temp °F (°C)									
				-30°F (-34°C)	-20°F (-29°C)	-10°F (-23°C)	-5°F (-20°C)	0°F (-18°C)	10°F (-12°C)	20°F (-6°C)	30°F (-1°C)		
31-UFF0010XZE-A11A	1/10	L/MBP	80°F (27°C)	462	649	886	1031	1175	1527	1953	-		
			90°F (32°C)	464	635	845	969	1092	1381	1712	-		
			100°F (38°C)	415	575	772	889	1005	1276	1587	-		
			110°F (43°C)	367	516	700	809	918	1171	1462	-		
31-UFF0010XZE-A21A			1/10	L/MBP	80°F (27°C)	462	649	886	1031	1175	1527	1953	-
					90°F (32°C)	464	635	845	969	1092	1381	1712	-
					100°F (38°C)	415	575	772	889	1005	1276	1587	-
					110°F (43°C)	367	516	700	809	918	1171	1462	-
31-UFF0020XZG-A11A	1/5	L/MBP			80°F (27°C)	589	777	1012	1151	1290	1617	1990	-
					90°F (32°C)	536	712	932	1062	1192	1497	1845	-
					100°F (38°C)	480	645	851	972	1093	1376	1700	-
					110°F (43°C)	421	576	767	879	992	1255	1554	-
31-UFF0020XZG-A21A			1/5	L/MBP	80°F (27°C)	589	777	1012	1151	1290	1617	1990	-
					90°F (32°C)	536	712	932	1062	1192	1497	1845	-
					100°F (38°C)	480	645	851	972	1093	1376	1700	-
					110°F (43°C)	421	576	767	879	992	1255	1554	-

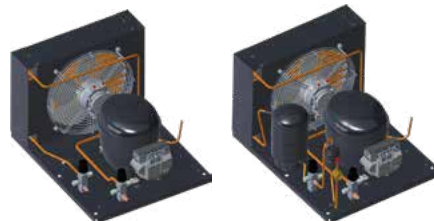
#### CDU Version

#### Mec/Elec

Bare	11
Plus	21
Ultimate	22
Ultimate Compact	32
Customized	99

## Electrical Specifications

Condensing Unit Item ID	Compressor Model	Volts-Phase- Hertz	Compressor		Fan Motor FLA	Cond. Unit		Wiring Diagram Reference
			LRA	RLA		MCA	Max. Fuse	
31-UFF0010XZE-A11A	FFU80HAX	115 -127V/1/60Hz	30.5	4	0.53	5.53	10	15350250
31-UFF0010XZE-A21A	FFU80HAX	115 -127V/1/60Hz	30.5	4	0.53	5.53	10	15350250
31-UFF0020XZG-A11A	FF10HBX	115V/1/60Hz	35	5.7	0.53	7.655	15	15350250
31-UFF0020XZG-A21A	FF10HBX	115V/1/60Hz	35	5.7	0.53	7.655	15	15350250



Bare Style

Plus Style

## R134A, R450A, R513A Condensing Units

### Performance Specifications

Condensing Unit Item ID	HP	Application	Ambient Temp. °F (°C)	Capacity (Btu/h) / Evap Temp °F (°C)									
				-30°F (-34°C)	-20°F (-29°C)	-10°F (-23°C)	-5°F (-20°C)	0°F (-18°C)	10°F (-12°C)	20°F (-6°C)	30°F (-1°C)		
31-UFF0025XZE-A11A	1/4	L/MBP	80°F (27°C)	-	935	1264	1461	1674	2197	2829	-		
			90°F (32°C)	676	913	1227	1412	1606	2046	2499	-		
			100°F (38°C)	609	837	1129	1298	1473	1864	2262	-		
			110°F (43°C)	540	755	1030	1186	1348	1706	2065	-		
31-UFF0025XZE-A21A			1/4	L/MBP	80°F (27°C)	-	935	1264	1461	1674	2197	2829	-
					90°F (32°C)	676	913	1227	1412	1606	2046	2499	-
					100°F (38°C)	609	837	1129	1298	1473	1864	2262	-
					110°F (43°C)	540	755	1030	1186	1348	1706	2065	-
31-UFF0033XZE-A21A	1/3	L/MBP			80°F (27°C)	982	1287	1657	1873	2089	2595	3181	-
					90°F (32°C)	900	1189	1540	1745	1949	2428	2981	-
					100°F (38°C)	832	1112	1451	1649	1846	2308	2840	-
					110°F (43°C)	750	1015	1335	1522	1708	2143	2644	-
31-UFF0033XZE-A22A			1/3	L/MBP	80°F (27°C)	982	1287	1657	1873	2089	2595	3181	-
					90°F (32°C)	900	1189	1540	1745	1949	2428	2981	-
					100°F (38°C)	832	1112	1451	1649	1846	2308	2840	-
					110°F (43°C)	750	1015	1335	1522	1708	2143	2644	-

#### CDU Version

Bare
Plus
Ultimate
Ultimate Compact
Customized

#### Mec/Elec

11
21
22
32
99

Electrical Specifications								
Condensing Unit Item ID	Compressor Model	Volts-Phase-Hertz	Compressor		Fan Motor FLA	Cond. Unit		Wiring Diagram Reference
			LRA	RLA		MCA	Max. Fuse	
31-UFF0025XZE-A11A	FFU130HAX	115-127V/60Hz	40.3	3.40	0.53	4.80	10	15350250
31-UFF0025XZE-A21A	FFU130HAX	115-127V/60Hz	40.3	3.40	0.53	4.80	10	15350250
31-UFF0033XZE-A21A	FFU160HAX	115 -127V/1/60Hz	44.5	8.1	0.8	10.925	20	15350250
31-UFF0033XZE-A22A	FFU160HAX	115 -127V/1/60Hz	44.5	8.1	0.8	10.925	20	15350250



Bare Style

Plus Style

Ultimate Style

## R134A, R450A, R513A Condensing Units

### Performance Specifications

Condensing Unit Item ID	HP	Application	Ambient Temp. °F (°C)	Capacity (Btu/h) / Evap Temp °F (°C)							
				-30°F (-34°C)	-20°F (-29°C)	-10°F (-23°C)	-5°F (-20°C)	0°F (-18°C)	10°F (-12°C)	20°F (-6°C)	30°F (-1°C)
31-UNE0045MZE-A21A	2/5	MBP	80°F (27°C)	-	-	-	1874	2226	2931	3782	4799
			90°F (32°C)	-	-	-	1742	2072	2573	3533	4490
			100°F (38°C)	-	-	-	1615	1922	2536	3283	4178
			110°F (43°C)	-	-	-	1492	1775	2342	3034	3865
31-UNE0045MZE-A22A			80°F (27°C)	-	-	-	1874	2226	2931	3782	4799
			90°F (32°C)	-	-	-	1742	2072	2573	3533	4490
			100°F (38°C)	-	-	-	1615	1922	2536	3283	4178
			110°F (43°C)	-	-	-	1492	1775	2342	3034	4178
31-UNE0045MZB-A21A			80°F (27°C)	-	-	-	1871	2208	2884	3701	4682
			90°F (32°C)	-	-	-	1720	2038	2573	3444	4361
			100°F (38°C)	-	-	-	1551	1853	2455	3174	4029
			110°F (43°C)	-	-	-	1365	1650	2219	2891	3684
31-UNE0045MZB-A22A			80°F (27°C)	-	-	-	1871	2208	2884	3701	4682
			90°F (32°C)	-	-	-	1720	2038	2573	3444	4361
			100°F (38°C)	-	-	-	1551	1853	2455	3174	4029
			110°F (43°C)	-	-	-	1365	1650	2219	2891	3684

#### CDU Version

Bare
Plus
Ultimate
Ultimate Compact
Customized

#### Mec/Elec

11
21
22
32
99



## Electrical Specifications

Condensing Unit Item ID	Compressor Model	Volts-Phase-Hertz	Compressor		Fan Motor FLA	Cond. Unit		Wiring Diagram Reference
			LRA	RLA		MCA	Max. Fuse	
31-UNE0045MZE-A22A	NEU6212Z	115-127V/1/60Hz	43	8.04	0.8	10.85	20	2196097
31-UNE0045MZE-A22A	NEU6212Z	115-127V/1/60Hz	43	8.04	0.8	10.85	20	2196097
31-UNE0045MZB-A21A	NEU6212Z	208-230V/1/60Hz	26	3.56	0.8	5.25	10	2196098
31-UNE0045MZB-A22A	NEU6212Z	208-230V/1/60Hz	26	3.56	0.8	5.25	10	2196098



Plus Style

Ultimate Style

## R134A, R450A, R513A Condensing Units

Performance Specifications															
Condensing Unit Item ID	HP	Application	Ambient Temp. °F (°C)	Capacity (Btu/h) / Evap Temp °F (°C)											
				-30°F (-34°C)	-20°F (-29°C)	-10°F (-23°C)	-5°F (-20°C)	0°F (-18°C)	10°F (-12°C)	20°F (-6°C)	30°F (-1°C)				
31-UNE0050MZE-A21A	1/2	MBP	80°F (27°C)	-	-	-	2116	2530	3359	4336	5485				
			90°F (32°C)	-	-	-	1933	2329	2573	4051	5144				
			100°F (38°C)	-	-	-	1754	2129	2880	3764	4800				
			110°F (43°C)	-	-	-	1578	1933	2642	3476	4453				
31-UNE0050MZE-A22A			1/2	MBP	80°F (27°C)	-	-	-	2122	2542	3383	4379	5555		
					90°F (32°C)	-	-	-	1940	2339	2573	4082	5196		
					100°F (38°C)	-	-	-	1765	2140	2891	3784	4836		
					110°F (43°C)	-	-	-	1596	1948	2650	3488	4475		
31-UNE0050MZD-A21A					1/2	MBP	80°F (27°C)	-	-	-	2122	2542	3383	4379	5555
							90°F (32°C)	-	-	-	1940	2339	2573	4082	5196
							100°F (38°C)	-	-	-	1765	2140	2891	3784	4836
							110°F (43°C)	-	-	-	1596	1948	2650	3488	4475

### CDU Version

Bare
Plus
Ultimate
Ultimate Compact
Customized

### Mec/Elec

11
21
22
32
99

Electrical Specifications								
Condensing Unit Item ID	Compressor Model	Volts-Phase-Hertz	Compressor		Fan Motor FLA	Cond. Unit		Wiring Diagram Reference
			LRA	RLA		MCA	Max. Fuse	
31-UNE0050MZE-A21A	NEU6214Z	115-127V/1/60Hz	50	10.01	0.8	13.3125	25	2196099
31-UNE0050MZE-A22A	NEU6214Z	115-127V/1/60Hz	50	10.01	0.8	13.3125	25	2196099
31-UNE0050MZD-A21A	NEU6214Z	208-230V/1/60Hz	30	5.65	0.8	7.8625	15	2196100



Plus Style

Ultimate Style

## R134A, R450A, R513A Condensing Units

Performance Specifications											
Condensing Unit Item ID	HP	Application	Ambient Temp. °F (°C)	Capacity (Btu/h) / Evap Temp °F (°C)							
				-30°F (-34°C)	-20°F (-29°C)	-10°F (-23°C)	-5°F (-20°C)	0°F (-18°C)	10°F (-12°C)	20°F (-6°C)	30°F (-1°C)
31-UNE0050MZD-A22A	1/2	MBP	80°F (27°C)	-	-	-	2122	2542	3383	4379	5555
			90°F (32°C)	-	-	-	1940	2339	2573	4082	5196
			100°F (38°C)	-	-	-	1765	2140	2891	3784	4836
			110°F (43°C)	-	-	-	1596	1948	2650	3488	4475
31-UNT0060MZG-A21A	3/5		80°F (27°C)	-	-	-	2778	3289	4312	5566	7079
			90°F (32°C)	-	-	-	2560	3035	4051	5151	6557
			100°F (38°C)	-	-	-	2332	2771	3648	4726	6025
			110°F (43°C)	-	-	-	2094	2497	3303	4292	-
31-UNT0060MZG-A22A			80°F (27°C)	-	-	-	2778	3289	4312	5566	7079
			90°F (32°C)	-	-	-	2560	3035	4051	5151	6557
			100°F (38°C)	-	-	-	2332	2771	3648	4726	6025
			110°F (43°C)	-	-	-	2094	2497	3303	4292	-

### CDU Version

Bare
Plus
Ultimate
Ultimate Compact
Customized

### Mec/Elec

11
21
22
32
99

Electrical Specifications									
Condensing Unit Item ID	Compressor Model	Volts-Phase-Hertz	Compressor		Fan Motor FLA	Cond. Unit		Wiring Diagram Reference	
			LRA	RLA		MCA	Max. Fuse		
31-UNE0050MZD-A22A	NEU6214Z	208-230V/1/60Hz	30	5.65	0.8	7.8625	15	2196100	
31-UNT0060MZG-A21A	NT6220Z	115V/1/60Hz	33.7	8.5	0.8	11.425	20	2196099	
31-UNT0060MZG-A22A	NT6220Z	115V/1/60Hz	33.7	8.5	0.8	11.425	20	2196099	



Plus Style

Ultimate Style

## R134A, R450A, R513A Condensing Units

Performance Specifications											
Condensing Unit Item ID	HP	Application	Ambient Temp. °F (°C)	Capacity (Btu/h) / Evap Temp °F (°C)							
				-30°F (-34°C)	-20°F (-29°C)	-10°F (-23°C)	-5°F (-20°C)	0°F (-18°C)	10°F (-12°C)	20°F (-6°C)	30°F (-1°C)
31-UNT0060MZD-A21A	3/5	MBP	80°F (27°C)	-	-	-	2862	3384	4430	5674	7138
			90°F (32°C)	-	-	-	2600	3084	4051	5212	6582
			100°F (38°C)	-	-	-	2360	2802	3686	4759	6032
			110°F (43°C)	-	-	-	2148	2545	3340	4319	-
31-UNT0060MZD-A22A			80°F (27°C)	-	-	-	2862	3384	4430	5674	7138
			90°F (32°C)	-	-	-	2600	3084	4051	5212	6582
			100°F (38°C)	-	-	-	2360	2802	3686	4759	6032
			110°F (43°C)	-	-	-	2148	2545	3340	4319	-
31-UNT0100MZG-A21A	1	80°F (27°C)	-	-	-	3774	4631	6346	8386	10765	
		90°F (32°C)	-	-	-	3409	4213	6918	7736	9970	
		100°F (38°C)	-	-	-	3042	3792	5293	7081	9165	
		110°F (43°C)	-	-	-	2678	3373	4763	6421	8354	

### CDU Version

Bare
Plus
Ultimate
Ultimate Compact
Customized

### Mec/Elec

11
21
22
32
99

Electrical Specifications									
Condensing Unit Item ID	Compressor Model	Volts-Phase-Hertz	Compressor		Fan Motor FLA	Cond. Unit		Wiring Diagram Reference	
			LRA	RLA		MCA	Max. Fuse		
31-UNT0060MZD-A21A	NT6220Z	208-230V/1/60Hz	54.5	11	0.8	14.55	25	2196098	
31-UNT0060MZD-A22A	NT6220Z	208-230V/1/60Hz	54.5	11	0.8	14.55	25	2196098	
31-UNT0100MZG-A21A	NTU6224ZV	115V/1/60Hz	78	13.6	0.81	17.81	35	2196099	



Plus Style

Ultimate Style

## R134A, R450A, R513A Condensing Units

Performance Specifications											
Condensing Unit Item ID	HP	Application	Ambient Temp. °F (°C)	Capacity (Btu/h) / Evap Temp °F (°C)							
				-30°F (-34°C)	-20°F (-29°C)	-10°F (-23°C)	-5°F (-20°C)	0°F (-18°C)	10°F (-12°C)	20°F (-6°C)	30°F (-1°C)
31-UNT0100MZG-A22A	1	MBP	80°F (27°C)	-	-	-	3774	4631	6346	8386	10765
			90°F (32°C)	-	-	-	3409	4213	6918	7736	9970
			100°F (38°C)	-	-	-	3042	3792	5293	7081	9165
			110°F (43°C)	-	-	-	2678	3373	4763	6421	8354
31-UNT0100MZD-A21A			80°F (27°C)	-	-	-	4020	4783	6310	8208	10534
			90°F (32°C)	-	-	-	3702	4418	6918	7622	9787
			100°F (38°C)	-	-	-	3342	4014	5358	7005	9011
			110°F (43°C)	-	-	-	2935	3565	4827	6356	8206
31-UNT0100MZD-A22A			80°F (27°C)	-	-	-	4020	4783	6310	8208	10534
			90°F (32°C)	-	-	-	3702	4418	6918	7622	9787
			100°F (38°C)	-	-	-	3342	4014	5358	7005	9011
			110°F (43°C)	-	-	-	2935	3565	4827	6356	8206

### CDU Version

Bare
Plus
Ultimate
Ultimate Compact
Customized

### Mec/Elec

11
21
22
32
99



Electrical Specifications								
Condensing Unit Item ID	Compressor Model	Volts-Phase-Hertz	Compressor		Fan Motor FLA	Cond. Unit		Wiring Diagram Reference
			LRA	RLA		MCA	Max. Fuse	
31-UNT0100MZG-A22A	NTU6224ZV	115V/1/60Hz	78	13.6	0.81	17.81	35	2196099
31-UNT0100MZD-A21A	NTU6224ZV	208-230V/1/60Hz	46	8	0.81	10.81	20	2196100
31-UNT0100MZD-A22A	NTU6224ZV	208-230V/1/60Hz	46	8	0.81	10.81	20	2196100



Plus Style

Ultimate Style

## R134A, R450A, R513A Parts Breakdown

Condensing Unit Item ID	Application	Compressor Model	Relay	Run Cap	Start Cap	Overload	Suction Valve	Liquid Valve
31-UFF0010XZE-A11A	L/MBP & MBP	FFU80HAX	213516094	-	13556005	13634483	2110142	2110140
31-UFF0010XZE-A21A		FFU80HAX	213516094	-	13556005	13634483	2110142	2110140
31-UFF0020XZG-A11A		FF10HBX	213516191	-	13556529	13554609	2110142	2110140
31-UFF0020XZG-A21A		FF10HBX	213516191	-	13556529	13554609	2110142	2110140
31-UFF0025XZE-A11A		FFU130HAX	213516051	-	13556535	13554617	2110142	2110140
31-UFF0025XZE-A21A		FFU130HAX	213516051	-	13556535	13554617	2110142	2110140
31-UFF0033XZE-A11A		FFU160HAX	213516051	-	13556535	13554029	2110142	2110140
31-UFF0033XZE-A21A		FFU160HAX	213516051	-	13556535	13554029	2110142	2110140
31-UFF0033XZE-A22A		FFU160HAX	213516051	-	13556535	13554029	2110142	2110140
31-UFF0033XZD-A11A		FFU160HAX	213516051	-	13556535	13554029	2110142	2110140
31-UFF0033XZD-A21A		FFU160HAX	213516051	-	13556535	13554029	2110142	2110140
31-UFF0033XZD-A22A		FFU160HAX	213516051	-	13556535	13554029	2110142	2110140
31-UNE0045MZE-A21A		NEU6212Z	2271116	-	2252324	2324007	2110143	2110142
31-UNE0045MZE-A22A		NEU6212Z	2271116	-	2252324	2324007	2110143	2110142
31-UNE0045MZB-A21A		NEU6212Z	2271116	-	2252324	2324007	2110143	2110142
31-UNE0045MZB-A22A		NEU6212Z	2271116	-	2252324	2324007	2110143	2110142
31-UNE0050MZE-A21A		NEU6214Z	1253050	2253313	2252288	2321081	2110143	2110142
31-UNE0050MZE-A22A		NEU6214Z	1253050	2253313	2252288	2321081	2110143	2110142
31-UNE0050MZD-A21A		NEU6214Z	1253050	2253313	2252288	2321081	2110143	2110142
31-UNE0050MZD-A22A		NEU6214Z	1253050	2253313	2252288	2321081	2110143	2110142
31-UNT0060MZG-A21A		NT6220Z	1262264	2253315	2252273	2295004	2110143	2110142
31-UNT0060MZG-A22A		NT6220Z	1262264	2253315	2252273	2295004	2110143	2110142
31-UNT0060MZD-A21A		NT6220Z	1262264	2253315	2252273	2295004	2110143	2110142
31-UNT0060MZD-A22A		NT6220Z	1262264	2253315	2252273	2295004	2110143	2110142
31-UNT0100MZG-A21A		NTU6224ZV	1253066	2253321	2252374	Internal	2110141	2110049
31-UNT0100MZG-A22A		NTU6224ZV	1253066	2253321	2252374	Internal	2110141	2110049
31-UNT0100MZD-A21A		NTU6224ZV	1253066	2253321	2252374	Internal	2110141	2110049
31-UNT0100MZD-A22A		NTU6224ZV	1253066	2253321	2252374	Internal	2110141	2110049

Condensing Unit Item ID	Condenser	Fan Motor	Fan Blade	Fan Guard	Filter Drier	Receiver	Sight Glass	Pressure Switch	Power Cord
31-UFF0010XZE-A11A	515400105	515400110	515400107	2458034	-	-	-	-	515400112
31-UFF0010XZE-A21A	515400105	515400110	515400107	2458034	2730021	2457070	2464416	-	515400112
31-UFF0020XZG-A11A	515400105	515400110	515400107	2458034	-	-	-	-	515400112
31-UFF0020XZG-A21A	515400105	515400110	515400107	2458034	2730021	2457070	2464416	-	515400112
31-UFF0025XZE-A11A	515400105	515400110	515400107	2458034	-	-	-	-	515400112
31-UFF0025XZE-A21A	515400105	515400110	515400107	2458034	2730021	2457071	2464416	-	515400112
31-UFF0033XZE-A11A	515400104	515400108	515400106	2458035	-	-	-	-	515400112
31-UFF0033XZE-A21A	515400104	515400108	515400106	2458035	2730021	2457071	2464416	-	515400112
31-UFF0033XZE-A22A	515400104	515400108	515400106	2458035	2730021	2457071	2464416	2466035	2258226
31-UFF0033XZD-A11A	515400104	515400109	515400106	2458035	-	-	-	-	-
31-UFF0033XZD-A21A	515400104	515400109	515400106	2458035	2730021	2457071	2464416	-	-
31-UFF0033XZD-A22A	515400104	515400109	515400106	2458035	2730021	2457071	2464416	2466035	-
31-UNE0045MZE-A21A	2451254	1450116	2455003	2458035	2730010	2457071	2464417	-	2258226
31-UNE0045MZE-A22A	2451254	1450116	2455003	2458035	2730010	2457071	2464417	2466035	2258226
31-UNE0045MZB-A21A	2451254	1450117	2455003	2458035	2730010	2457071	2464417	-	-
31-UNE0045MZB-A22A	2451254	1450117	2455003	2458035	2730010	2457071	2464417	2466035	-
31-UNE0050MZE-A21A	2451254	1450116	2455003	2458035	2730010	2457071	2464417	-	2258071
31-UNE0050MZE-A22A	2451254	1450116	2455003	2458035	2730010	2457071	2464417	2466035	2258226
31-UNE0050MZD-A21A	2451254	1450117	2455003	2458035	2730010	2457071	2464417	-	-
31-UNE0050MZD-A22A	2451254	1450117	2455003	2458035	2730010	2457071	2464417	2466035	-
31-UNT0060MZG-A21A	2451255	1450116	2455003	2458035	2730010	2457071	2464417	-	2258228
31-UNT0060MZG-A22A	2451255	1450116	2455003	2458035	2730010	2457071	2464417	2466035	2258227
31-UNT0060MZD-A21A	2451255	1450117	2455003	2458035	2730010	2457071	2464417	-	-
31-UNT0060MZD-A22A	2451255	1450117	2455003	2458035	2730010	2457071	2464417	2466035	-
31-UNT0100MZG-A21A	2451257	1451109			2730010	2457036	2464417	-	2258228
31-UNT0100MZG-A22A	2451257	1451109			2730010	2457036	2464417	2466035	2258227
31-UNT0100MZD-A21A	2451257	1451089			2730010	2457036	2464417	-	-
31-UNT0100MZD-A22A	2451257	1451089			2730010	2457036	2464417	2466035	-

## R404A, R448A, R449A, R452A Condensing Units

### Performance Specifications

Condensing Unit Item ID	HP	App.	Ambient Temp. °F (°C)	Capacity (Btu/h) / Evap Temp °F (°C)												
				-40°F (-40°C)	-30°F (-34°C)	-20°F (-29°C)	-10°F (-23°C)	-5°F (-20°C)	0°F (-18°C)	10°F (-12°C)	20°F (-6°C)	30°F (-1°C)				
31-UNE0020LGG-A11A	1/5	LBP	80°F (27°C)	638	831	1057	1326	1477	1628	1965	-	-				
			90°F (32°C)	577	752	960	1206	1345	1484	1794	-	-				
			100°F (38°C)	538	702	898	1131	1263	1395	1690	-	-				
			110°F (43°C)	481	627	804	1016	1136	1255	1522	-	-				
31-UNE0020LGG-A21A			1/5	LBP	80°F (27°C)	638	831	1057	1326	1477	1628	1965	-	-		
					90°F (32°C)	577	752	960	1206	1345	1484	1794	-	-		
					100°F (38°C)	538	702	898	1131	1263	1395	1690	-	-		
					110°F (43°C)	481	627	804	1016	1136	1255	1522	-	-		
31-UNE0020LGG-A22A					1/5	LBP	80°F (27°C)	638	831	1057	1326	1477	1628	1965	-	-
							90°F (32°C)	577	752	960	1206	1345	1484	1794	-	-
							100°F (38°C)	538	702	898	1131	1263	1395	1690	-	-
							110°F (43°C)	481	627	804	1016	1136	1255	1522	-	-
31-UNE0025MGE-A21A	1/4	MBP					80°F (27°C)	-	-	-	-	1592	1740	2139	2686	3451
							90°F (32°C)	-	-	-	-	1426	1560	1924	2425	3124
							100°F (38°C)	-	-	-	-	1265	1384	1711	2163	2794
							110°F (43°C)	-	-	-	-	1108	1212	1500	1901	2461

#### CDU Version

Bare
Plus
Ultimate
Ultimate Compact
Customized

#### Mec/Elec

11
21
22
32
99

## Electrical Specifications

Condensing Unit Item ID	Compressor Model	Volts-Phase-Hertz	Compressor		Fan Motor FLA	Cond. Unit		Wiring Diagram Reference
			LRA	RLA		MCA	Max. Fuse	
31-UNE0020LGG-A11A	NEK2121GK	115V/1/60Hz	27	4.17	0.53	5.7425	10	2196097
31-UNE0020LGG-A21A	NEK2121GK	115V/1/60Hz	27	4.17	0.53	5.7425	10	2196097
31-UNE0020LGG-A22A	NEK2121GK	115V/1/60Hz	27	4.17	0.53	5.7425	10	2196097
31-UNE0025MGE-A21A	NEU6181GK	115-127V/1/60Hz	31	6	0.8	8.3	15	2196097



Bare Style

Plus Style

Ultimate Style

## R404A, R448A, R449A, R452A Condensing Units

Performance Specifications													
Condensing Unit Item ID	HP	App.	Ambient Temp. °F (°C)	Capacity (Btu/h) / Evap Temp °F (°C)									
				-40°F (-40°C)	-30°F (-34°C)	-20°F (-29°C)	-10°F (-23°C)	-5°F (-20°C)	0°F (-18°C)	10°F (-12°C)	20°F (-6°C)	30°F (-1°C)	
31-UNT0025MGE-A11A	1/4	MBP	80°F (27°C)	-	-	-	-	4032	4545	5777	7332	8931	
			90°F (32°C)	-	-	-	-	3603	4078	5203	6520	8048	
			100°F (38°C)	-	-	-	-	3136	3575	4595	5777	7135	
			110°F (43°C)	-	-	-	-	2631	3038	3955	5003	-	
31-UNE0033MGE-A11A	1/3		80°F (27°C)	-	-	-	-	1779	1953	2443	3131	4099	
			90°F (32°C)	-	-	-	-	1603	1761	2204	2828	3704	
			100°F (38°C)	-	-	-	-	1418	1560	1957	2516	3299	
			110°F (43°C)	-	-	-	-	1224	1351	1703	2195	2885	
31-UNE0033MGE-A21A			1/3	80°F (27°C)	-	-	-	-	1779	1953	2443	3131	4099
				90°F (32°C)	-	-	-	-	1603	1761	2204	2828	3704
				100°F (38°C)	-	-	-	-	1418	1560	1957	2516	3299
				110°F (43°C)	-	-	-	-	1224	1351	1703	2195	2885
31-UNE0033MGE-A22A		1/3		80°F (27°C)	-	-	-	-	1779	1953	2443	3131	4099
				90°F (32°C)	-	-	-	-	1603	1761	2204	2828	3704
				100°F (38°C)	-	-	-	-	1418	1560	1957	2516	3299
				110°F (43°C)	-	-	-	-	1224	1351	1703	2195	2885

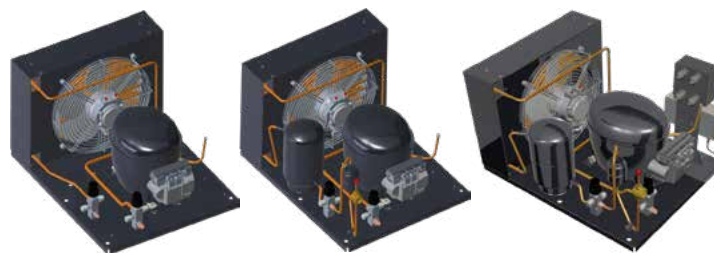
### CDU Version

Bare
Plus
Ultimate
Ultimate Compact
Customized

### Mec/Elec

11
21
22
32
99

Electrical Specifications								
Condensing Unit Item ID	Compressor Model	Volts-Phase-Hertz	Compressor			Cond. Unit		Wiring Diagram Reference
			LRA	RLA	Fan Motor FLA	MCA	Max. Fuse	
31-UNTOMGE-A11A	NEU6181GK	115-127V/1/60Hz	31	6	0.8	8.3	15	2196097
31-UNE0033MGE-A11A	NEU6210GK	115-127V/1/60Hz	39	6.85	0.8	9.3625	20	2196097
31-UNE0033MGE-A21A	NEU6210GK	115-127V/1/60Hz	39	6.85	0.8	9.3625	20	2196097
31-UNE0033MGE-A22A	NEU6210GK	115-127V/1/60Hz	39	6.85	0.8	9.3625	20	2196097



Bare Style

Plus Style

Ultimate Style

## R404A, R448A, R449A, R452A Condensing Units

Performance Specifications												
Condensing Unit Item ID	HP	App.	Ambient Temp. °F (°C)	Capacity (Btu/h) / Evap Temp °F (°C)								
				-40°F (-40°C)	-30°F (-34°C)	-20°F (-29°C)	-10°F (-23°C)	-5°F (-20°C)	0°F (-18°C)	10°F (-12°C)	20°F (-6°C)	30°F (-1°C)
31-UNE0033LGE-A21A	1/3	LBP	80°F (27°C)	894	1187	1522	1910	2124	2337	2802	-	-
			90°F (32°C)	802	1075	1387	1748	1946	2144	2573	-	-
			100°F (38°C)	711	964	1253	1586	1768	1949	2343	-	-
			110°F (43°C)	621	853	1118	1423	1589	1754	2110	-	-
31-UNE0033LGE-A22A			80°F (27°C)	894	1187	1522	1910	2124	2337	2802	-	-
			90°F (32°C)	802	1075	1387	1748	1946	2144	2573	-	-
			100°F (38°C)	711	964	1253	1586	1768	1949	2343	-	-
			110°F (43°C)	621	853	1118	1423	1589	1754	2110	-	-
31-UNE0033LGB-A21A			80°F (27°C)	921	1222	1574	1982	2202	2421	2882	-	-
			90°F (32°C)	832	1106	1427	1797	1996	2195	2612	-	-
			100°F (38°C)	740	988	1277	1611	1789	1968	2341	-	-
			110°F (43°C)	676	909	1181	1496	1664	1833	-	-	-
31-UNE0033LGB-A22A	80°F (27°C)	921	1222	1574	1982	2202	2421	2882	-	-		
	90°F (32°C)	832	1106	1427	1797	1996	2195	2612	-	-		
	100°F (38°C)	740	988	1277	1611	1789	1968	2341	-	-		
	110°F (43°C)	676	909	1181	1496	1664	1833	-	-	-		

### CDU Version

Bare
Plus
Ultimate
Ultimate Compact
Customized

### Mec/Elec

11
21
22
32
99



## Electrical Specifications

Condensing Unit Item ID	Compressor Model	Volts-Phase-Hertz	Compressor		Fan Motor FLA	Cond. Unit		Wiring Diagram Reference
			LRA	RLA		MCA	Max. Fuse	
31-UNE0033LGE-A21A	NEU2140GK	115-127V/1/60Hz	30	5.39	0.53	7.2675	15	2196097
31-UNE0033LGE-A22A	NEU2140GK	115-127V/1/60Hz	30	5.39	0.53	7.2675	15	2196097
31-UNE0033LGB-A21A	NEU2140GK	208-230V/1/60Hz	18	2.8	0.53	4.03	10	2196098
31-UNE0033LGB-A22A	NEU2140GK	208-230V/1/60Hz	18	2.8	0.53	4.03	10	2196098



Plus Style

Ultimate Style

## R404A, R448A, R449A, R452A Condensing Units

Performance Specifications												
Condensing Unit Item ID	HP	App.	Ambient Temp. °F (°C)	Capacity (Btu/h) / Evap Temp °F (°C)								
				-40°F (-40°C)	-30°F (-34°C)	-20°F (-29°C)	-10°F (-23°C)	-5°F (-20°C)	0°F (-18°C)	10°F (-12°C)	20°F (-6°C)	30°F (-1°C)
31-UNE0040MGE-A11A	2/5	MBP	80°F (27°C)	-	-	-	-	2200	2390	2941	3740	4906
			90°F (32°C)	-	-	-	-	1968	2135	2629	3354	4416
			100°F (38°C)	-	-	-	-	1751	1892	2327	2975	3929
			110°F (43°C)	-	-	-	-	1548	1663	2035	2602	3444
31-UNE0040MGE-A21A			80°F (27°C)	-	-	-	-	2200	2390	2941	3740	4906
			90°F (32°C)	-	-	-	-	1968	2135	2629	3354	4416
			100°F (38°C)	-	-	-	-	1751	1892	2327	2975	3929
			110°F (43°C)	-	-	-	-	1548	1663	2035	2602	3444
31-UNE0040MGE-A22A			80°F (27°C)	-	-	-	-	2200	2390	2941	3740	4906
			90°F (32°C)	-	-	-	-	1968	2135	2629	3354	4416
			100°F (38°C)	-	-	-	-	1751	1892	2327	2975	3929
			110°F (43°C)	-	-	-	-	1548	1663	2035	2602	3444

### CDU Version

Bare
Plus
Ultimate
Ultimate Compact
Customized

### Mec/Elec

11
21
22
32
99

Electrical Specifications								
Condensing Unit Item ID	Compressor Model	Volts-Phase-Hertz	Compressor		Fan Motor FLA	Cond. Unit		Wiring Diagram Reference
			LRA	RLA		MCA	Max. Fuse	
31-UNE0040MGE-A11A	NEU6212GK	115-127V/1/60Hz	39	7.2	0.8	9.8	20	2196097
31-UNE0040MGE-A21A	NEU6212GK	115-127V/1/60Hz	39	7.2	0.8	9.8	20	2196097
31-UNE0040MGE-A22A	NEU6212GK	115-127V/1/60Hz	39	7.2	0.8	9.8	20	2196097



Bare Style

Plus Style

Ultimate Style



# R404A, R448A, R449A, R452A Condensing Units

*Ultimate Compacts*

Performance Specifications												
Condensing Unit Item ID	HP	App.	Ambient Temp. °F (°C)	Capacity (Btu/h) / Evap Temp °F (°C)								
				-40°F (-40°C)	-30°F (-34°C)	-20°F (-29°C)	-10°F (-23°C)	-5°F (-20°C)	0°F (-18°C)	10°F (-12°C)	20°F (-6°C)	30°F (-1°C)
31-UNT0050MGD-A32A	1/2	MBP	80°F (27°C)	-	3450	3767	4612	5486	6412	7350	8334	
			90°F (32°C)	-	3198	3490	4267	5069	5917	6776	7675	
			100°F (38°C)	-	2874	3134	3828	4543	5298	6060	6856	
31-UNT00100MGD-A32A			80°F (27°C)	-	5454	5972	7394	8897	10460			
			90°F (32°C)	-	4996	5487	6830	8231	9665			
			100°F (38°C)	-	4422	4885	6139	7430	8727			

**CDU Version**

Bare
Plus
Ultimate
Ultimate Compact
Customized

**Mec/Elec**

11
21
22
32
99

Electrical Specifications									
Condensing Unit Item ID	Compressor Model	Volts-Phase-Hertz	Compressor			Cond. Unit		Wiring Diagram Reference	
			LRA	RLA	Fan Motor FLA	MCA	Max. Fuse		
31-UNT0050MGD-A32A	NNT6220GKV	208-230V/1PH/60Hz	54.5	12.58	1.06	16.8	30	2196102	
31-UNT00100MGD-A32A	NTU6232GKV	208-230V/1PH/60Hz	93	17	1.6	22.9	40	2196104	



Plus Style

Ultimate Style

## R404A, R448A, R449A, R452A Condensing Units

Performance Specifications													
Condensing Unit Item ID	HP	App.	Ambient Temp. °F (°C)	Capacity (Btu/h) / Evap Temp °F (°C)									
				-40°F (-40°C)	-30°F (-34°C)	-20°F (-29°C)	-10°F (-23°C)	-5°F (-20°C)	0°F (-18°C)	10°F (-12°C)	20°F (-6°C)	30°F (-1°C)	
31-UNE0060LGE-A21A	3/5	LBP	80°F (27°C)	1375	1837	2380	3017	3372	3726	4502	-	-	
			90°F (32°C)	1241	1666	2164	2749	3074	3398	4106	-	-	
			100°F (38°C)	1108	1494	1947	2480	2774	3068	3707	-	-	
			110°F (43°C)	975	1323	1731	2210	2473	2737	3306	-	-	
80°F (27°C)			1375	1837	2380	3017	3372	3726	4502	-	-		
90°F (32°C)			1241	1666	2164	2749	3074	3398	4106	-	-		
100°F (38°C)			1108	1494	1947	2480	2774	3068	3707	-	-		
110°F (43°C)			975	1323	1731	2210	2473	2737	3306	-	-		
31-UNE0060LGE-A22A		LBP	80°F (27°C)	1479	1954	2518	3183	3550	3917	4711	-	-	
			90°F (32°C)	1350	1786	2300	2906	3240	3573	4292	-	-	
			100°F (38°C)	1213	1611	2078	2625	2925	3225	3869	-	-	
			110°F (43°C)	1070	1430	1850	2339	2606	2873	3442	-	-	
31-UNE0060LGD-A21A			LBP	80°F (27°C)	1479	1954	2518	3183	3550	3917	4711	-	-
				90°F (32°C)	1350	1786	2300	2906	3240	3573	4292	-	-
				100°F (38°C)	1213	1611	2078	2625	2925	3225	3869	-	-
				110°F (43°C)	1070	1430	1850	2339	2606	2873	3442	-	-
31-UNE0060LGD-A22A	LBP	80°F (27°C)		1479	1954	2518	3183	3550	3917	4711	-	-	
		90°F (32°C)		1350	1786	2300	2906	3240	3573	4292	-	-	
		100°F (38°C)		1213	1611	2078	2625	2925	3225	3869	-	-	
		110°F (43°C)		1070	1430	1850	2339	2606	2873	3442	-	-	

### CDU Version

Bare
Plus
Ultimate
Ultimate Compact
Customized

### Mec/Elec

11
21
22
32
99

## Electrical Specifications

Condensing Unit Item ID	Compressor Model	Volts-Phase-Hertz	Compressor		Fan Motor FLA	Cond. Unit		Wiring Diagram Reference
			LRA	RLA		MCA	Max. Fuse	
31-UNE0060LGE-A21A	NEU2168GK	115-127V/1/60Hz	49	7.5	0.8	10.175	20	2196099
31-UNE0060LGE-A22A	NEU2168GK	115-127V/1/60Hz	49	7.5	0.8	10.175	20	2196099
31-UNE0060LGD-A21A	NEU2168GK	208-230V/1/60Hz	29	4.2	0.8	6.05	10	2196100
31-UNE0060LGD-A22A	NEU2168GK	208-230V/1/60Hz	29	4.2	0.8	6.05	10	2196100



Plus Style

Ultimate Style

## R404A, R448A, R449A, R452A Condensing Units

### Performance Specifications

Condensing Unit Item ID	HP	App.	Ambient Temp. °F (°C)	Capacity (Btu/h) / Evap Temp °F (°C)												
				-40°F (-40°C)	-30°F (-34°C)	-20°F (-29°C)	-10°F (-23°C)	-5°F (-20°C)	0°F (-18°C)	10°F (-12°C)	20°F (-6°C)	30°F (-1°C)				
31-UNE0060MGE-A21A	3/5	MBP	80°F (27°C)	-	-	-	-	3174	3493	4323	5406	6829				
			90°F (32°C)	-	-	-	-	2907	3199	3961	4958	6270				
			100°F (38°C)	-	-	-	-	2638	2902	3594	4502	5699				
			110°F (43°C)	-	-	-	-	2366	2600	3221	4038	-				
31-UNE0060MGE-A22A			3/5	MBP	80°F (27°C)	-	-	-	-	3174	3493	4323	5406	6829		
					90°F (32°C)	-	-	-	-	2907	3199	3961	4958	6270		
					100°F (38°C)	-	-	-	-	2638	2902	3594	4502	5699		
					110°F (43°C)	-	-	-	-	2366	2600	3221	4038	-		
31-UNE0060MGD-A21A					3/5	MBP	80°F (27°C)	-	-	-	-	2969	3307	4147	5180	6450
							90°F (32°C)	-	-	-	-	2688	2991	3750	4685	5835
							100°F (38°C)	-	-	-	-	2407	2676	3351	4186	5212
							110°F (43°C)	-	-	-	-	2127	2360	2950	3682	4580
31-UNE0060MGD-A22A	3/5	MBP					80°F (27°C)	-	-	-	-	2969	3307	4147	5180	6450
							90°F (32°C)	-	-	-	-	2688	2991	3750	4685	5835
							100°F (38°C)	-	-	-	-	2407	2676	3351	4186	5212
							110°F (43°C)	-	-	-	-	2127	2360	2950	3682	4580





Electrical Specifications									
Condensing Unit Item ID	Compressor Model	Volts-Phase-Hertz	Compressor		Fan Motor FLA	Cond. Unit		Wiring Diagram Reference	
			LRA	RLA		MCA	Max. Fuse		
31-UNE0060MGE-A21A	NEU6215GK	115-127V/1/60Hz	47	11.49	0.8	15.1625	30	2196099	
31-UNE0060MGE-A22A	NEU6215GK	115-127V/1/60Hz	47	11.49	0.8	15.1625	30	2196099	
31-UNE0060MGD-A21A	NEU6215GK	208-230V/1/60Hz	34	6.27	0.8	8.6375	15	2196100	
31-UNE0060MGD-A22A	NEU6215GK	208-230V/1/60Hz	34	6.27	0.8	8.6375	15	2196100	



Plus Style

Ultimate Style

## R404A, R448A, R449A, R452A Condensing Units

Performance Specifications															
Condensing Unit Item ID	HP	App.	Ambient Temp. °F (°C)	Capacity (Btu/h) / Evap Temp °F (°C)											
				-40°F (-40°C)	-30°F (-34°C)	-20°F (-29°C)	-10°F (-23°C)	-5°F (-20°C)	0°F (-18°C)	10°F (-12°C)	20°F (-6°C)	30°F (-1°C)			
31-UNT0065MGG-A21A	5/8	MBP	80°F (27°C)	-	-	-	-	3242	3689	4742	5953	7327			
			90°F (32°C)	-	-	-	-	2849	3254	4209	5306	6548			
			100°F (38°C)	-	-	-	-	2461	2823	3677	4657	5765			
			110°F (43°C)	-	-	-	-	2079	2397	3148	4011	4980			
80°F (27°C)			-	-	-	-	3242	3689	4742	5953	7327				
90°F (32°C)			-	-	-	-	2849	3254	4209	5306	6548				
100°F (38°C)			-	-	-	-	2461	2823	3677	4657	5765				
110°F (43°C)			-	-	-	-	2079	2397	3148	4011	4980				
31-UNT0065MGG-A22A		5/8	MBP	80°F (27°C)	-	-	-	-	3311	3740	4761	5952	7319		
				90°F (32°C)	-	-	-	-	2968	3360	4288	5365	6596		
				100°F (38°C)	-	-	-	-	2606	2962	3798	4762	5855		
				110°F (43°C)	-	-	-	-	2225	2547	3291	4141	5096		
31-UNT0065MGD-A21A				5/8	MBP	80°F (27°C)	-	-	-	-	3311	3740	4761	5952	7319
						90°F (32°C)	-	-	-	-	2968	3360	4288	5365	6596
						100°F (38°C)	-	-	-	-	2606	2962	3798	4762	5855
						110°F (43°C)	-	-	-	-	2225	2547	3291	4141	5096
31-UNT0065MGD-A22A	5/8		MBP			80°F (27°C)	-	-	-	-	3311	3740	4761	5952	7319
						90°F (32°C)	-	-	-	-	2968	3360	4288	5365	6596
						100°F (38°C)	-	-	-	-	2606	2962	3798	4762	5855
						110°F (43°C)	-	-	-	-	2225	2547	3291	4141	5096

### CDU Version

Bare
Plus
Ultimate
Ultimate Compact
Customized

### Mec/Elec

11
21
22
32
99

Electrical Specifications								
Condensing Unit Item ID	Compressor Model	Volts-Phase-Hertz	Compressor		Fan Motor FLA	Cond. Unit		Wiring Diagram Reference
			LRA	RLA		MCA	Max. Fuse	
31-UNT0065MGG-A21A	NT6220GKV	115V/1/60Hz	54.5	12.58	0.8	16.525	30	2196099
31-UNT0065MGG-A22A	NT6220GKV	115V/1/60Hz	54.5	12.58	0.8	16.525	30	2196099
31-UNT0065MGD-A21A	NNT6220GKV	208-230V/1/60Hz	26.5	5.15	0.8	7.2375	15	2196100
31-UNT0065MGD-A21A	NNT6220GKV	208-230V/1/60Hz	26.5	5.15	0.8	7.2375	15	2196100



Plus Style

Ultimate Style

[www.alltemp.ca](http://www.alltemp.ca)

## R404A, R448A, R449A, R452A Condensing Units

Performance Specifications												
Condensing Unit Item ID	HP	App.	Ambient Temp. °F (°C)	Capacity (Btu/h) / Evap Temp °F (°C)								
				-40°F (-40°C)	-30°F (-34°C)	-20°F (-29°C)	-10°F (-23°C)	-5°F (-20°C)	0°F (-18°C)	10°F (-12°C)	20°F (-6°C)	30°F (-1°C)
31-UNT0090LGE-A21A	7/8	LBP	80°F (27°C)	1811	2480	3260	4152	4626	5100	6078	-	-
			90°F (32°C)	1613	2221	2928	3738	4168	4597	5480	-	-
			100°F (38°C)	1413	1959	2596	3325	3710	4096	4885	-	-
			110°F (43°C)	1210	1697	2265	2914	3255	3597	4293	-	-
31-UNT0090LGE-A22A			80°F (27°C)	1811	2480	3260	4152	4626	5100	6078	-	-
			90°F (32°C)	1613	2221	2928	3738	4168	4597	5480	-	-
			100°F (38°C)	1413	1959	2596	3325	3710	4096	4885	-	-
			110°F (43°C)	1210	1697	2265	2914	3255	3597	4293	-	-
31-UNT0090LGD-A21A			80°F (27°C)	1810	2442	3206	4101	4579	5057	6034	-	-
			90°F (32°C)	1645	2215	2899	3698	4125	4552	5421	-	-
			100°F (38°C)	1453	1967	2578	3287	3664	4042	4809	-	-
			110°F (43°C)	1236	1702	2244	2868	3199	3530	4199	-	-
31-UNT0090LGD-A22A			80°F (27°C)	1810	2442	3206	4101	4579	5057	6034	-	-
			90°F (32°C)	1645	2215	2899	3698	4125	4552	5421	-	-
			100°F (38°C)	1453	1967	2578	3287	3664	4042	4809	-	-
			110°F (43°C)	1236	1702	2244	2868	3199	3530	4199	-	-

### CDU Version

Bare
Plus
Ultimate
Ultimate Compact
Customized

### Mec/Elec

11
21
22
32
99

## Electrical Specifications

Condensing Unit Item ID	Compressor Model	Volts-Phase-Hertz	Compressor		Fan Motor FLA	Cond. Unit		Wiring Diagram Reference
			LRA	RLA		MCA	Max. Fuse	
31-UNT0090LGE-A21A	NT2180GK	115-127V/1/60Hz	66	13	0.8	17.05	30	2196099
31-UNT0090LGE-A22A	NT2180GK	115-127V/1/60Hz	66	13	0.8	17.05	30	2196099
31-UNT0090LGD-A21A	NT2180GK	208-230V/1/60Hz	40	6	0.8	8.3	15	2196100
31-UNT0090LGD-A22A	NT2180GK	208-230V/1/60Hz	40	6	0.8	8.3	15	2196100



Plus Style

Ultimate Style

## R404A, R448A, R449A, R452A Condensing Units

Performance Specifications																
Condensing Unit Item ID	HP	App.	Ambient Temp. °F (°C)	Capacity (Btu/h) / Evap Temp °F (°C)												
				-40°F (-40°C)	-30°F (-34°C)	-20°F (-29°C)	-10°F (-23°C)	-5°F (-20°C)	0°F (-18°C)	10°F (-12°C)	20°F (-6°C)	30°F (-1°C)				
31-UNT0075MGG-A21A	3/4	MBP	80°F (27°C)	-	-	-	-	4230	4831	6201	7745	9499				
			90°F (32°C)	-	-	-	-	3738	4285	5550	6984	8616				
			100°F (38°C)	-	-	-	-	3304	3790	4937	6250	7747				
			110°F (43°C)	-	-	-	-	2932	3350	4364	-	-				
31-UNT0075MGG-A22A			3/4	MBP	80°F (27°C)	-	-	-	-	4230	4831	6201	7745	9499		
					90°F (32°C)	-	-	-	-	3738	4285	5550	6984	8616		
					100°F (38°C)	-	-	-	-	3304	3790	4937	6250	7747		
					110°F (43°C)	-	-	-	-	2932	3350	4364	-	-		
31-UNT0075MGD-A21A					3/4	MBP	80°F (27°C)	-	-	-	-	4032	4545	5777	7232	8931
							90°F (32°C)	-	-	-	-	3603	4078	5203	6520	8048
							100°F (38°C)	-	-	-	-	3136	3575	4595	5777	7135
							110°F (43°C)	-	-	-	-	2631	3036	3955	5003	-
31-UNT0075MGD-A22A	3/4	MBP					80°F (27°C)	-	-	-	-	4032	4545	5777	7232	8931
							90°F (32°C)	-	-	-	-	3603	4078	5203	6520	8048
							100°F (38°C)	-	-	-	-	3136	3575	4595	5777	7135
							110°F (43°C)	-	-	-	-	2631	3036	3955	5003	-

### CDU Version

Bare
Plus
Ultimate
Ultimate Compact
Customized

### Mec/Elec

11
21
22
32
99

Electrical Specifications									
Condensing Unit Item ID	Compressor Model	Volts-Phase-Hertz	Compressor		Fan Motor FLA	Cond. Unit		Wiring Diagram Reference	
			LRA	RLA		MCA	Max. Fuse		
31-UNT0075MGG-A21A	NT6222GKV	115V/1/60Hz	70	14.6	0.8	19.05	35	2196099	
31-UNT0075MGG-A22A	NT6222GKV	115V/1/60Hz	70	14.6	0.8	19.05	35	2196099	
31-UNT0075MGD-A21A	NT6222GKV	208-230V/1/60Hz	33.7	8.02	0.8	10.825	20	2196100	
31-UNT0075MGD-A22A	NT6222GKV	208-230V/1/60Hz	33.7	8.02	0.8	10.825	20	2196100	



Plus Style

Ultimate Style

## R404A, R448A, R449A, R452A Condensing Units

Performance Specifications													
Condensing Unit Item ID	HP	App.	Ambient Temp. °F (°C)	Capacity (Btu/h) / Evap Temp °F (°C)									
				-40°F (-40°C)	-30°F (-34°C)	-20°F (-29°C)	-10°F (-23°C)	-5°F (-20°C)	0°F (-18°C)	10°F (-12°C)	20°F (-6°C)	30°F (-1°C)	
31-UNE0075LGE-A21A	3/4	LBP	80°F (27°C)	1566	2085	2690	3392	3777	4161	4990	-	-	
			90°F (32°C)	1417	1893	2448	3092	3443	3795	4548	-	-	
			100°F (38°C)	1270	1702	2206	2790	3108	3426	4104	-	-	
			110°F (43°C)	1124	1512	1964	2488	2772	3055	3657	-	-	
80°F (27°C)			1566	2085	2690	3392	3777	4161	4990	-	-		
90°F (32°C)			1417	1893	2448	3092	3443	3795	4548	-	-		
100°F (38°C)			1270	1702	2206	2790	3108	3426	4104	-	-		
110°F (43°C)			1124	1512	1964	2488	2772	3055	3657	-	-		
31-UNE0075LGE-A22A		LBP	80°F (27°C)	1548	2067	2674	3383	3772	4162	5002	-	-	
			90°F (32°C)	1403	1879	2435	3084	3440	3795	4559	-	-	
			100°F (38°C)	1257	1690	2195	2784	3105	3426	4113	-	-	
			110°F (43°C)	1112	1501	1955	2482	2769	3055	3664	-	-	
31-UNE0075LGD-A21A			LBP	80°F (27°C)	1548	2067	2674	3383	3772	4162	5002	-	-
				90°F (32°C)	1403	1879	2435	3084	3440	3795	4559	-	-
				100°F (38°C)	1257	1690	2195	2784	3105	3426	4113	-	-
				110°F (43°C)	1112	1501	1955	2482	2769	3055	3664	-	-
31-UNE0075LGD-A22A	LBP	80°F (27°C)		1548	2067	2674	3383	3772	4162	5002	-	-	
		90°F (32°C)		1403	1879	2435	3084	3440	3795	4559	-	-	
		100°F (38°C)		1257	1690	2195	2784	3105	3426	4113	-	-	
		110°F (43°C)		1112	1501	1955	2482	2769	3055	3664	-	-	

### CDU Version

Bare
Plus
Ultimate
Ultimate Compact
Customized

### Mec/Elec

11
21
22
32
99



## Electrical Specifications

Condensing Unit Item ID	Compressor Model	Volts-Phase-Hertz	Compressor		Fan Motor FLA	Cond. Unit		Wiring Diagram Reference
			LRA	RLA		MCA	Max. Fuse	
31-UNE0075LGE-A21A	NEU2178GK	115-127V/1/60Hz	53	9.3	0.8	12.425	25	2196099
31-UNE0075LGE-A22A	NEU2178GK	115-127V/1/60Hz	53	9.3	0.8	12.425	25	2196099
31-UNE0075LGD-A21A	NEU2178GK	208-230V/1/60Hz	29	4.7	0.8	6.675	15	2196100
31-UNE0075LGD-A22A	NEU2178GK	208-230V/1/60Hz	29	4.7	0.8	6.675	15	2196100



Plus Style

Ultimate Style

## R404A, R448A, R449A, R452A Condensing Units

*Ultimate Compacts*

Performance Specifications												
Condensing Unit Item ID	HP	App.	Ambient Temp. °F (°C)	Capacity (Btu/h) / Evap Temp °F (°C)								
				-40°F (-40°C)	-30°F (-34°C)	-20°F (-29°C)	-10°F (-23°C)	-5°F (-20°C)	0°F (-18°C)	10°F (-12°C)	20°F (-6°C)	30°F (-1°C)
31-UNT0050MGG-A32A	1	MBP	80°F (27°C)	-	3379	3699	4579	5516	6515	7509	8498	-
			90°F (32°C)	-	3085	3383	4199	5064	5983	6891	7787	
			100°F (38°C)	-	2738	3009	3750	4532	5357	6164		
31-UNT00100MGG-A32A			80°F (27°C)	-	5675	6187	7569	9028	10611			
			90°F (32°C)	-	5198	5677	6969	8330	9801			
			100°F (38°C)	-	4616	5053	6232	7470	8802			

### CDU Version

Bare
Plus
Ultimate
Ultimate Compact
Customized

### Mec/Elec

11
21
22
32
99

Electrical Specifications									
Condensing Unit Item ID	Compressor Model	Volts-Phase-Hertz	Compressor			Cond. Unit			Wiring Diagram Reference
			LRA	RLA	Fan Motor FLA	MCA	Max. Fuse		
31-UNT0050MGG-A32A	NT6220GKV	115V/1/60Hz	29	4.2	0.54	5.8	10	2196104	
31-UNT00100MGG-A32A	NTU6232GKV	115V/1/60Hz	46	7.7	0.8	10.4	20	216104	



Plus Style

Ultimate Style

## R404A, R448A, R449A, R452A Condensing Units

Performance Specifications												
Condensing Unit Item ID	HP	App.	Ambient Temp. °F (°C)	Capacity (Btu/h) / Evap Temp °F (°C)								
				-40°F (-40°C)	-30°F (-34°C)	-20°F (-29°C)	-10°F (-23°C)	-5°F (-20°C)	0°F (-18°C)	10°F (-12°C)	20°F (-6°C)	30°F (-1°C)
31-UNT0100LGG-A21A	1	LBP	80°F (27°C)	1863	2550	3344	4245	4722	5198	6180	-	-
			90°F (32°C)	1665	2278	2996	3816	4250	4683	5576	-	-
			100°F (38°C)	1485	2020	2661	3397	3787	4177	4979	-	-
			110°F (43°C)	1328	1780	2339	2990	3335	3681	4388	-	-
80°F (27°C)			1863	2550	3344	4245	4722	5198	6180	-	-	
90°F (32°C)			1665	2278	2996	3816	4250	4683	5576	-	-	
100°F (38°C)			1485	2020	2661	3397	3787	4177	4979	-	-	
110°F (43°C)			1328	1780	2339	2990	3335	3681	4388	-	-	
31-UNT0100LGD-A21A		LBP	80°F (27°C)	1980	2643	3425	4326	4805	5283	6264	-	-
			90°F (32°C)	1791	2387	3090	3900	4330	4761	5640	-	-
			100°F (38°C)	1591	2123	2750	3472	3855	4238	5018	-	-
			110°F (43°C)	1381	1853	2407	3044	3380	3716	4399	-	-
31-UNT0100LGD-A22A	LBP		80°F (27°C)	1980	2643	3425	4326	4805	5283	6264	-	-
			90°F (32°C)	1791	2387	3090	3900	4330	4761	5640	-	-
			100°F (38°C)	1591	2123	2750	3472	3855	4238	5018	-	-
			110°F (43°C)	1381	1853	2407	3044	3380	3716	4399	-	-

### CDU Version

Bare
Plus
Ultimate
Ultimate Compact
Customized

### Mec/Elec

11
21
22
32
99

Electrical Specifications								
Condensing Unit Item ID	Compressor Model	Volts-Phase-Hertz	Compressor		Fan Motor FLA	Cond. Unit		Wiring Diagram Reference
			LRA	RLA		MCA	Max. Fuse	
31-UNT0100LGG-A21A	NT2192GK	115V/1/60Hz	56	15	0.8	19.55	35	2196099
31-UNT0100LGG-A22A	NT2192GK	115V/1/60Hz	56	15	0.8	19.55	35	2196099
31-UNT0100LGD-A21A	NT2192GK	208-230V/1/60Hz	40	6	0.8	8.3	15	2196100
31-UNT0100LGD-A22A	NT2192GK	208-230V/1/60Hz	40	6	0.8	8.3	15	2196100



Plus Style

Ultimate Style

## R404A, R448A, R449A, R452A Condensing Units

Performance Specifications												
Condensing Unit Item ID	HP	App.	Ambient Temp. °F (°C)	Capacity (Btu/h) / Evap Temp °F (°C)								
				-40°F (-40°C)	-30°F (-34°C)	-20°F (-29°C)	-10°F (-23°C)	-5°F (-20°C)	0°F (-18°C)	10°F (-12°C)	20°F (-6°C)	30°F (-1°C)
31-UNT0100MGG-A21A	1	LBP	80°F (27°C)	-	-	-	-	5564	6275	7937	9861	12088
			90°F (32°C)	-	-	-	-	4927	5585	7114	8874	10900
			100°F (38°C)	-	-	-	-	4271	4877	6270	7864	9686
			110°F (43°C)	-	-	-	-	3599	4152	5409	6834	8447
31-UNT0100MGG-A22A			80°F (27°C)	-	-	-	-	5564	6275	7937	9861	12088
			90°F (32°C)	-	-	-	-	4927	5585	7114	8874	10900
			100°F (38°C)	-	-	-	-	4271	4877	6270	7864	9686
			110°F (43°C)	-	-	-	-	3599	4152	5409	6834	8447
31-UNT0100MGD-A21A			80°F (27°C)	-	-	-	-	5225	5956	7638	9538	11654
			90°F (32°C)	-	-	-	-	4677	5361	6918	8664	10594
			100°F (38°C)	-	-	-	-	4092	4731	6164	7753	9495
			110°F (43°C)	-	-	-	-	3473	4066	5374	6805	8534
31-UNT0100MGD-A22A			80°F (27°C)	-	-	-	-	5225	5956	7638	9538	11654
			90°F (32°C)	-	-	-	-	4677	5361	6918	8664	10594
			100°F (38°C)	-	-	-	-	4092	4731	6164	7753	9495
			110°F (43°C)	-	-	-	-	3473	4066	5374	6805	8354

### CDU Version

Bare
Plus
Ultimate
Ultimate Compact
Customized

### Mec/Elec

11
21
22
32
99

Electrical Specifications								
Condensing Unit Item ID	Compressor Model	Volts-Phase-Hertz	Compressor		Fan Motor FLA	Cond. Unit		Wiring Diagram Reference
			LRA	RLA		MCA	Max. Fuse	
31-UNT0100MGG-A21A	NT6222GKV	115V/1/60Hz	46	7.7	0.81	10.435	20	2196100
31-UNT0100MGG-A22A	NT6222GKV	115V/1/60Hz	46	7.7	0.81	10.435	20	2196100
31-UNT0100MGD-A21A	NTU6232GKV	208-230V/1/60Hz	93	17	0.81	22.06	40	2196099
31-UNT0100MGD-A22A	NTU6232GKV	208-230V/1/60Hz	93	17	0.81	22.06	40	2196099



Plus Style

Ultimate Style

[www.alltemp.ca](http://www.alltemp.ca)

## R404A, R448A, R449A, R452A Condensing Units

### Performance Specifications

Condensing Unit Item ID	HP	App.	Ambient Temp. °F (°C)	Capacity (Btu/h) / Evap Temp °F (°C)										
				-40°F (-40°C)	-30°F (-34°C)	-20°F (-29°C)	-10°F (-23°C)	-5°F (-20°C)	0°F (-18°C)	10°F (-12°C)	20°F (-6°C)	30°F (-1°C)		
31-UNT0125LGD-A21A	1 1/4	LBP	80°F (27°C)	2440	3267	4171	5165	5685	6206	7287	-	-		
			90°F (32°C)	2136	2900	3738	4658	5138	5617	6606	-	-		
			100°F (38°C)	1855	2551	3319	4162	4598	5035	-	-	-		
			110°F (43°C)	1600	2223	2916	3677	-	-	-	-	-		
31-UNT0125LGD-A22A			1 1/4	LBP	80°F (27°C)	2440	3267	4171	5165	5685	6206	7287	-	-
					90°F (32°C)	2136	2900	3738	4658	5138	5617	6606	-	-
					100°F (38°C)	1855	2551	3319	4162	4598	5035	-	-	-
					110°F (43°C)	1600	2223	2916	3677	-	-	-	-	-
31-UNT0140MGD-A21A	1 2/5	MBP			80°F (27°C)	-	-	-	-	7648	8521	10620	13119	16102
					90°F (32°C)	-	-	-	-	6787	7572	9468	11729	14424
					100°F (38°C)	-	-	-	-	5936	6632	8320	10336	12737
					110°F (43°C)	-	-	-	-	5099	5704	7180	8946	-
31-UNT0140MGD-A22A			1 2/5	MBP	80°F (27°C)	-	-	-	-	7648	8521	10620	13119	16102
					90°F (32°C)	-	-	-	-	6787	7572	9468	11729	14424
					100°F (38°C)	-	-	-	-	5936	6632	8320	1036	12737
					110°F (43°C)	-	-	-	-	5099	5704	7180	8946	-

#### CDU Version

Bare
Plus
Ultimate
Ultimate Compact
Customized

#### Mec/Elec

11
21
22
32
99



Electrical Specifications								
Condensing Unit Item ID	Compressor Model	Volts-Phase-Hertz	Compressor		Fan Motor FLA	Cond. Unit		Wiring Diagram Reference
			LRA	RLA		MCA	Max. Fuse	
31-UNT0125LGD-A21A	NT2212GK	208-230V/1/60Hz	45	8	0.8	10.8	20	2196100
31-UNT0125LGD-A22A	NT2212GK	208-230V/1/60Hz	45	8	0.8	10.8	20	2196100
31-UNT0140MGD-A21A	NTU6232GKV	208-230V/1/60Hz	51	11	0.81	14.56	25	2196100
31-UNT0140MGD-A22A	NTU6232GKV	208-230V/1/60Hz	51	11	0.81	14.56	25	2196100

**CDU Version**

Bare
Plus
Ultimate
Ultimate Compact
Customized

**Mec/Elec**

11
21
22
32
99

## R404A, R448A, R449A, R452A Parts Breakdown

Condensing Unit Item ID	Application	Compressor Model	Relay	Run Cap	Start Cap	Overload	Suction Valve	Liquid Valve	
31-UNE0020LGG-A11A	LBP	NEK2121GK	2271137	-	2252230	2321153	2110142	2110140	
31-UNE0020LGG-A21A		NEK2121GK	2271137	-	2252230	2321153	2110142	2110140	
31-UNE0020LGG-A22A		NEK2121GK	2271137	-	2252230	2321153	2110142	2110140	
31-UNE0033LGE-A21A		NEU2140GK	2271121	-	2252325	2324009	2110142	2110140	
31-UNE0033LGE-A22A		NEU2140GK	2271121	-	2252325	2324009	2110142	2110140	
31-UNE0033LGB-A21A		NEU2140GK	2271121	-	2252325	2324009	2110142	2110140	
31-UNE0033LGB-A22A		NEU2140GK	2271121	-	2252325	2324009	2110142	2110140	
31-UNE0060LGE-A21A		NEU2168GK	1253069	2253314	2252374	2321157	2110143	2110142	
31-UNE0060LGE-A22A		NEU2168GK	1253069	2253314	2252374	2321157	2110143	2110142	
31-UNE0060LGD-A21A		NEU2168GK	1253069	2253314	2252374	2321157	2110143	2110142	
31-UNE0060LGD-A22A		NEU2168GK	1253069	2253314	2252374	2321157	2110143	2110142	
31-UNE0075LGE-A21A		NEU2178GK	1253069	2253321	2252331	2321159	2110143	2110142	
31-UNE0075LGE-A22A		NEU2178GK	1253069	2253321	2252331	2321159	2110143	2110142	
31-UNE0075LGD-A21A		NEU2178GK	1253069	2253321	2252331	2321159	2110143	2110142	
31-UNE0075LGD-A22A		NEU2178GK	1253069	2253321	2252331	2321159	2110143	2110142	
31-UNT0090LGE-A21A		NT2180GK	1253050	2253315	2252273	2291062	2110143	2110049	
31-UNT0090LGE-A22A		NT2180GK	1253050	2253315	2252273	2291062	2110143	2110049	
31-UNT0090LGD-A21A		NT2180GK	1253050	2253315	2252273	2291062	2110143	2110049	
31-UNT0090LGD-A22A		NT2180GK	1253050	2253315	2252273	2291062	2110143	2110049	
31-UNT0100LGG-A21A		NT2192GK	1253001	2253315	2252273	2295004	2110143	2110049	
31-UNT0100LGG-A22A		NT2192GK	1253001	2253315	2252273	2295004	2110143	2110049	
31-UNT0100LGD-A21A		NT2192GK	1253001	2253315	2252273	2295004	2110143	2110049	
31-UNT0100LGD-A22A		NT2180GK	1253050	2253315	2252273	2291062	2110143	2110049	
31-UNT0125LGD-A21A		NT2212GK	1253019	2253313	2252274	Internal	2110143	2110049	
31-UNT0125LGD-A22A		NT2212GK	1253019	2253313	2252274	Internal	2110143	2110049	
31-UNE0025MGE-A11A		MBP	NEU6181GK	2271156	-	2252324	2324051	2110142	2110140
31-UNE0025MGE-A21A			NEU6181GK	2271156	-	2252324	2324051	2110142	2110140
31-UNE0025MGG-A11A			NEK6152GK	2271126	-	2252282	2324110	2110142	2110140
31-UNE0033MGE-A11A			NEU6210GK	2271116	-	2252324	2324063	2110142	2110140
31-UNE0033MGE-A21A			NEU6210GK	2271116	-	2252324	2324063	2110142	2110140
31-UNE0033MGE-A22A			NEU6210GK	2271116	-	2252324	2324063	2110142	2110140
31-UNE0040MGE-A11A			NEU6212GK	2271116	-	2252324	2324113	2110142	2110140

	Condensing Unit Item ID	Condenser	Fan Motor	Fan Blade	Fan Guard	Filter Drier	Receiver	Sight Glass	Pressure Switch	Power Cord
	31-UNE0020LGG-A11A	2451253	1450118	2455008	2458034	-	-	-	-	2258226
	31-UNE0020LGG-A21A	2451253	1450118	2455008	2458034	2730021	2457070	2464416	-	2258226
	31-UNE0020LGG-A22A	2451253	1450118	2455008	2458034	2730021	2457070	2464416	2466035	2258226
	31-UNE0033LGE-A21A	2451253	1450118	2455008	2458034	2730021	2457070	2464416	-	2258226
	31-UNE0033LGE-A22A	2451253	1450118	2455008	2458034	2730021	2457070	2464416	2466035	2258226
	31-UNE0033LGB-A21A	2451253	1450119	2455008	2458034	2730021	2457070	2464416	-	-
	31-UNE0033LGB-A22A	2451253	1450119	2455008	2458034	2730021	2457070	2464416	2466035	-
	31-UNE0060LGE-A21A	2451255	1450116	2455003	2458035	2730010	2457071	2464417	-	2258071
	31-UNE0060LGE-A22A	2451255	1450116	2455003	2458035	2730010	2457071	2464417	2466035	2258226
	31-UNE0060LGD-A21A	2451255	1450117	2455003	2458035	2730010	2457071	2464417	-	-
	31-UNE0060LGD-A22A	2451255	1450117	2455003	2458035	2730010	2457071	2464417	2466035	-
	31-UNE0075LGE-A21A	2451255	1450116	2455003	2458035	2730010	2457071	2464417	-	2258071
	31-UNE0075LGE-A22A	2451255	1450116	2455003	2458035	2730010	2457071	2464417	2466035	2258226
	31-UNE0075LGD-A21A	2451255	1450117	2455003	2458035	2730010	2457071	2464417	-	-
	31-UNE0075LGD-A22A	2451255	1450117	2455003	2458035	2730010	2457071	2464417	2466035	-
	31-UNT0090LGE-A21A	2451256	1450116	2455003	2458035	2730010	2457036	2464417	-	2258228
	31-UNT0090LGE-A22A	2451256	1450116	2455003	2458035	2730010	2457036	2464417	2466035	2258227
	31-UNT0090LGD-A21A	2451256	1450117	2455003	2458035	2730010	2457036	2464417	-	-
	31-UNT0090LGD-A22A	2451256	1450117	2455003	2458035	2730010	2457036	2464417	2466035	-
	31-UNT0100LGG-A21A	2451256	1450116	2455003	2458035	2730010	2457036	2464417	-	2258228
	31-UNT0100LGG-A22A	2451256	1450116	2455003	2458035	2730010	2457036	2464417	2466035	2258227
	31-UNT0100LGD-A21A	2451256	1450117	2455003	2458035	2730010	2457036	2464417	-	-
	31-UNT0100LGD-A22A	2451256	1450117	2455003	2458035	2730010	2457036	2464417	2466035	-
	31-UNT0125LGD-A21A	2451256	1450117	2455003	2458035	2730010	2457036	2464417	-	-
	31-UNT0125LGD-A22A	2451256	1450117	2455003	2458035	2730010	2457036	2464417	2466035	-
	31-UNE0025MGE-A11A	2451254	1450116	2455003	2458035	-	-	-	-	2258226
	31-UNE0025MGE-A21A	2451254	1450116	2455003	2458035	2730021	2457070	2464416	-	2258226
	31-UNE0025MGG-A11A	2451253	1450118	2455008	2458034	-	-	-	-	2258226
	31-UNE0033MGE-A11A	2451254	1450116	2455003	2458035	-	-	-	-	2258226
	31-UNE0033MGE-A21A	2451254	1450116	2455003	2458035	2730021	2457070	2464416	-	2258226
	31-UNE0033MGE-A22A	2451254	1450116	2455003	2458035	2730021	2457070	2464416	2466035	2258226
	31-UNE0040MGE-A11A	2451254	1450116	2455003	2458035	-	-	-	-	2258226

## R404A, R448A, R449A, R452A Parts Breakdown

Condensing Unit Item ID	Application	Compressor Model	Relay	Run Cap	Start Cap	Overload	Suction Valve	Liquid Valve	
31-UNE0040MGE-A21A	MBP	NEU6212GK	2271116	-	2252324	2324113	2110142	2110140	
31-UNE0040MGE-A22A		NEU6212GK	2271116	-	2252324	2324113	2110142	2110140	
31-UNE0050MGE-A11A		NEU6214GK	1253017	2253313	2252331	2321160	2110143	2110142	
31-UNE0050MGE-A21A		NEU6214GK	1253017	2253313	2252331	2321160	2110142	2110142	
31-UNE0050MGE-A22A		NEU6214GK	1253017	2253313	2252331	2321160	2110143	2110142	
31-UNE0060MGE-A21A		NEU6215GK	1253069	2253314	2252288	2321115	2110143	2110142	
31-UNE0060MGE-A22A		NEU6215GK	1253069	2253314	2252288	2321115	2110143	2110142	
31-UNE0060MGD-A21A		NEU6215GK	1253069	2253314	2252288	2321115	2110143	2110142	
31-UNE0060MGD-A22A		NEU6215GK	1253069	2253314	2252288	2321115	2110143	2110142	
31-UNT0065MGG-A21A		NT6220GKV	1253015	2253310	2252270	2321091	2110143	2110049	
31-UNT0065MGG-A22A		NT6220GKV	1253015	2253310	2252270	2321091	2110143	2110049	
31-UNT0065MGD-A21A		NT6220GKV	1253015	2253310	2252270	2321091	2110143	2110049	
31-UNT0065MGD-A22A		NT6220GKV	1253015	2253310	2252270	2321091	2110143	2110049	
31-UNT0075MGG-A21A		NT6222GKV	1253050	2253315	2252331	Internal	2110143	2110049	
31-UNT0075MGG-A22A		NT6222GKV	1253050	2253315	2252331	Internal	2110143	2110049	
31-UNT0075MGD-A21A		NT6222GKV	1253050	2253315	2252331	Internal	2110143	2110049	
31-UNT0075MGD-A22A		NT6222GKV	1253050	2253315	2252331	Internal	2110143	2110049	
31-UNT0100MGG-A21A		NTU6232GKV	1253015	2253313	2252271	Internal	2110141	2110049	
31-UNT0100MGG-A22A		NTU6232GKV	1253015	2253313	2252271	Internal	2110141	2110049	
31-UNT0100MGD-A21A		NTU6232GKV	1253015	2253313	2252271	Internal	2110141	2110049	
31-UNT0100MGD-A22A		NTU6232GKV	1253015	2253313	2252271	Internal	2110141	2110049	
31-UNT0140MGD-A21A		NTU6240GKV	1253015	2253314	2252271	Internal	2110141	2110049	
31-UNT0140MGD-A22A		NTU6240GKV	1253015	2253314	2252271	Internal	2110141	2110049	
31-UNT0050MGG-A32A		MBP	NT6220GKV	1253015	2253310	2252270	2321091	2110143	2110142
31-UNT0050MGD-A32A			NT6220GKV	1253015	2253310	2252270	2321091	2110143	2110142
31-UNT0100MGG-A32A			NTU6232GKV	1253015	2253313	2252271	Internal	2110141	2110142
31-UNT0100MGD-A32A			NTU6232GKV	1253015	2253313	2252271	Internal	2110141	2110142
31-UNT0125MGD-A32A			NTU6240GKV	1253015	2253314	2252271	Internal	2110141	2110049

Condensing Unit Item ID	Condenser	Fan Motor	Fan Blade	Fan Guard	Filter Drier	Receiver	Sight Glass	Pressure Switch	Power Cord
31-UNE0040MGE-A21A	2451254	1450116	2455003	2458035	2730021	2457070	2464416	-	2258226
31-UNE0040MGE-A22A	2451254	1450116	2455003	2458035	2730021	2457070	2464416	2466035	2258226
31-UNE0050MGE-A11A	2451254	1450116	2455003	2458035	-	-	-	-	2258071
31-UNE0050MGE-A21A	2451254	1450116	2455003	2458035	2730010	2457070	2464417	-	2258071
31-UNE0050MGE-A22A	2451254	1450116	2455003	2458035	2730010	2457070	2464417	2466035	2258226
31-UNE0060MGE-A21A	2451255	1450116	2455003	2458035	2730010	2457071	2464417	-	2258228
31-UNE0060MGE-A22A	2451255	1450116	2455003	2458035	2730010	2457071	2464417	2466035	2258227
31-UNE0060MGD-A21A	2451255	1450117	2455003	2458035	2730010	2457071	2464417	-	-
31-UNE0060MGD-A22A	2451255	1450117	2455003	2458035	2730010	2457071	2464417	2466035	-
31-UNT0065MGG-A21A	2451256	1450116	2455003	2458035	2730010	2457036	2464417	-	2258228
31-UNT0065MGG-A22A	2451256	1450116	2455003	2458035	2730010	2457036	2464417	2466035	2258227
31-UNT0065MGD-A21A	2451256	1450117	2455003	2458035	2730010	2457036	2464417	-	-
31-UNT0065MGD-A22A	2451256	1450117	2455003	2458035	2730010	2457036	2464417	2466035	-
31-UNT0075MGG-A21A	2451256	1450116	2455003	2458035	2730010	2457036	2464417	-	2258228
31-UNT0075MGG-A22A	2451256	1450116	2455003	2458035	2730010	2457036	2464417	2466035	2258227
31-UNT0075MGD-A21A	2451256	1450117	2455003	2458035	2730010	2457036	2464417	-	-
31-UNT0075MGD-A22A	2451256	1450117	2455003	2458035	2730010	2457036	2464417	2466035	-
31-UNT0100MGG-A21A	2451257	1451109			2730010	2457036	2464417	-	2258228
31-UNT0100MGG-A22A	2451257	1451109			2730010	2457036	2464417	2466035	2258227
31-UNT0100MGD-A21A	2451257	1451089			2730010	2457036	2464417	-	-
31-UNT0100MGD-A22A	2451257	1451089			2730010	2457036	2464417	2466035	-
31-UNT0140MGD-A21A	2451257	1451089			2730010	2457036	2464417	-	-
31-UNT0140MGD-A22A	2451257	1451089			2730010	2457036	2464417	2466035	-
31-UNT0050MGG-A32A	2451269	1450118	2455008	2458034	2730010	2457071	2464417	2466035	2258227
31-UNT0050MGD-A32A	2451269	1450119	2455008	2458034	2730010	2457071	2464417	2466035	-
31-UNT0100MGG-A32A	2451270	1450116	2455003	2458035	2730010	2457071	2464417	2466035	2258227
31-UNT0100MGD-A32A	2451270	1450117	2455003	2458035	2730010	2457071	2464417	2466035	-
31-UNT0125MGD-A32A	2451271	1450117	2455003	2458035	2730010	2457036	2464417	2466035	-

## Physical Dimensions

Item ID	Version	Length		Width		Height		Weight	
		(in)	(mm)	(in)	(mm)	(in)	(mm)	(lbs)	(kg)
31-UFF0010XZE-A11A	Bare	18.8	477	11.4	290	10	254	42.2	19.2
31-UFF0010XZE-A21A	Plus	18.8	477	11.4	290	10	254	43.6	19.8
31-UFF0020XZG-A11A	Bare	18.8	477	11.4	290	10	254	42.2	19.2
31-UFF0020XZG-A21A	Plus	18.8	477	11.4	290	10	254	43.6	19.8
31-UFF0025XZE-A11A	Bare	18.8	477	11.4	290	10	254	42.2	19.2
31-UFF0025XZE-A21A	Plus	18.8	477	11.4	290	10	254	43.6	19.8
31-UFF0033XZE-A11A	Bare	18.6	473	15.2	385	12	305	44.9	20.4
31-UFF0033XZE-A21A	Plus	18.6	473	15.2	385	12	305	46.2	21.0
31-UFF0033XZE-A22A	Ultimate	18.6	473	15.2	385	12	305	48.6	22.1
31-UFF0033XZD-A11A	Bare	18.6	473	15.2	385	12	305	44.9	20.4
31-UFF0033XZD-A21A	Plus	18.6	473	15.2	385	12	305	46.2	21.0
31-UFF0033XZD-A22A	Ultimate	18.6	473	15.2	385	12	305	48.6	22.1
31-UNE0045MZE-A21A	Plus	21.7	550	14.8	376.4	11.9	302	46.2	21.0
31-UNE0045MZE-A22A	Ultimate	21.7	550	14.8	376.4	11.9	302	48.6	22.1
31-UNE0045MZB-A21A	Plus	21.7	550	14.8	376.4	11.9	302	46.2	21.0
31-UNE0045MZB-A22A	Ultimate	21.7	550	14.8	376.4	11.9	302	48.6	22.1
31-UNE0050MZE-A21A	Plus	21.7	550	14.8	376.4	11.9	302	46.2	21.0
31-UNE0050MZE-A22A	Ultimate	21.7	550	14.8	376.4	11.9	302	48.6	22.1
31-UNE0050MZD-A21A	Plus	21.7	550	14.8	376.4	11.9	302	46.2	21.0
31-UNE0050MZD-A22A	Ultimate	21.7	550	14.8	376.4	11.9	302	46.2	21.0
31-UNT0060MZG-A21A	Plus	21.7	550	14.8	376.4	11.8	299	56.5	25.7
31-UNT0060MZG-A22A	Ultimate	21.7	550	14.8	376.4	11.8	299	59.0	26.8
31-UNT0060MZD-A21A	Plus	21.7	550	14.8	376.4	11.8	299	56.5	25.7
31-UNT0060MZD-A22A	Ultimate	21.7	550	14.8	376.4	11.8	299	59.0	26.8
31-UNT0100MZG-A21A	Plus	24.0	610	18.4	468.2	16.9	430	69.7	31.7
31-UNT0100MZG-A22A	Ultimate	24.0	610	18.4	468.2	16.9	430	72.2	32.8
31-UNT0100MZD-A21A	Plus	24.0	610	18.4	468.2	16.9	430	66.9	30.4
31-UNT0100MZD-A22A	Ultimate	24.0	610	18.4	468.2	16.9	430	66.9	30.4
31-UNE0020LGG-A11A	Bare	17.7	450	11.7	296.2	10.2	259	40.3	18.3
31-UNE0020LGG-A21A	Plus	17.7	450	11.7	296.2	10.2	259	41.6	18.9
31-UNE0020LGG-A22A	Ultimate	17.7	450	11.7	296.2	10.2	259	44.0	20.0
31-UNE0033LGE-A21A	Plus	17.7	450	11.7	296.2	10.2	259	43.6	19.8
31-UNE0033LGE-A22A	Ultimate	17.7	450	11.7	296.2	10.2	259	46.0	20.9
31-UNE0033LGB-A21A	Plus	17.7	450	11.7	296.2	10.2	259	43.6	19.8
31-UNE0033LGB-A22A	Ultimate	17.7	450	11.7	296.2	10.2	259	46.0	20.9

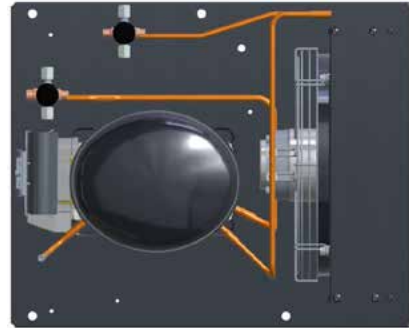
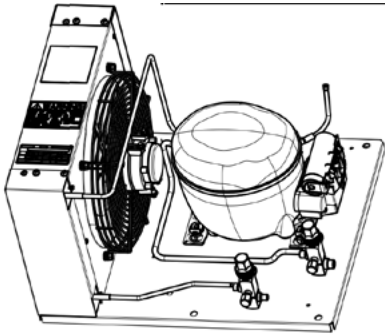
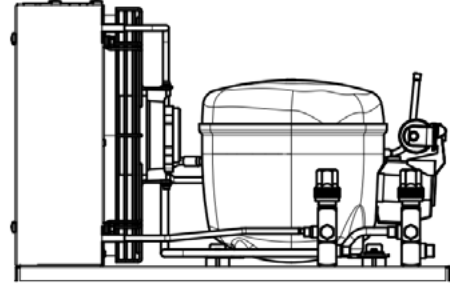
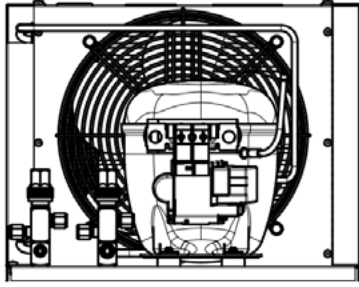
Item ID	Version	Length		Width		Height		Weight	
		(in)	(mm)	(in)	(mm)	(in)	(mm)	(lbs)	(kg)
31-UNE0060LGE-A21A	Plus	21.7	550	14.8	376.4	11.8	299	48.2	21.9
31-UNE0060LGE-A22A	Ultimate	21.7	550	14.8	376.4	11.8	299	50.6	23.0
31-UNE0060LGD-A21A	Plus	21.7	550	14.8	376.4	11.8	299	48.2	21.9
31-UNE0060LGD-A22A	Ultimate	21.7	550	14.8	376.4	11.8	299	50.6	23.0
31-UNE0075LGE-A21A	Plus	21.7	550	14.8	376.4	11.8	299	48.2	21.9
31-UNE0075LGE-A22A	Ultimate	21.7	550	14.8	376.4	11.8	299	50.6	23.0
31-UNE0075LGD-A21A	Plus	21.7	550	14.8	376.4	11.8	299	48.2	21.9
31-UNE0075LGD-A22A	Ultimate	21.7	550	14.8	376.4	11.8	299	50.6	23.0
31-UNT0090LGE-A21A	Plus	21.7	550	14.8	376.4	12.8	324	69.7	31.7
31-UNT0090LGE-A22A	Ultimate	21.7	550	14.8	376.4	12.8	324	72.2	32.8
31-UNT0090LGD-A21A	Plus	21.7	550	14.8	376.4	12.8	324	69.7	31.7
31-UNT0090LGD-A22A	Ultimate	21.7	550	14.8	376.4	12.8	324	72.2	32.8
31-UNT0100LGG-A21A	Plus	21.7	550	14.8	376.4	12.8	324	69.7	31.7
31-UNT0100LGG-A22A	Ultimate	21.7	550	14.8	376.4	12.8	324	72.2	32.8
31-UNT0100LGD-A21A	Plus	21.7	550	14.8	376.4	12.8	324	69.7	31.7
31-UNT0100LGD-A22A	Ultimate	21.7	550	14.8	376.4	12.8	324	69.7	31.7
31-UNT0125LGD-A21A	Plus	21.7	550	14.8	376.4	12.8	324	76.8	34.9
31-UNT0125LGD-A22A	Ultimate	21.7	550	14.8	376.4	12.8	324	79.2	36.0
31-UNE0025MGE-A11A	Bare	21.7	550	14.8	376.4	11.9	302	40.3	18.3
31-UNE0025MGE-A21A	Plus	21.7	550	14.8	376.4	11.9	302	41.6	18.9
31-UNE0025MGG-A11A	Bare	17.7	450	11.7	296.2	10.2	259	35.2	16.0
31-UNE0033MGE-A11A	Bare	21.7	550	14.8	376.4	11.9	302	44.9	20.4
31-UNE0033MGE-A21A	Plus	21.7	550	14.8	376.4	11.9	302	46.2	21.0
31-UNE0033MGE-A22A	Ultimate	21.7	550	14.8	376.4	11.9	302	48.6	22.1
31-UNE0040MGE-A11A	Bare	21.7	550	14.8	376.4	11.9	302	44.9	20.4
31-UNE0040MGE-A21A	Plus	21.7	550	14.8	376.4	11.9	302	46.2	21.0
31-UNE0040MGE-A22A	Ultimate	21.7	550	14.8	376.4	11.9	302	48.6	22.1
31-UNE0050MGE-A11A	Bare	21.7	550	14.8	376.4	11.9	302	44.9	20.4
31-UNE0050MGE-A21A	Plus	21.7	550	14.8	376.4	11.9	302	46.2	21.0
31-UNE0050MGE-A22A	Ultimate	21.7	550	14.8	376.4	11.9	302	48.6	22.1
31-UNE0060MGE-A21A	Plus	21.7	550	14.8	376.4	11.8	299	61.4	27.9
31-UNE0060MGE-A22A	Ultimate	21.7	550	14.8	376.4	11.8	299	63.8	29.0
31-UNE0060MGD-A21A	Plus	21.7	550	14.8	376.4	11.8	299	61.4	27.9
31-UNE0060MGD-A22A	Ultimate	21.7	550	14.8	376.4	11.8	299	63.8	29.0
31-UNT0065MGG-A21A	Plus	21.7	550	14.8	376.4	12.8	324	53.2	24.2
31-UNT0065MGG-A22A	Ultimate	21.7	550	14.8	376.4	12.8	324	55.7	25.3

## Physical Dimensions

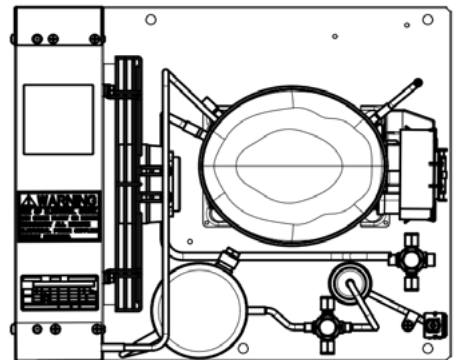
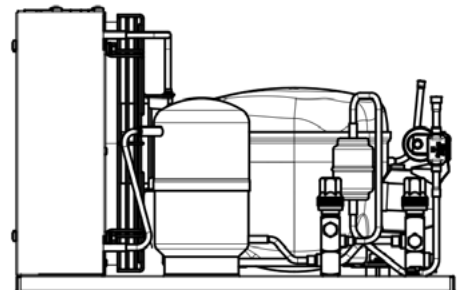
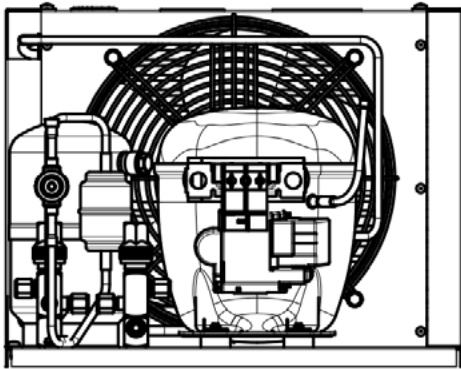
Item ID	Version	Length		Width		Height		Weight	
		(in)	(mm)	(in)	(mm)	(in)	(mm)	(lbs)	(kg)
31-UNT0065MGD-A21A	Plus	21.7	550	14.8	376.4	12.8	324	53.2	24.2
31-UNT0065MGD-A22A	Ultimate	21.7	550	14.8	376.4	12.8	324	55.7	25.3
31-UNT0075MGG-A21A	Plus	21.7	550	14.8	376.4	12.8	324	66.9	30.4
31-UNT0075MGG-A22A	Ultimate	21.7	550	14.8	376.4	12.8	324	69.3	31.5
31-UNT0075MGD-A21A	Plus	21.7	550	14.8	376.4	12.8	324	66.9	30.4
31-UNT0075MGD-A22A	Ultimate	21.7	550	14.8	376.4	12.8	324	69.3	31.5
31-UNT0100MGG-A21A	Plus	24.0	610	18.4	468.2	16.9	430	69.7	31.7
31-UNT0100MGG-A22A	Ultimate	24.0	610	18.4	468.2	16.9	430	72.2	32.8
31-UNT0100MGD-A21A	Plus	24.0	610	18.4	468.2	16.9	430	66.9	30.4
31-UNT0100MGD-A22A	Ultimate	24.0	610	18.4	468.2	16.9	430	69.3	31.5
31-UNT0140MGD-A21A	Plus	24.0	610	18.4	468.2	16.9	430	69.7	31.7
31-UNT0140MGD-A22A	Ultimate	24.0	610	18.4	468.2	16.9	430	72.2	32.8
31-UNT0050MGG-A32A	Ultimate Compact	19.7	500	24.4	620	10.2	259	60.3	27.4
31-UNT0050MGD-A32A	Ultimate Compact	19.7	500	24.4	620	10.2	259	60.3	27.4
31-UNT0100MGG-A32A	Ultimate Compact	19.7	500	25.2	640	12.8	324	88.7	40.3
31-UNT0100MGD-A32A	Ultimate Compact	19.7	500	25.2	640	12.8	324	87.6	39.8
31-UNT0125MGD-A32A	Ultimate Compact	19.7	500	25.2	640	12.8	324	90.4	41.1



## Drawings

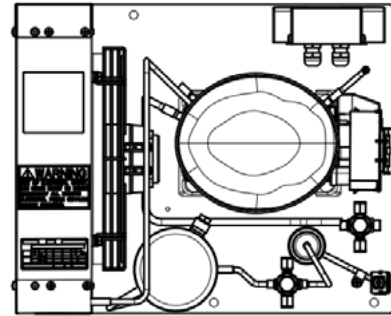
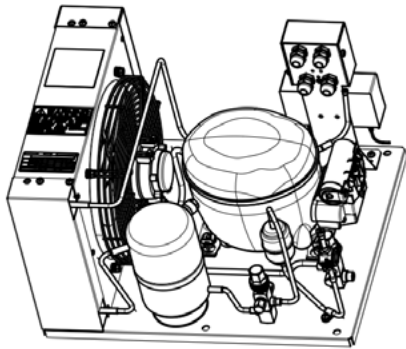
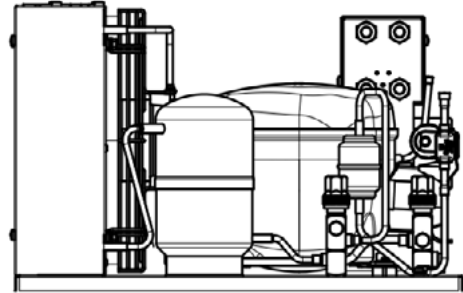


Bare Version

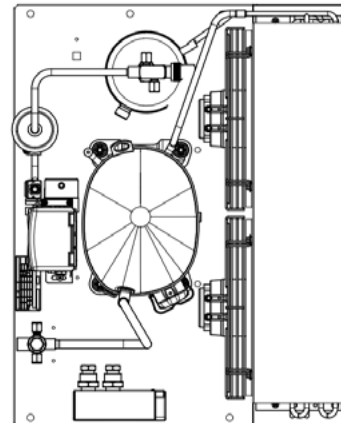
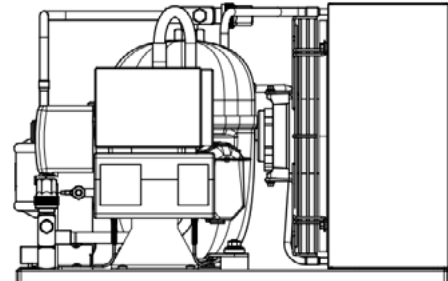
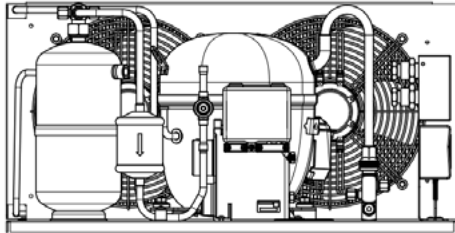


Plus Version

## Drawings

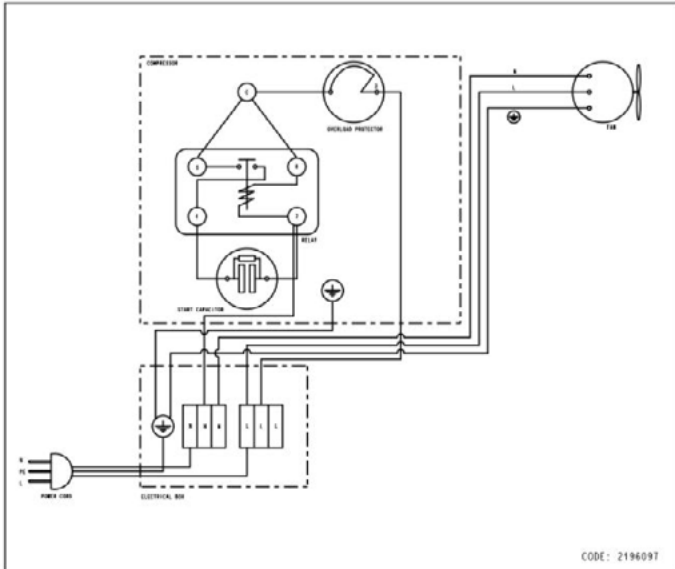


Ultimate Version

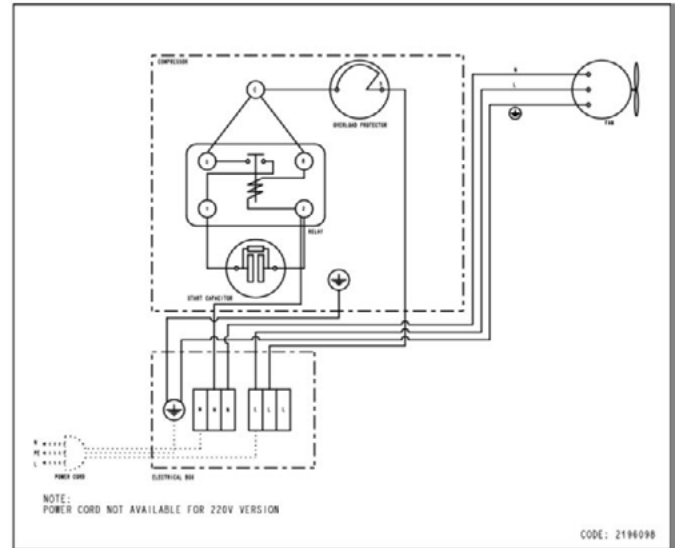


Ultimate Compact

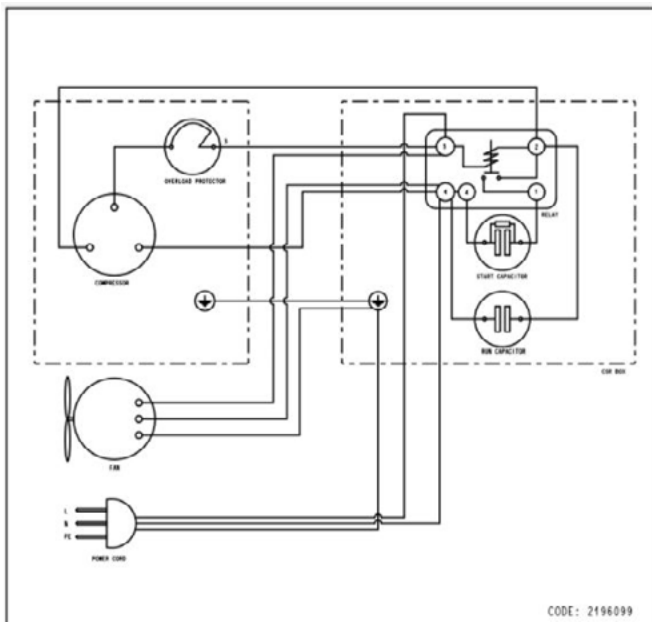
## Wiring Diagram



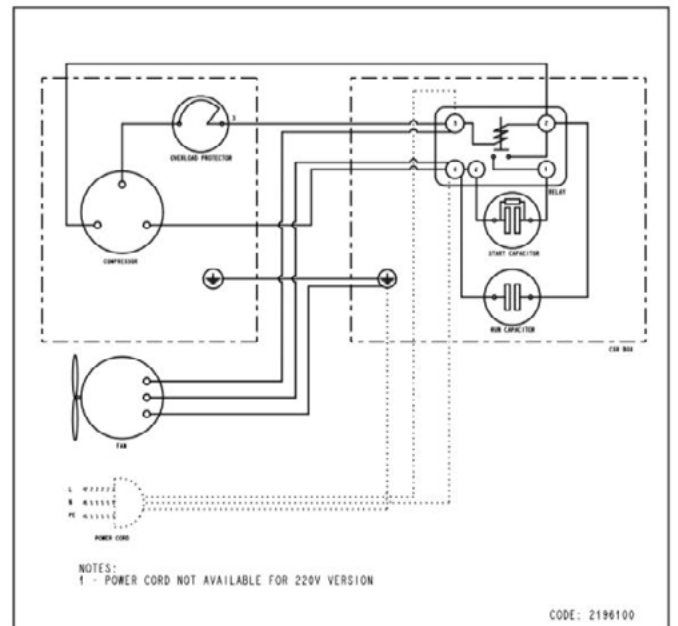
2196097



2196098

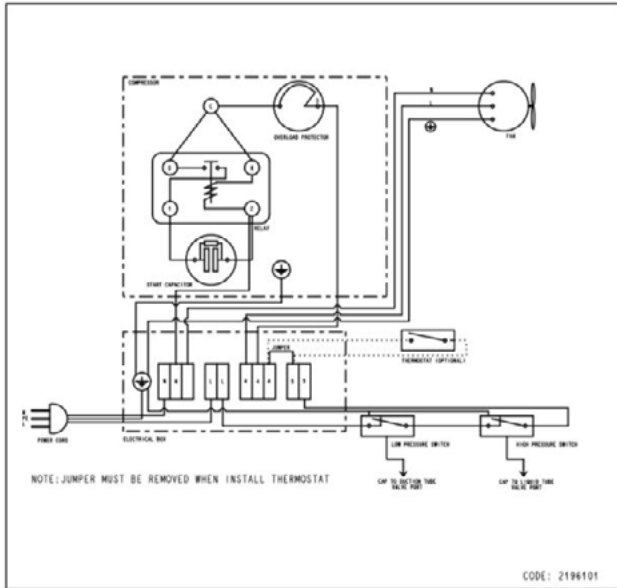


2196099

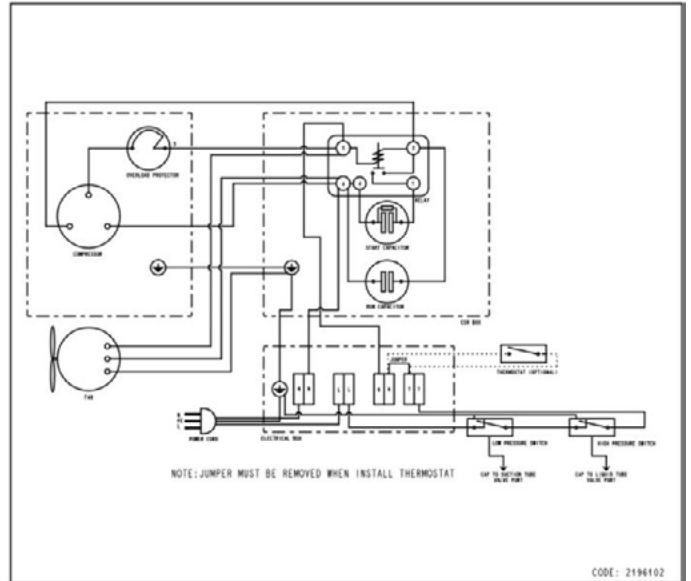


2196100

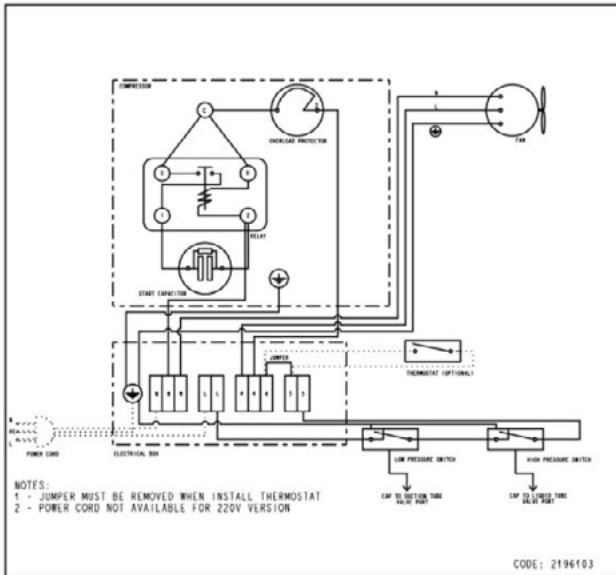
## Wiring Diagram



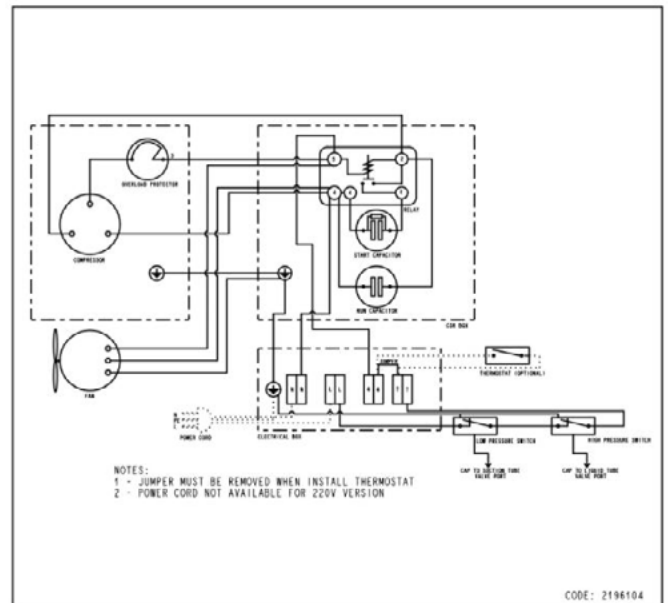
2196101



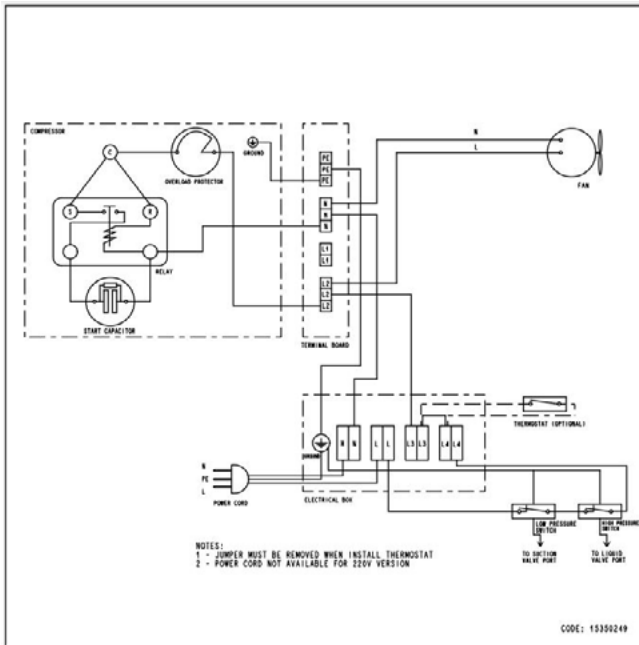
2196102



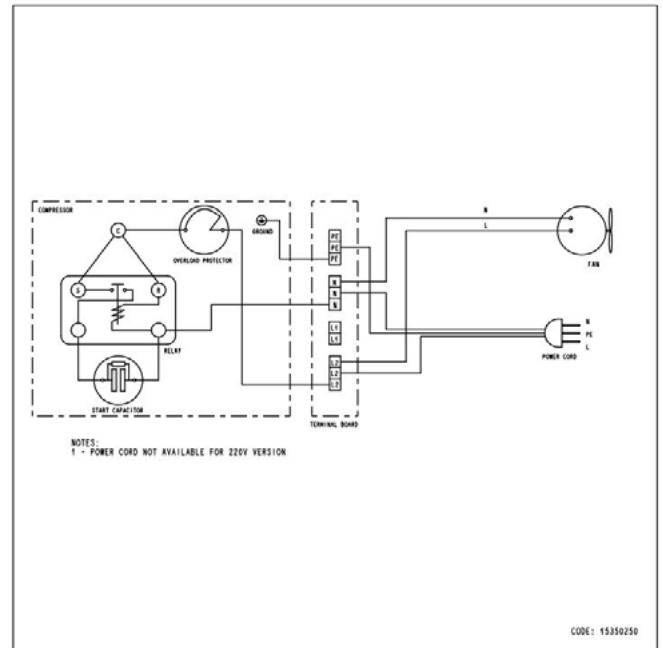
2196103



2196104

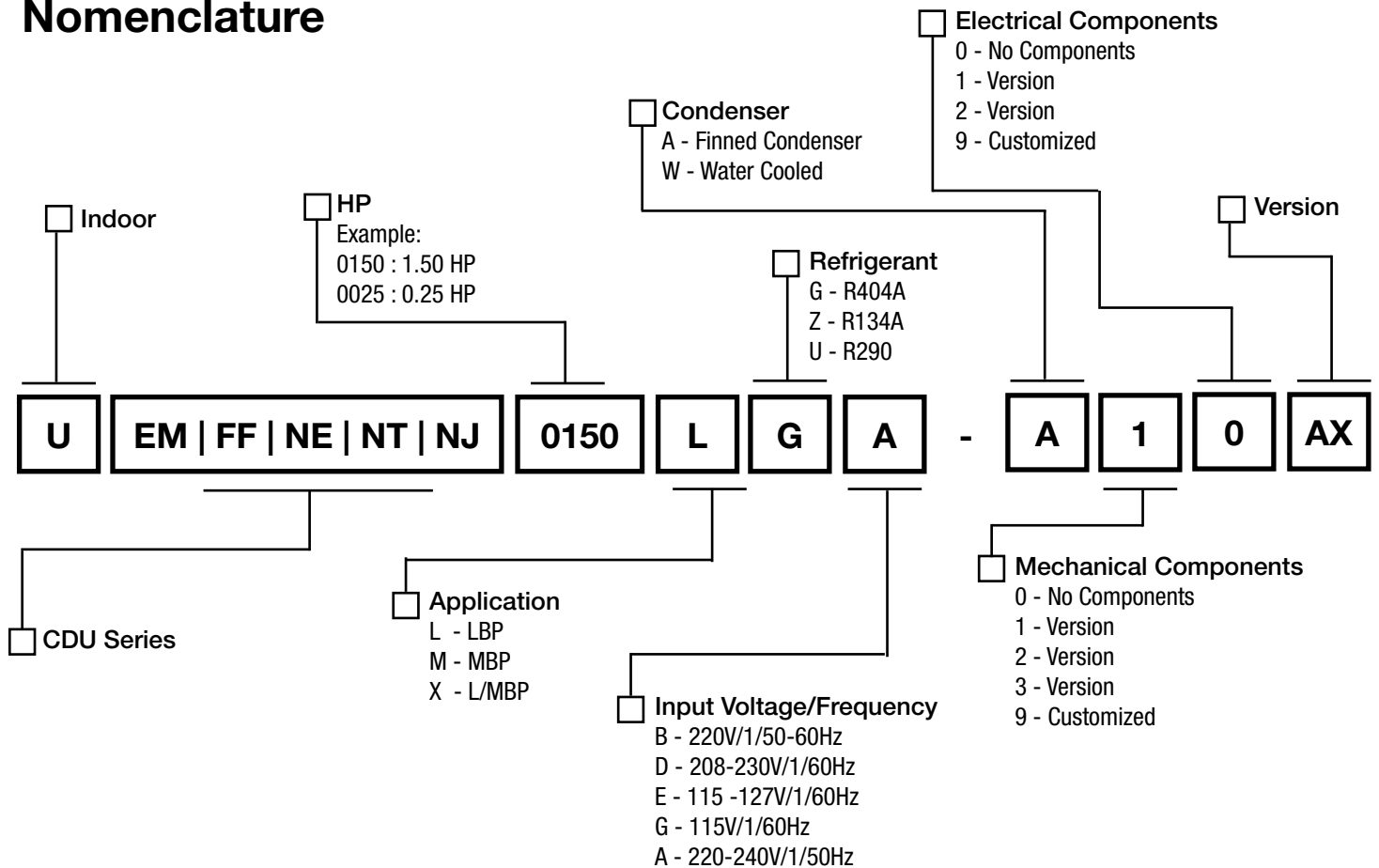


15350249



15350250

## Nomenclature



**embraco**

[www.alltemp.ca](http://www.alltemp.ca)