



ALLTEMP 

SPRING COOLING SPECIAL EDITION

EQUIPMENT MOUNTING | TOOLS | CONDENSATE MANAGEMENT
MAINTENANCE CHEMICALS | COMPONENTS & ACCESSORIES
ELECTRICAL | CONTROLS | MOTORS

Equipment Pads



E Lite® Pads

- Made in the USA
- Uniform and generous ribbing provide self-leveling ground support without inserts
- ASTM D2299, ASTM C67
- Unaffected by UV or weather



2" Thick Pads

Product ID	Size (IN.)	Estimated Allowable Load	Qty. Per Pallet	Pad Weight
EL2424-2	24 x 24 x 2	840 lbs	44	7 lbs
EL2430-2	24 x 30 x 2	960 lbs	22	9 lbs
EL2436-2	24 x 36 x 2	1080 lbs	22	11 lbs
EL2626-2	26 x 26 x 2	920 lbs	22	8 lbs
EL3030-2	30 x 30 x 2	1080 lbs	22	11 lbs
EL3036-2	30 x 36 x 2	1200 lbs	22	13 lbs
EL3040-2	30 x 40 x 2	1260 lbs	22	14 lbs
EL3232-2	32 x 32 x 2	1160 lbs	22	13 lbs
EL3434-2	34 x 34 x 2	1240 lbs	22	14 lbs
EL3636-2	36 x 36 x 2	1320 lbs	22	16 lbs
EL3640-2	36 x 40 x 2	1400 lbs	22	18 lbs
EL3648-2	36 x 48 x 2	1560 lbs	22	29 lbs
EL3842-2	38 x 42 x 2	1480 lbs	22	19 lbs

3" Thick Pads

Product ID	Size (IN.)	Estimated Allowable Load	Qty. Per Pallet	Pad Weight
EL1838-3	18 x 38 x 3	1000 lbs	32	16 lbs
EL2424-3	24 x 24 x 3	840 lbs	16	12 lbs
EL2436-3	24 x 36 x 3	840 lbs	16	19 lbs
EL2448-3	24 x 48 x 3	1320 lbs	32	14 lbs
EL3030-3	30 x 30 x 3	1080 lbs	16	20 lbs
EL3232-3	32 x 32 x 3	1160 lbs	16	21 lbs
EL3244-3	32 x 44 x 3	1400 lbs	16	30 lbs
EL3636-3	36 x 36 x 3	1320 lbs	16	28 lbs
EL3640-3	36 x 40 x 3	1400 lbs	16	31 lbs
EL3648-3	36 x 48 x 3	1560 lbs	16	36 lbs
EL3842-3	38 x 42 x 3	1480 lbs	16	33 lbs
EL3870-3	38 x 70 x 3	2040 lbs	16	36 lbs
EL4040-3	40 x 40 x 3	1480 lbs	16	34 lbs
EL4558-3	45 x 58 x 3	1940 lbs	16	33 lbs
EL4848-3	48 x 48 x 3	1800 lbs	16	29 lbs
EL5060-3	50 x 60 x 3	2080 lbs	16	40 lbs
EL5070-3	50 x 70 x 3	2280 lbs	16	47 lbs
EL5252-3	52 x 52 x 3	1960 lbs	16	48 lbs
EL5658-3	56 x 58 x 3	2160 lbs	16	43 lbs

EcoPad™

- Durable and lightweight for standard applications
- Made in the USA
- Unaffected by UV or weather
- ASTM D2299, ASTM C67
- Individually engineered ribbing for cost-effective self-leveling ground support



2" Thick Pads

Product ID	Size (IN.)	Estimated Allowable Load	Qty. Per Pallet	Pad Weight
EP2424-2	24 x 24 x 2	840 lbs	44	7 lbs
EP2436-2	24 x 36 x 2	1080 lbs	22	11 lbs
EP3030-2	30 x 30 x 2	1080 lbs	22	11 lbs
EP3036-2	30 x 36 x 2	1200 lbs	22	13 lbs
EP3232-2	32 x 32 x 2	1160 lbs	22	13 lbs
EP3636-2	36 x 36 x 2	1320 lbs	22	16 lbs

3" Thick Pads

Product ID	Size (IN.)	Estimated Allowable Load	Qty. Per Pallet	Pad Weight
EP3636-3	36 x 36 x 3	1320 lbs	16	28 lbs

UltraLite® Pads

- Heavy-duty yet ultra-lightweight
- Freeze/thaw, UV, chemical & flame-resistant for long-term life outdoors
- ASTM D2299, ASTM C67
- Extensive selection of sizes available including wedge-shaped pad



3" Thick Pads

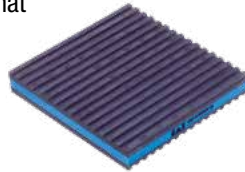
Product ID	Size (IN.)	Estimated Allowable Load	Qty. Per Pallet	Pad Weight
UC1838-3	18 x 38 x 3	400 lbs	30	20.2 lbs
UC2424-3	24 x 24 x 3	336 lbs	15	18 lbs
UC2430-3	24 x 30 x 3	390 lbs	15	23 lbs
UC2436-3	24 x 36 x 3	432 lbs	15	26 lbs
UC2448-3	24 x 48 x 3	528 lbs	15	28 lbs
UC2626-3	26 x 26 x 3	368 lbs	15	17 lbs
UC3030-3	30 x 30 x 3	432 lbs	15	23 lbs
UC3036-3	30 x 36 x 3	460 lbs	15	31 lbs
UC3040-3	30 x 40 x 3	512 lbs	15	33 lbs
UC1636-3	16 x 36 x 3	368 lbs	30	15.3 lbs
UC3132-3L	31 x 32 x 3	460 lbs	15	27 lbs
UC3232-3	32 x 32 x 3	464 lbs	15	26 lbs
UC3237-3	32 x 37 x 3	504 lbs	15	27 lbs
UC3445-3	34 x 45 x 3	584 lbs	15	39 lbs
UC3636-3	36 x 36 x 3	528 lbs	15	34 lbs
UC3642-3	36 x 42 x 3	576 lbs	15	32 lbs
UC3648-3	36 x 48 x 3	624 lbs	15	37 lbs
UC3842-3	38 x 42 x 3	592 lbs	15	35 lbs
UC3870-3	38 x 70 x 3	709 lbs	15	113 lbs
UC4040-3	40 x 40 x 3	592 lbs	15	34 lbs

Anti-Vibration Pads



E.V.A. Anti-Vibration Pad

The latest generation in vibration dampening technology. The most effective vibration dampening pad available on the market. The EVA Pad was tested against other pads at four different vibration settings. In the most severe vibration extremes, the EVA Pad outperforms cork and rubber by a margin of greater than 3:1! This is due to the special composite foam center which is much more structurally sound than cork. It is not affected by oils or chemicals that can break down cork and is much more effective at vibration dampening than solid rubber. All this at a very competitive price. Designed to withstand 50 psi.



Product ID	Description
MP-2E	2" x 2" x 7/8" E.V.A. Pad
MP-3E	3" x 3" x 7/8" E.V.A. Pad
MP-4E	4" x 4" x 7/8" E.V.A. Pad
MP-6E	6" x 6" x 7/8" E.V.A. Pad
MP-12E	12" x 12" x 7/8" E.V.A. Pad
MP-18E	18" x 18" x 7/8" E.V.A. Pad

Rubber Anti-Vibration Pad

Highest quality elastomeric oil resistant padding. Designed to withstand 50 psi. The rubber pads are corrugated on both sides. Ideal for air conditioners, compressors, cooling towers, presses, machines, etc.



Product ID	Description
MP-2	2" x 2" x 3/8" Rubber
MP-3	3" x 3" x 3/8" Rubber
MP-4	4" x 4" x 3/8" Rubber
MP-6	6" x 6" x 3/8" Rubber
MP-8	8" x 8" x 3/8" Rubber
MP-12	12" x 12" x 3/8" Rubber
MP-18	18" x 18" x 3/8" Rubber

Rubber/Cork Anti-Vibration Pad

Highest quality elastomeric oil resistant padding. Designed to withstand 50 psi. The rubber pads are corrugated on both sides. The cork is laminated between two corrugated pads. Ideal for air conditioners, compressors, cooling towers, presses, machines, etc.



Product ID	Description
MP-2C	2" x 2" x 7/8" Rubber/Cork
MP-3C	3" x 3" x 7/8" Rubber/Cork
MP-4C	4" x 4" x 7/8" Rubber/Cork
MP-6C	6" x 6" x 7/8" Rubber/Cork
MP-12C	12" x 12" x 7/8" Rubber/Cork
MP-18E	18" x 18" x 7/8" Rubber/Cork

Iso-Cube Economy Anti - Vibration Pad

Natural rubber pads, designed to reduce vibration and noise emanating from refrigeration and air conditioning equipment. The circular design in each pad offers a suction cup effect, which eliminates the need to bolt the pads down. A standard 18" (46cm) pad is divided into eighty-one 2" (5cm) segments, each of which may be cut or torn to provide smaller pads. These 50 durometer pads will withstand a load of 180 psi with greater resiliency.



Product ID	Description
ISO-2	2" x 2" x 3/4" Iso-Cube
ISO-4	3" x 3" x 3/4" Iso-Cube
ISO-18	4" x 4" x 3/4" Iso-Cube

Mounting Blocks



Hef-T-Block™

Used as mounting bases when condensing units must be bolted down. Available in three lengths. Furnished complete with end caps and mounting hardware. Maximum load capacity is 900 pounds per mounting block. Installation temperature range from -4F (-20C) to 140F (60C). Hef-T-Blocks fit all mini-split condensing units with a unique sliding rail feature.

Product ID	Description
230-MB14W	14in. Hef-T-Block™ (White), pack of 2
230-MB17W	17" Hef-T-Block™ (White)
230-MB36W	36in. Hef-T-Block™ (White), pack of 2
230-MBCW	Hef-T-Block™ End Cap (White), pack of 4



230-MB14W

Equipment Stands



Hef-T-Bracket™ (Type 2)

Used for supporting condensing units, Hef-T-Brackets (Type 2) feature a cross bar that is attached to a wall, and two L-shaped brackets that are hooked and bolted into place on the cross bar. The condensing unit is mounted onto the L-shaped brackets, and fastened using the bolts and anti-vibration washers provided.



230-B2M

Product ID	Description
230-B2M	Hef-T-Bracket™ (Type 2) – Medium, 18, 176lbs
230-B2L	Hef-T-Bracket™ (Type 2) – Large, 21", 176lbs
230-B2XL	Hef-T-Bracket™ (Type 4) – Extra Large, 26", 250lbs
230-B3L	Hef-T Bracket™ - Large, 22in. 500 Lbs
230-B3M	Hef-T Bracket™ - Medium, 18in. 500lbs

A/C Brackets - Mini-Splits

These heavy duty 1/8" thick AC brackets are perfect for hanging A/C condensers and heat pumps outside the home. Mount at any height to allow for easy maintenance under units. No need to wait for finished grade or landscaping prior to installation of AC unit. Pre-punched holes for easy installation. Powder coated gray finish. Load rating 600 lbs. per pair.



ACB-42

Product ID	Description
ACB-30	AC Mounting Bracket – 30", pack of 2
ACB-36	AC Mounting Bracket – 36", pack of 2
ACB-42	AC Mounting Bracket – 42", pack of 2
ACB-48	AC Mounting Bracket – 48", pack of 2
ACB-30-AL	AC Mounting Bracket, Aluminum – 30", pack of 2
ACB-36-AL	AC Mounting Bracket, Aluminum – 36", pack of 2
ACB-42-AL	AC Mounting Bracket, Aluminum – 42", pack of 2
ACB-48-AL	AC Mounting Bracket, Aluminum – 48", pack of 2

Wall Brackets - Mini-Splits

Wall Bracket provides a quick safe, and stable way to mount your unit. They allow for easy access during installation, service, and maintenance. Our roof bracket accessory is designed to protect your equipment from snow and freezing rain while maintaining proper air flow around the unit.



QSWB1000

Product ID	Description
QSWB1000	Wall Bracket. Holds up to 500lbs.
QSWB2000	Wall Bracket w/Rail. Holds up to 350lbs.
QSWB2000SS	Wall Bracket w/Rail, Stainless Steel
QSWB3000	Wall Bracket w/Z Bend. Holds up to 300lbs.
QSWB4000	Wall Bracket w/Rail. Holds up to 500lbs.
QSWB4000SS	Wall Bracket w/Rail, Stainless Steel

Pitched Roof Mini-Split Mounting Bracket

The Quick-Sling® Pitched Roof Mini-Split Mounting Bracket is a fast and easy solution to mounting outdoor condensing units to a sloped roof.



QSPR1000

Product ID	Description
QSPR1000	Pitched Roof Bracket 300 lbs capacity. 9° - 45° sloped roofs

Flexi Frame

Flexi Frame for modular AC systems, mini-split, and VRF applications designed to provide stability and spread loads evenly across flat roof surface



FF-BF-B

Product ID	Description
FF-BF-B	Flexi Frame Base Stand;
FF-BF-1500-B	Flexi Frame 1500;Base Stand
FF-EF-B	Flexi Frame Extender;Stand
FF-EF-1500-B	Flexi Frame 1500;Extender Stand

Mini-Split Stands

The Mini-Split Stands provide a safe, stable platform for mounting a wide variety of HVAC/R equipment. It keeps unit elevated above lawn mowers, weed trimmers, pets, snow and flooding. The elevated height allows for ease of installation, maintenance and service. Now available in stainless steel and aluminum.



QSMS1201

Product ID	Description
QSMS1201	Mini-Split Stand Wide - 12"
QSMS1201-AL	Mini-Split Stand Wide - 12"; Aluminum
QSMS1201-SS	Mini-Split Stand Wide - 12"; Stainless
QSMS1801	Mini-Split Stand Wide - 18"
QSMS1801-AL	Mini-Split Stand Wide - 18"; Aluminum
QSMS1801-SS	Mini-Split Stand Wide - 18"; Stainless
QSMS2401	Mini-Split Stand Wide - 24"
QSMS2401-AL	Mini-Split Stand Wide - 24"; Aluminum
QSMS2401-SS	Mini-Split Stand Wide - 24"; Stainless

SPIN Tools



Swaging Spin

The Swaging Spin is for hard and soft copper tubing. It creates a precise deep swage without wobbling or cracking that is easier to braze.



S6000

Product ID	Description
S4000	Swaging Tools 4pc Set;1/4", 3/8", 1/2", 5/8"
S5000	Swaging Tools 5pc Set;1/4", 3/8", 1/2", 5/8", 3/4"
S6000	Swaging Tools 6pc Set 1/4" 3/8" 1/2" 5/8" 3/4" 7/8"
S1012	Swaging Tool, 1/2in;Individual
S1014	Swaging Tool, 1/4in;Individual
S1034	Swaging Tool, 3/4in;Individual
S1038	Swaging Tool, 3/8in;Individual
S1058	Swaging Tool, 5/8in;Individual
S1078	Swaging Tool, 7/8in;Individual
S1516	Swaging Tool, 5/16in;Individual
S1806	Swaging Tool, 6mm;Individual
S1808	Swaging Tool, 8mm;Individual
S1810	Swaging Tool, 10mm;Individual
S1812	Swaging Tool, 12mm;Individual

Flaring Spin

The Flaring SPIN Tool is designed for the most common tubing diameters in HVAC. The SPIN Flaring Tools make flares with the ideal dimensions for a perfect packing, due a wider area of contact between the flare surface and the valve/tube accessory.



F6000

Product ID	Description
F4000	Flaring Tools 4pc Set;1/4", 3/8", 1/2", 5/8"
F5000	Flaring Tools 5pc Set;1/4" 3/8" 1/2" 5/8" 3/4"
F6000	Flaring Tools 6pc Set 1/4" 3/8" 1/2" 5/8" 3/4" 7/8"
F1012	Flaring Tools 1/2in;Individual
F1014	Flaring Tool, 1/4in;Individual
F1034	Flaring Tool, 3/4in;Individual
F1038	Flaring Tool, 3/8in;Individual
F1058	Flaring Tool, 5/8in;Individual
F1078	Flaring Tool, 7/8in;Individual
F1100	Flaring Tool, 1in;Individual
F1516	Flaring Tool, 5/16in;Individual

Leak Detectors



Infrared Refrigerant Leak Detector

This detector is in it for the long haul. The 10-year sensor life will keep up with all of your daily demands.



LDIR150

Technical Specifications	
Sensor Type	Infrared Spectrum Absorbtion
Sensor Life	10 years
Maximum Sensitivity	4 grams/year
Response Time	3 Seconds
Warm-Up Time	30 Seconds
Battery	Built-in rechargeable Lithium Battery 3.7V, 3,000mAh
Certifications	SAE J1627, SAE J2791, SAE J2913, EN14624: 2012
Refrigerants Detected	"It will detect all halogenated refrigerants. This includes, but is not limited to: CFC: R12, R11, R500, R503 HCFC: R22, R123, R124, R502 HFC: R134A, R404A, R410A, R407C CH: R600A"
Dimensions	7.9" x 3.3" x 1.5"
Weight	14.6 oz (415g)

Heated Diode Refrigerant Leak Detector

Tight Space? No problem. Find leaks fast with the flexible probe that allows access to all of those hard-to-reach areas.



LDHS250

Technical Specifications	
Sensor Type	Semi-Conductive Sensor
Sensor Life	5 years
Maximum Sensitivity	4 grams/year
Response Time	3 Seconds
Warm-Up Time	30 Seconds
Certifications	SAE J1627, SAE J2791, SAE J2913, EN14624: 2012
Refrigerants Detected	It will detect all halogenated refrigerants. This includes, but is not limited to: CFC: R12, R11, R500, R503 HCFC: R22, R123, R124, R502 HFC: R134A, R404A, R410A, R407C CH: R600A
Dimensions	10.25" x 2.25" x 2.25"
Weight	14 oz (397g)

Refrigerant Scales



Wireless Refrigerant Scale

Rugged & durable to handle all terrains. Use inside the case for added protection from the elements. The hilmor Wireless Refrigerant Scale remote provides the user with a market leading 130 foot wireless range to help tackle those challenging locations.



RSWL220

Technical Specifications

Resolution	0.2 oz (5g)
Wireless Range	Up to 130 ft
Capacity	220 lbs (100 kg)
Scale	Batteries AA (x5)
Remote	Batteries AAA (x5)
Battery Life	40 Hours
Dimensions	18" x 14-3/4" x 3-1/2"
Net Weight	10.6 lbs.

Refrigerant Scale

Rugged & durable to handle all terrains. Use inside the case for added protection from the elements.



RSW220

Technical Specifications

Resolution	0.2 oz (5g)
Capacity	220 lbs (100 kg)
Scale	Batteries AA (x5)
Remote	Batteries AAA (x5)
Battery Life	40 Hours
Dimensions	18" x 14-3/4" x 3-1/2"
Net Weight	10.6 lbs.

Swaging Tools



Compact Swage Tool

The hilmor Compact Swage Tool is taking swaging to the next level. It has the power to swage 1-5/8" tubing and the control to swage 5/16" tubing without a crack. With its small, pistol-shape design, it can fit in the smallest of spaces. This proprietary design can reduce on-the-job fatigue with its easy setup and one-handed operation made possible by an innovative hydraulic mechanism and release button. It's even equipped for multiple sizes.

Kit Contents: 3/8", 1/2", 5/8", 3/4" and 7/8" Expander Heads, Deburrer and Compact Swage Tool

Product ID	Description
1839015	Compact Swage Tool; 5/16" to 1-5/8"



1839015

Flaring Tools



Orbital Flare Kit

The hilmor Orbital Flare Kit has everything required to produce quality flares again and again. The kit comes with hilmor's large diameter tubing cutter for easy kink-free cuts, a deburring tool to smooth everything out, and of course the Orbital Flare which is built to create the perfect flare quickly and accurately every time.

1937685 Orbital Flare Kit: Orbital Flare with 1/8" to 1-3/8" Tubing Cutter and Pen Style Deburring Tool

Product ID	Description
1937685	Orbital Flare Kit with Tubing Cutter and Deburring Tool



1937685



Bending Tools

Compact Bender Kits

Small in size. Big on advantages. The hilmar Compact Bender will help you get the job done right – from start to finish. Small-space capabilities, one-handed operation and precise bends – you get it all. A universal crossbar and color-coded mandrels provide simple setup and easy size identification. An advanced mandrel design and quick-release mechanism allow for an easy tube release. You can count on precise bends of 1/4", 5/16", 3/8", 1/2", 5/8", 3/4" and 7/8" tubing up to 90°.

1839032 Compact Bender Kit:

Body and crossbar for 1/4" to 7/8", 1/4", 5/16", 3/8", 1/2", 5/8", 3/4" and 7/8" mandrels.

1926598 Compact Bender Kit with Reverse Bending Attachment:

Body and crossbar for 1/4" to 7/8", 1/4", 5/16", 3/8", 1/2", 5/8", 3/4" and 7/8" mandrels and Reverse Bending Attachment.



1839032

Product ID	Description
1839032	Compact Bender Kit
1926598	Compact Bender Kit with Reverse Bending Attachment

Recovery Machine



Lightweight Brushless DC Refrigerant Recovery Machine

Pulls like a powerhouse. Lifts like a feather. The recovery machine designed for you.

Technical Specifications	
Motor	1 HP, Brushless DC, 115v, 60Hz
Motor Speed	3,000 RPM
High Pressure Shut Off	560 PSI (3.86 MPa)
Compatible Refrigerants	R-12, R-134a, R-401C, R-406C, R-500 R-401A, R-412A, R-22, R-407C, R-509, R-409A, R-411A, R-411B, R-402B, R-401B, R-407B, R-502, R-408A R-407A, R-402A, R-407B, R-404A, R-507, R-410A
Compliance	CSA , FCC , AHRI740-1998 UL Verified
Dimensions	14.7" x 14.2" x 10.6"
Net Weight	27 lbs (12.25 kg)



1950536

Valve Core Removal Tools



Valve Core Removal Tool

Valve Core Removal Tools are designed to make work more efficient, but there's nothing efficient about losing tools or equipment. The hilmar Valve Core Removal Tool has a built-in rare-earth magnet on the back of the plunger for convenient jobsite storage. After removing the core for evacuation or change-out, the plunger and valve core can be stored on the side of the unit. The tool comes in both 1/4" and 5/16" sizes.

Product ID	Description
1947967	Valve Core Removal Tool 1/4"
1947968	Valve Core Removal Tool 5/16"



1839032

Pliers



Multi-Function Pliers

The hilmor Multi-Function Pliers bring 5 tools into one! They feature a long nose for grabbing and looping wire. The stripper portion can strip 8 AWG to 18 AWG. The curved cutting blade effectively and efficiently cuts through larger wire sizes. The forged alloy steel provides maximum tool strength and durability and the hot-riveted joint ensures a smooth action and reduced hand wobble.



1885391

Product ID	Description
1885391	Multi-Function Pliers

Wrenches



Digital Adjustable Torque Wrench

The hilmor Digital Adjustable Torque Wrench reduces the risk of refrigerant leaks from over or under tightening a flare nut on a mini-split. The digital screen for torque accuracy, 9 memory settings of common torque values, and light and sound indicators when desired torque is achieved, increases repeatability of proper torque time and time again.



1885391

Product ID	Description
1963826	Digital Adjustable Torque Wrench 1/4" to 11/16"

Vacuum Pumps



Vacuum Pumps

Your days of messing around with clunky, unreliable pumps are over. These twostage rotary vane vacuum pumps have been retooled with features to make pulling vacuum down to 25 microns a breeze..

Technical Specifications				
Product ID	1947970	1948121	1948122	1950532
CFM	3	5	9	12
Motor HP	1/3	1/2	1	1
Power Requirements	4.5A, 230V 60Hz	7.5A, 120V 60Hz	5.5A, 120V 60Hz	7.6A, 1 20V 60Hz
Motor Speed	1720RPM	3440RPM	1720RPM	2500RPM
Intake Fitting	1/4", 3/8"	1/4", 3/8", 1/2"	1/4", 3/8", 1/2 "	1/4", 3/8", 1/2"
Ultimate Vacuum	25 Microns	25 Microns	25 Microns	25 Microns
Oil Capacity	11 oz.	11 oz.	15 oz.	15 oz.
Compliance	CSA	CSA	CSA	CSA
Net Weight	19.7 lbs.	19.7 lbs.	36.2 lbs.	25.5 lbs.



1947970



Vacuum Gauges

Wireless Vacuum Gauge

Easy positioning. Easier readings. Easily, the best vacuum gauge.



1950217

Product ID	Description
1950217	Wireless Vacuum Gauge 33ft

Compact Vacuum Gauge

The hilmor Compact Vacuum Gauge is an all-in-one micron gauge that is durably constructed for everyday use and abuse. An easy to read backlit display provides readings and the two button operation simplifies field use.



CVG1200

Product ID	Description
CVG1200	Compact Vacuum Gauge

Nut Drivers



Reversible Magnetic Nut Drivers

The hilmor Reversible Magnetic Nut Drivers incorporate a high performance socket design that drives the fastener from the flats, not the corners, minimizing slippage. The most fun you can have without stripping!

Product ID	Description
1937881	2-3/4" Reversible Magnetic Hex Driver
1937882	4" Reversible Magnetic Hex Driver
1937883	6" Reversible Magnetic Hex Driver



1937881

1937882

1937883

Sheet Metal Tool



Pocket Brake

The hilmor Pocket Brake is a portable sheet metal scoring tool that permits quick and precise, on the job, sheet metal fabrication.

Product ID	Description
HPB1701	Pocket Brake, Sheet Metal Scoring Tool



HPB1701

Service Tools



Lineset Cleaner

The hilmor Lineset Cleaner uses a pressurized source to launch the carefully selected specialized foam puck into the line set that effectively wipes the pipe clean of all contaminants and remaining refrigerants.

Product ID	Description
HLC007	Lineset Cleaner



HPB1701

Foam Pigs

HLP038, HLP012, HLP058, HLP034, HLP078

Drain Guns



SWOOSH® Drain Gun Big Shot

The SWOOSH® Drain Gun is designed to blow out drain lines instantly. New larger 20 gram SWOOSH® CO₂ cartridges deliver 800 PSI of oil free air to clear the line, with 25% more capacity. Each unit comes equipped with a tapered fitting to work on 3/8" – 3/4" drain openings. Flexible hose assembly maneuvers through cabinets, coils and hard to reach drains. Reduces labor costs and time on service calls.



Product ID	Description
SG-1	20G SWOOSH Drain Gun Big Shot
SGC-12	20G SWOOSH Drain Gun Cartridge, Pack of 12

Drain Gun Portable Drain Cleaning Tool

Clears condensate drains with a SWOOSH®! A lightweight (3 oz.) portable tool designed to blow out drain lines instantly. SWOOSH® CO₂ cartridges deliver 800 PSI of oil free air to clear the line. Each unit comes equipped with a tapered fitting to work on 3/8" – 3/4" drain openings. Flexible hose assembly maneuvers through cabinets, coils and hard to reach drains.



Product ID	Description
GG-1	Drain Gun
GGC-12	Drain Gun Cartridge, Pack of 12

SWOOSH® Drain Gun Double Shot

The SWOOSH® Drain Gun™ Double Shot™ can use a single 20g cartridge or unleash the full power of the SG-2 and load two 20g cartridges for 2.5X more SWOOSH®! The SG-2KIT features the SG-2 Drain Gun™ Double Shot™, two 20 gram SWOOSH® cartridges, a reinforced vinyl hose that's equipped with a tapered fitting to work on 3/8" - 3/4" drain openings, and a universal adapter for multiple drain line clearing accessories.



Product ID	Description
SG-2KIT	SWOOSH Drain Gun Double Shot

Mini-Split Bib Kits

Mini-Split Cassette Bib® Kit

Cleaning ductless ceiling cassettes is a daunting task, but we've just made it a whole lot easier. Using pressurized water and coil cleaner is the key to a good coil cleaning. Our ductless cassette bib kit installs in seconds and quickly creates a safe funnel where all your water and cleaner are safely deposited into a bucket. Super easy to use and really effective.



Product ID	Description
SC-CB	Cassette Bib w/ Bungees-Bucket

Mini-Split Bib® Kit

The Mini-Split Bib Kit is the fastest way to clean ductless mini-split coils, blower wheels and more. This kit allows you to safely and quickly clean virtually any mini-split system the correct way using pressurized water on coils, blower wheels and more. The patented technology keeps water away from walls and other surroundings and directs it into the 5 gallon bucket for disposal.



Product ID	Description
MSB-KIT	Mini-Split Bib Kit
MSB-KIT-XL	Mini-Split Bib Kit XL
MSB-360-KIT	Mini-Split, 360 Coverage, Kit

Cleaning Systems

CoilJet®

HVAC Coil Cleaner System

CoilJet is a portable HVAC coil cleaning system ideal for cleaning evaporator coils and condenser coil in locations where water and power may be inaccessible, such as rooftops and attics. CJ-125 is designed for portability by including separate water and chemical tanks and a long life rechargeable battery. Expertly clean condenser and evaporator coils no matter where the location may be.



CJ-125

Product ID	Description
CJ-125	CoilJet Portable Coil Cleaner



CoilShot®

Condenser Cleaner Tool

The CoilShot® condenser cleaner tool and tablet system make cleaning condenser coils faster and easier than ever before. The unit connects directly to a garden hose and uses a single pre-measured tablet to apply foaming coil cleaner directly to coils. For added cleaning performance, use it with the optional 3ft wand. The innovative technology quickly cleans coils of dirt, grime, and even grease! Eliminate the need for lugging around and measuring heavy, bulky liquid coil cleaners.



SC-CS-100



SC-CS-TABS

Product ID	Description
SC-CS-WAND	Coilshot Wand Assembly
SC-CS-TABS	Coilshot Tablets, Pack of 8

SpeedyFoam

Condenser Coil Cleaner

SpeedyFoam is safe for coated and uncoated coils. It is an acid-free, alkaline, non-caustic, degreasing foaming formula. (Say that ten times fast, I dare you). It's safer for employees to use, more effective on grease and works great on all metals and has a clean, fresh scent. Plus it's 4x concentrated, so you get more bang for your buck. It's designed for use with CoilJet and Condenser Needle but can be used with pump sprayers too.



SC-FCC-1

Product ID	Description
SC-FCC-1	Speedyfoam Coil Cleaner, 1gal, Case of 4
SC-FCC-5	Speedyfoam 5 Gallon Jug

Tube Working Tool

EasyBend

Easybend® lineset bender kit (1/4in, 3/8in, 1/2in, 5/8in) does not require removal of insulation. Soft copper only.

Product ID	Description
EB-1000	Easybend® lineset bender kit (1/4", 3/8", 1/2", 5/8")



EB-1000

Condensate Pumps



Pumps are often the heart of a complete condensate management system. With simple installation, high durability, and long-term reliability, they effortlessly pump water wherever it needs to go. Every pump is designed to help you get the job done right regardless of the application.

Standard Condensate Pumps

- LED Indicators Confirm Pump Status
- Built-in Safety Overflow Switch
- Handles Condensate up to 160° F
- Sturdy Metal Hang Tabs



CP-22

Product ID	Description
CP-22	Condensate Pump, 120V, 60Hz, 22' Lift
CP-22-230	Condensate Pump, 230V, 60Hz, 22' Lift
CP-22T	Condensate Pump, 120V, 60Hz, 22' Lift, 20' Clear Vinly 3/8" Tubing
CP-22-230T	Condensate Pump, 230V, 60Hz, 22' Lift, 20' Clear Vinly 3/8" Tubing

Specialty ClearVue™ Condensate Pumps

- Translucent Tank for Easy & Fast Inspection
- Variable Speed for Quieter Operation
- Senses Clog & Engages Pulse Mode for Cleaning
- Built-In Safety Overflow Switch with Alarm & Run Contacts
- LED Indicators & Audible Alarm Confirm Pump Status
- Floatless Sensor Technology



IQP-120

Product ID	Description
IQP-120	ClearVue Condensate Pump, 120V, 60Hz, 22' Lift
IQP-120T	ClearVue Condensate Pump, 120V, 60Hz, 22' Lift, 20' Clear Vinyl 3/8" Tubing

General Purpose Condensate Pumps

More compact than the CP-22, it's designed to lift to a maximum of 16 feet. The CP-16 shares many of the great features of the CP-22, including hang tabs, four inlet holes, float switch, overflow switch, and a check valve. UL Listed File Numbers E253155 and E258186.



CP-16

Product ID	Description
CP-16	Condensate Pump, 120V, 60Hz, 16' Lift
CP-16-230	Condensate Pump, 230V, 60Hz, 16' Lift

Low Profile Specialty Condensate Pumps Standard Applications

- Reduced Height for Restricted Spaces
- LED Indicators Confirm Pump Status
- Built-in Safety Overflow Switch
- Handles Condensate up to 160° F
- Sturdy Metal Hang Tabs



CP-22LP

Product ID	Description
CP-22LP	Low Profile Condensate Pump, 120V, 60Hz, 22' Lift
CP-22LP-230	Low Profile Condensate Pump, 230V, 60Hz, 22' Lift
CP-22LP-P	Low Profile Condensate Pump, 120V, 60Hz, 22' Lift, Plenum Rated
CP-22LP-230-P	Low Profile Condensate Pump, 230V, 60Hz, 22' Lift, Plenum Rated

Specialty Condensate Pumps - Acid & High Temperature Applications

- Handles Acidic and Non-Acidic Condensate up to 190° F
- Stationary PVC Pipe Inlets for Easy Tank Access
- LED Indicators Confirm Pump Status
- Built-In Safety Overflow Switch
- Remove Check Valve Without Tools for Easy Cleaning



FP-22

Product ID	Description
FP-22-230	Furnace Condensate Pump, 230V, 60Hz, 22' Lift

Condensate Pumps



Pro Condensate Pumps Standard Applications

- Handles Condensate up to 160° F
- Built-in Safety Overflow Switch
- Sturdy Metal Hang Tabs



PROCP-16

Product ID	Description
PROCP-16*	Pro Series Condensate Pump, 120V, 60Hz, 16' Lift
PROCP-16-230*	Pro Series Condensate Pump, 230V, 60Hz, 16' Lift
PROCP-22S	Pro Series Condensate Pump, 120V, 60Hz, 22' Lift
PROCP-22S-230	Pro Series Condensate Pump, 230V, 60Hz, 22' Lift
PROCP-22ST	Pro Series Condensate Pump, 120V, 60Hz, 22' Lift, 20' Clear Vinyl 3/8" Tubing
PROCP-22ST-230	Pro Series Condensate Pump, 230V, 60Hz, 22' Lift, 20' Clear Vinyl 3/8" Tubing

*Note: Without Built-in Safety Overflow Switch

Pro Condensate Pumps Acidic, Max Temperature & High Lift/Flow Applications

- Handles Acidic and Non-Acidic Condensate up to 212° F
- Large 1-Gallon Tank Instantly Reduces Temperature of Boiler & Steam Humidifier Discharge
- Flow Rate up to 190 Gallons Per Hour
- Quarter-Turn Removable Check Valve
- Built-In Safety Overflow Switch



PROCP-46

Product ID	Description
PROCP-46	Pro Series Condensate Pump, 120V, 60Hz, 49' Lift
PROCP-46-230	Pro Series Condensate Pump, 230V, 60Hz, 49' Lift

Ductless Condensate Pumps



A variety of convenient and long-lasting ductless pumps designed for a wide variety of applications.

Ductless Condensate Pumps Standard Applications

- Quiet Operation (20.2 Decibels)
- Suction Lift 6.5'
- For Equipment up to 36K BTU/h
- Built-in Safety Overflow Switch with Alarm & Run Contacts
- For Wall Mounts & Ceiling Cassettes
- Includes Installation Accessories



Product ID	Description
CP-M115	Ductless Condensate Pump, 115V, 60Hz, 24' Lift
CP-M230	Ductless Condensate Pump, 230V, 60Hz, 24' Lift

ClearVue™ Mini Ductless Condensate Pump Standard Applications

- Variable Speed for Silent Operation (19.0 Decibels)
- Suction Lift 6.5'
- For Equipment up to 120K BTU/h
- Built-in Safety Overflow Switch with Alarm & Run Contacts
- LED Indicators Confirm Pump Status
- Includes Installation Accessories
- Floatless Sensor Technology



CVMINI

Product ID	Description
CVMINI	ClearVue Mini Ductless Condensate Pump, 120-240V, 60Hz, 35' Lift

Undermount Ductless Condensate Pump Standard Applications

- Undermount Pump for Ductless System
- Ultra Quiet (21dBA)
- Removable Reservoir for Easy Maintenance
- Built-in Safety Overflow Switch
- Max Unit Output 54,000 BTU/h, 16kW



QUIETMINI-M

Product ID	Description
QUIETMINI-M	Undermount Ductless Condensate Pump, 115-230V, 60Hz, 26' Lift

The Asurity® QUIETMINI-I Condensate Pump

- Max discharge head 26 ft
- Universal voltage - 115 – 230V 60Hz
- Flexible installation options. Fits inside line set covers or inside cassette
- Self-priming



Product ID	Description
QUIETMINI-I	INTERNAL MINI-SPLIT CONDENSATE PUMP

Drain Pans



Our drain pans are engineered to provide that extra level of confidence. We offer standard plastic and metal pans made with rolled edges for durability, ribbed bottoms for rigidity, and reinforced corners for strength; while our specialty high rise drain pans feature risers for additional height. These drain pans are the backbone of our complete condensate system.

Specialty Plastic Drain Pans

- UV-stabilized and Reinforced Polypropylene
- Powder-coated Steel
- Comes with Mounting Hardware and Drain Pan Outlet



230-DPPL

Product ID	Description
230-DPPL	Large Poly Drain Pan for Mini-Split Systems, 16.75in x 38in
230-DPPM	Medium Poly Drain Pan for Mini-Split Systems, 16.75in x 32.25in

Plastic Drain Pans

- Rolled Edges, Ribbed Bottom, Reinforced Corners
- PVC Fittings Included
- No Seams, No Rust, No Leakage



Complies with Southern Building Code

Product ID	Description
6-1838L	Plastic Drain Pan, 18x38L, Pack of 5
6-1838S	Plastic Drain Pan, 18x38S, Pack of 5
6-2424L	Plastic Drain Pan, 24x24L, Pack of 5
6-2626L	Plastic Drain Pan, 26x26L, Pack of 5
6-2739L	Plastic Drain Pan, 27x39L, Pack of 5
6-2748L	Plastic Drain Pan, 27x48L, Pack of 5
6-2763L	Plastic Drain Pan, 27x63L, Pack of 5
6-3030L	Plastic Drain Pan, 30x30L, Pack of 5
6-3050L	Plastic Drain Pan, 30x50L, Pack of 5
6-3060L	Plastic Drain Pan, 30x60LF, Pack of 5
6-3060S	Plastic Drain Pan, 30x60 S , Pack of 5
6-3263L	Plastic Drain Pan, 32x63L, Pack of 5
6-3263L-F	Plastic Drain Pan, 32x63LF, Pack of 5
6-3636L	Plastic Drain Pan, 36x36L, Pack of 5
6-3660L	Plastic Drain Pan, 36x60L, Pack of 5
6-3660S	Plastic Drain Pan, 36x60S, Pack of 5

High Rise Drain Pans

- Position AV Pads Where You Want Them
- Full 5" Rise from Bottom of Pan
- Heavy Reinforcement Throughout
- Water Flows Towards Sides
- Installation Kit Provided (Condensate Safety Overflow Switch, Anti-Vibration Pads, Fitting)



Meets Requirements for Florida Building Code (307.23 Auxiliary and Secondary Drain Systems)

Product ID	Description
6-HK2748	HR Drain Pan Kit 27x48, Pack of 5
6-HK2748-1	HR Drain Pan Kit 27x48, Pack of 1
6-HK2766	HR Drain Pan Kit 27x66, Pack of 5
6-HK2766-1	HR Drain Pan Kit 27x66, Pack of 1
6-HK3050	HR Drain Pan Kit 30x60, Pack of 5
6-HK3050-1	HR Drain Pan Kit 30x60, Pack of 1
6-HK3060	HR Drain Pan Kit 30x60, Pack of 5
6-HK3060-1	HR Drain Pan Kit 30x60, Pack of 1

Drain Pans



HEAVY DUTY High Rise Pans

- Full 4.25" Rise from Bottom of Pan
- Heavy Reinforcement Throughout
- Suitable for Hanging Applications
- Water Flows Towards Sides
- Installation Kit Provided (Condensate Safety Overflow Switch, Anti-Vibration Pads, Fitting)



Product ID	Description
6-HK3050HD	HDHR Drain Pan Kit 30x50, Pack of 5
6-HK3060HD	HDHR Drain Pan Kit 30x60, Pack of 5
6-HK3070HD	HDHR Drain Pan Kit 30x70, Pack of 5

Furnace Pan

- Heavy Duty Construction
- Installation Kit Provided (Condensate Safety Overflow Switch, Heat Pump Risers, Fitting)



Product ID	Description
6-HK3364FUR	Furnace Drain Pan Kit 33x64, Pack of 1
6-HK3378FUR	Furnace Drain Pan Kit 33x78, Pack of 1

Seamless Metal Drain Pan

- Single-Piece Design
- Rolled Edge
- Two Outlets
- Fittings Included



Product ID	Description
6-M2748	Metal Drain Pan, 27x48, Pack of 5
6-M2763	Metal Drain Pan, 27x63, Pack of 5
6-M3030	Metal Drain Pan, 30x30, Pack of 5
6-M3050	Metal Drain Pan, 30x50, Pack of 5
6-M3060	Metal Drain Pan, 30x60, Pack of 5
6-M3263	Metal Drain Pan, 32x63, Pack of 5

Humidifier Drain Pan

- Designed for use with evaporative humidifiers
- CS-3 Condensate Safety Overflow Switch Included for Extra Protection
- Robust, single piece design



Product ID	Description
HM-PAN	Humidifier Drain Pan

Switches



Our switches are the brains of the operation. Designed to detect problems and shut the entire system off in case of water overflow or a clog in the condensate drain line, our switches add another layer of protection.

- Flood Switch
- Primary Drain Pan Switches
- Inline Switches
- Secondary Drain Pan Switches

Wet Switch[®] Flood Detector

Wet Switch Flood Detector is designed to prevent flooding, damage to carpets, walls, furniture, and ceilings.



- Turns Off with as Few as 1-2 Drops of Water Detection
- LED Indicators
- Connect Multiple Switches to Expand Protection Area
- Flexible Placement Options



Plenum Rated

Product ID	Description
WS-1	Wet Switch Flood Detector ■ ■

Dual Voltage Flood Detector

Wet Switch Dual Voltage Flood Detector has 12-Volt DC connections for installation into building automation systems and will transmit alarm signals to building maintenance if a flood is detected.

- 12 Volt: Integrates into Building Automation Systems and Transmits Alarm Signal with as few as 1-2 Drops of Water Detection
- 24 Volt: Works with All HVAC Systems



Plenum Rated

Product ID	Description
WS-2DV	Dual Voltage Flood Detector ■ ■

Switches



Latching Float Switch for Secondary Pan

The Asurity® BG-101 protects the HVAC circuit by eliminating intermittent condensate tripping with latching snap action

- Works on both metal and plastic drain pans
- Trips in 50% less water than most industry-standard switches
- Latching mechanism eliminates intermittent condensate tripping
- The system will remain off, even if the water has receded, until manually reset



BG-101

Product ID	Description
BG-101	Latching Switch-Pan

Latching Float Switch for Primary Pan

The Asurity® BG-301+ is a primary drain pan switch with a proprietary water reservoir and clear status window design that checks and measures the water level in your pan at several stages.

- Magnetic latching mechanism eliminates intermittent condensate tripping
- The system will remain off, even if the water has receded, until manually reset
- Latching mechanism eliminates intermittent
- System can be reset for short period while waiting for service



BG-301+T

Product ID	Description
BG-301+T	Latching Switch-Elbow+T
BG-302P+T	Latching Switch-Elbow Plenum Rated

Condensate Safety Overflow Switch

- LED Illuminates When Condensate Line is Blocked
- Built-In Protection Against Power Surges Provides Increased Reliability
- Three Installation Configurations for Increased Flexibility
- For Standard & Plenum Rated Installations in Primary or Auxiliary Lines



CS-1

Plenum Rated

Product ID	Description
CS-1	Pipe-Mounted Tee Switch
CS-1-BULK50	Pipe-Mounted Tee Switch (Bulk)

Condensate Safety Overflow Switch

- LED Illuminates When Condensate Line is Blocked
- Built-In Protection Against Power Surges Provides Increased Reliability
- For Standard & Plenum Rated Installations in Auxiliary Lines



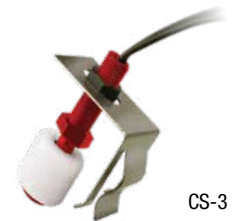
CS-2

Plenum Rated

Product ID	Description
CS-2	Pipe-Mounted Elbow Switch
CS-2-BULK50	Pipe-Mounted Elbow Switch (Bulk)

Condensate Safety Overflow Switch

- Adjustable Activation Height
- Position Anywhere Along the Drain Pan
- For Standard Rated Installations in Primary or Secondary Drain Pans



CS-3

Product ID	Description
CS-3	Drain Pan Clip Switch
CS-3-BULK50	Drain Pan Clip Switch (Bulk)

Condensate Safety Overflow Switch

- Position Anywhere Along Drain Pan
- Adjustable Activation Height - Minimum 1.5"
- Sensor Assembly Swivels to Accommodate Drain Pans with Sloped Sides
- Clamps Easily Over the Edge of All Drain Pan Types, Including Formed Plastic and Galvanized Sheet Metal



CC-1

Product ID	Description
CC-1	Safety Overflow Pan Switch

Switches



Condensate Safety Overflow Switch

- Position Anywhere Along Drain Pan
- Clamps Easily Over the Edge of All Secondary Drain Pan Types, Including Formed Plastic & Galvanized Sheet Metal
- Translucent Design for Easy & Fast Inspection
- LED Indicator Illuminates when Switch is Activated
- For Standard Rated Installations in Secondary Drain Pans



Product ID	Description
CS1200	AC Shutoff Switch

Condensate Safety Overflow Switch

- Fits Over 3/4" Standard Plastic Pipe without Cutting Drain Line
- Float Free Design, Ideal for Drier Environments
- Switch Orientation Adjusts Sensitivity
- Includes Easy to Attach Primary Drain Pan Fitting
- For Standard Rated Installations in Primary or Auxiliary Lines



SOS-1

Product ID	Description
SOS-1	Safety Overflow Switch

Installation Components



A variety of drain trap kits, some with switches, to meet different install requirements.



A/C Easy Tee

- Quickly Clear Condensate Lines
- Never Cut Condensate Lines Again
- Complies with Code 307.2.5



ST75

Product ID	Description
ET75	A/C Easy Tee Cleanout Port
ST75	A/C Easy Tee Service Tool Set

Waterless Trap

- Prevents Unwanted Air Leakage from Condensate Line
- Will Not Freeze or Dry Out
- Eliminates Sludge Buildup
- For Negative Pressure Applications



WTRAP

Product ID	Description
WTRAP	3/4" Waterless Trap

Installation Components



Drain Trap Kit

U Trap, Cleaning Brush

- Easy Installation and Troubleshooting
- Schedule 40 PVC Fittings
- Cleanout Tee
- Fits 3/4" PVC; 1" Drop



DTK113B

Product ID	Description
DTK113	3/4 in. Clear U Drain Trap Kit
DTK113B	3/4 in. Clear U Drain Trap Kit w/Brush

Drain Trap Kit With Safety Overflow Switch

U Trap, Cleaning Brush, Float Switch, Cross

- Easy Installation and Troubleshooting
- Schedule 40 PVC Fittings
- Cleanout Tee
- Fits 3/4" PVC; 2.25" Drop



DTK207

Product ID	Description
DTK207	3/4 in. Std.w/Float+ Drain Trap Kit

Drain Trap Kit With Safety Overflow Switch

U Trap, Cleaning Brush, Float Switch

- Easy Installation and Troubleshooting
- Schedule 40 PVC Fittings
- Cleanout Tee
- Fits 3/4" PVC; 2.25" Drop



DTK205

Product ID	Description
DTK205	3/4 in. Deep U Drain Trap Kit w/Overflow Switch

Drain Trap Kit With Safety Overflow Switch

U Trap, Cleaning Brush, Float Switch

- Easy Installation and Troubleshooting
- Schedule 40 PVC Fittings
- Cleanout Tee
- Fits 3/4" PVC; 1" Drop



DTK210

Product ID	Description
DTK210	3/4 in. Std.w/Float Drain Trap Kit

Treatments



High-efficiency furnaces and on-demand water heaters are great for the environment, but their acidic condensate is not. Asurity™ condensate treatments neutralize the condensate eliminating corrosive damage. Wet environments can cause slime and sludge build-up, leading to blockages. Our range of pan treatment products protect the condensate system reducing maintenance between visits.

Pro-Treat® Condensate Pan Treatment

Condensate Drain Pan Treatment controls odors and eliminates drain pan overflows and the resulting water damage.

- Controls Odor and Pan Overflows
- Combats Sludge, Slime, Fouling
- Helps Maintain Clean Drain Pan
- Approved for Computer Room Use

Product ID	Description	
PROTREAT-152	12 King Size Tablets	1 Tablet - 3 Tons/3Mo.
PROTREAT-161	100 Tablets	2 Tablet - 3 Tons/Mo.
PROTREAT-200	200 Tablets	2 Tablet - 3 Tons/Mo.
PROTREAT-217	200 Thin Tablets	3 Tablet - 3 Tons/Mo.
PROTREAT-350**	100 Tablets	3 Tablet - 3 Tons/Mo.

Notes: ***Industrial Use Only.



PROTREAT-181

Treatments



Pro-Treat[®] Condensate Pan Treatment

Pro-Treat Strip, 1-2 Ton kills odor-causing bacteria, lasts up to 6 months. (10 strips/pack for 1 to 2 ton equipment.) Use in primary drain pan of cooling equipment including air conditioners and refrigerators. Controls foul-smelling odors caused by mildew, fungi, bacteria, algae, and slime. For use in hotels, schools, colleges, hospitals, nursing homes, airports, and many other locations.

- Kills Odor-Causing Bacteria
- Controls Odor and Pan Overflows
- Combats Sludge, Slime, Fouling, and Algae Growth



Each Pan Strip is a 6-Month Treatment

Product ID	Description	Applications
PS-01	For Equipment From 1 to 2 Tons	10 Applications
PS-03	For Equipment From 3 to 5 Tons	6 Applications
PS-07	For Equipment From 7 to 12 Tons	2 Applications
PS-20	For Equipment From 10 to 25 Tons	1 Application
PS-40	For Equipment From 40 to 50 Tons	1 Application

EPA Registered

Flow-Plus[®] Condensate Pan Treatment

Drain Pan Treatment has a unique polymer formula to maintain condensate flow and prevent drain pan overflow. 200 mini-tablet jar for use with 1/3 to 3 ton equipment. No residue, no waste, non-clogging - with a long-term activated release, environmentally safe, non-toxic, and non-corrosive. Available in several sizes to meet specific equipment tonnage requirements.

- Maintains Condensate Flow and Prevents Drain Pan Overflow
- Activated When Condensate Flows Over Surface
- Deodorizes
- Stays in Place
- No Residue

Product ID	Description	Applications
FLOW-PLUS-200	200 Mini Tabs	For 1/3 to 3 Ton Units
FLOW-PLUS-25	25 Mini Tabs	For 1/2 to 3 Ton Units
FLOW-PLUS-6	Light Tonnage	For 3 to 5 Ton Units
FLOW-PLUS-10	Medium Tonnage	For 5 to 20 Ton Units
FLOW-PLUS-125	High Tonnage	For 20 to 50 Ton Units
FLOW-PLUS-CP	6 Pump Treatment Tablets	
SCM-185-8	Flow-Plus [®] Polymer Pan Treatment	(1) - 8lb Tub



FLOW-PLUS-25

Treatments



Horizontal Condensate Neutralizer

Neutralizer Cartridge, Wall Mount neutralizes condensate from natural gas or propane condensing boilers and furnaces. Low profile is suitable for drains near the floor; can be mounted horizontally or vertically. Prevents environmental harm, and drain and sewer corrosion. Maintains bacteria at a neutral level in septic systems. Includes neutralizing media.

- Suitable for 400,000 BTU/h at 93% Efficiency
- Prevents Acidic Condensate from Corroding Drains and Sewer Systems
- Helps Maintain a Neutral Environment for Bacteria in Septic Systems
- Suitable for Use on All Types of Natural Gas and Propane Appliances
- Includes Initial Charge of Neutralization Media



CNH-4K

Product ID	Description
CNH-4K	Horizontal Neutralizer Cartridge

Vertical Condensate Neutralizer

Neutralizer Cartridge, Vertical Mount is a wall-mount cartridge designed for vertical installation that neutralizes condensate from natural gas or propane condensing boilers and furnaces. Prevents environmental harm, and drain and sewer corrosion. Maintains bacteria at a neutral level in septic systems. Includes neutralizing media.

- Has the Same Features as Horizontal Condensate Neutralizer
- Float System Indicates if Unit has Become Plugged
- Integral Bypass Feature Prevents Condensate Backflow into Appliance
- 3/4" FNTP Inlet and Outlet Connections
- Includes Initial Charge of Neutralization Media



CNV-4K

Product ID	Description
CNV-4K	Vertical Neutralizer Cartridge

Neutralization Tank

Neutralizer Tank, Low Profile neutralizes condensate from natural gas or propane condensing boilers and furnaces. Low profile is suitable for drains located near the floor. Prevents environmental harm, and drain and sewer corrosion. Maintains bacteria at a neutral level in septic systems. Includes neutralizing media.

- Suitable for 3 Million BTU/h at 93% Efficiency
- Prevents Acidic Condensate from Corroding Drains and Sewer Systems
- Helps Maintain a Neutral Environment for Bacteria in Septic Systems
- Suitable for Use on All Types of Natural Gas and Propane Appliances



CNT-3M

Product ID	Description
CNT-3M	Low Profile Neutralization Tank

Neutralization Media

Prevents Acidic Condensate from Corroding Drains and Sewer Systems

Replacement For

CNM-4K	CNV-4K CNH-4K CNHK-4K
CNM-BULK	CNV-4K CNH-4K CNHK-4K
CNM-3M	CNT-3M

Drain Line, Tubing



For applications ranging from air conditioning and refrigeration condensate drains, condensate pump discharge lines to humidifier overflow lines.

Clear Vinyl Tubing

Clear vinyl hose applications include: air conditioning and refrigeration condensate drains, condensate pump discharge lines and humidifier overflows.

Product ID	Description
7-10	1" ID Clear Vinyl Tubing – 100' section
7-12	1/2" ID Clear Vinyl Tubing – 100' section
7-14	1/4" ID Clear Vinyl Tubing – 100' section
7-34	3/4" ID Clear Vinyl Tubing – 100' section
7-38	3/8" ID Clear Vinyl Tubing – 100' section
7-58	5/8" ID Clear Vinyl Tubing – 100' section
7-78	7/8" ID Clear Vinyl Tubing – 100' section



7-14

Gorilla Tube™ Clear Vinyl Tubing

Applications include: air conditioning and refrigeration condensate drains, condensate pump discharge lines, and humidifier overflows. Several sizes from 1/4" to 1" diameter. Non-toxic clear vinyl chloride. Select Gorilla Tube™ over standard clear vinyl tube because:

- Extra rigid design resists crimping and kinking due to durometer value of 80 (Shore A) and thicker wall
- Maximum service temperature 140°F (60°C)

Product ID	Description
7-12P	1/2", .500" I.D., .631" O.D., .066 wall thickness
7-14P	1/4", .250" I.D., .360" O.D., .055 wall thickness
7-34P	3/4", .750" I.D., .913" O.D., .082 wall thickness
7-38P	3/8", .375" I.D., .495" O.D., .060 wall thickness
7-58P	5/8", .625" I.D., .771" O.D., .073 wall thickness
7-78P	7/8", .875" I.D., 1.050" O.D., .088 wall thickness



7-14P

Seal Leaks



The proven Flex Shot formula that permanently seals and prevents future leaks, no runtime required. The sealant installs in seconds with our patented delivery system. Compatible with units up to 12 Tons.



HVAC/R Leak Sealant
Contents: 1 Hose & 1 Set
Of Fittings



HVAC/R Leak Sealant
Contents: 4
Hoses
985M-MC



Inject Adapters
IA-MC

Super Seal Flex-Inject®

Super Seal Flex Inject® is the fastest, most effective proven way to permanently seal and prevent minor air conditioning and refrigeration (AC/R) leaks. With no tools or gauges required, the Flex Inject® sealant works by travelling through the system with the oil and refrigerant fixing leaks immediately (up to 300 microns). Flex Inject® works with all compressors, heat pumps, condensers, and other system components and it will not plug up manifold gauges, metering devices, thermostatic

expansion valves (TXVs), pistons or cause cap tube blockages. It meets the ASHRAE ARI 700 refrigerant standard and is compatible with any refrigerant including R-410A with no pump downs or recoveries required. Flex Inject® is

suitable for use in aluminum and copper coils and is microchannel friendly Gorilla Tube™ Clear Vinyl Tubing Applications include: air conditioning and refrigeration condensate drains, condensate pump discharge lines, and humidifier overflows. Several sizes from 1/4" to 1" diameter. Non-toxic clear vinyl chloride. Select Gorilla Tube™ over standard clear vinyl tube because:

- Extra rigid design resists crimping and kinking due to durometer value of 80 (Shore A) and thicker wall
- Maximum service temperature 140°F (60°C)



985

Product ID	Description
985	Super Seal Flex Inject® Advanced

Find & Seal Leaks



These Flex Shot products use a UV dye to quickly find leaks, and our proven formula to permanently seal them, no runtime required. The sealant installs in seconds with our patented delivery system. Compatible with units up to 12 Tons.



HVAC/R Leak Sealant with UV DYE

Contents: 1 Hose & 1 Set Of Fittings
995S-MC



HVAC/R Leak Sealant with UV DYE

Contents: 4
Hoses
995M-MC



Inject Adapters

Contents: 1 Set Of Fittings
IA-MC

Super Seal Flex-Inject® Total

Flex-Inject® Sealant Total is the fastest, most effective proven way to permanently detect, seal, and prevent HVAC/R leaks. One tube can be installed in systems up to 6 tons ranging from small appliances and residential applications to light commercial systems.



Product ID	Description
995	Super Seal Flex Inject® Total w/UV Dye



995

Find & Seal Leaks



Super Seal Sealant Advanced

Super Seal Sealant Advanced 2-in-1 eliminates moisture and seals to stop and prevents leaks. Super Seal Advanced installs quickly with no pump down or recovery. It's compatible with all oils and refrigerants and ideal for all systems including microchannel, heat pump and geothermal. Super Seal Advanced stops leaks now and prevents future ones too.

Product ID	Description
944KIT	Super Seal Sealant Advanced for medium systems from 1.5 to 5 Tons
947KIT	Super Seal Sealant Advanced for small systems up to 1.5 tons
948KIT	Super Seal Sealant Advanced for large systems 5+ Tons



944KIT

Super Seal Sealant Total

Super Seal Sealant Total 3-in-1 dries, seals and includes Flash UV dye for a complete repair solution. Super Seal Total is fast and easy to install and requires no pump down or recovery. It's compatible with all oils and refrigerants and ideal for all systems including microchannel, heat pump and geothermal. Super Seal Total stops leaks now and prevents future ones too.

Product ID	Description
971KIT	Super Seal Sealant Total for Small Systems - Up To 1.5 Tons
972KIT	Super Seal Sealant Total for medium systems between 1.5 and 5 Tons



971KIT

Sure Shot™ Sealant Total

Sure Shot™ Sealant Advanced with Eco Boost is a compressor-friendly method of permanently sealing leaks in AC/R systems. Eco Boost reduces noise and energy consumption, extends compressor life, plus eliminates 10 drops of water. It also enhances sealant performance, increases drier efficiency, while preventing acid/waxing formation. Sure Shot is added through an easy to inject syringe. One application works for systems up to 6 tons.

Product ID	Description
984	Sure Shot Sealant Advanced HVAC/R Stop Leak Refill - Up To 6 Tons



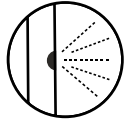
983KIT

Additives



Boost Juice®

Works to raise system performance by up to 22% while eliminating moisture and reducing compressor noise. Compatible with units up to 12 Tons.



ENHANCE PERFORMANCE



Boost Juice®

HVAC/R Performance Enhancer

Boost Juice® by DiversiTech

Boost Juice® is an HVAC/R system performance improvement additive that lowers energy costs by reducing the amperage draw up to 22% (testing average of 13%) on a system when running. It does this by lubricating the components, removing moisture and oxygen, and dissolving particle debris to a molecular level. This debris is captured in the liquid line drier reducing drag and friction for the refrigerant and oil.

By using Boost Juice, your customers can expect to see noticeable improvements in system performance typically within 24 to 72 hours (depending on the state of the system – new versus old) with consistent performance. Noise levels will also be reduced once Boost Juice is installed providing a long-term benefit to your customers.



992

Product ID	Description
993KIT	Boost Juice Moisture Eliminator and Performance Enhancer - Up To 6 Tons
992	Boost Juice Inject HVAC/R System Performance Improvement Additive- Up to 6 Tons

Dry R

Dry R eliminates moisture and increases system efficiency. It also dissolves blockages and frees up TXVs - preventing acid and waxing formation. Dry R is compatible with all oils and refrigerants and one can treats systems up to 5 tons.



973KIT

Product ID	Description
973KIT	Dry R Moisture Eliminator - Up To 5 Tons

Flushing & System Conversion Solution Products



Super Change®

Save time on system conversions with Super Change® retrofit that won't plug TXVs or cap tubes or pistons. Compatible with units up to 12 Tons.



REFRIGERANT RETROFIT



Super Change®

Refrigerant Retrofit

Contents: 1 Hose

991-MC

Super Change™ by DiversiTech

Super Change™ in a can and Super Change™ Inject allows professional HVAC/R contractors a fast and easy way to convert a system from non-POE based oils and refrigerants such as R22 to newer HFC refrigerants including POE-based R407C and R410A without the need to flush the system (excluding compressor burnouts). By adding Super Change with the new refrigerant and oil, a chemical link is created between the old and new oil, thus avoiding a full flush and saving contractors significant time on a system changeout.



981

Product ID	Description
981	Super Change eliminates oil change outs replacing R22 line set conversion flushes. Ideal for dry charged units, retrofits, and drop-in refrigerants, Super Change maximizes oil return and heat transfer including POE charged compressors. Reusable hose 20122
991	Super Change Inject is used to convert old refrigerants such as R22 to newer HFC refrigerants like R407C and R410A for systems up to 6 Tons

Flushing & System Conversion Solution Products



Pro-Flush™

A flushing solvent for A/C and refrigeration systems formulated for R-410A retrofits, refrigerant conversions and compressor burnouts. Compatible with all refrigerants and compressor oils. All solvents in Pro-Flush™ conforms to EPA SNAP standards: low toxicity and residue-free.

Available as a kit or in an 8 or 16 oz. solvent refill. The kit makes servicing quick, easy, and safe, as well as assuring you get to the job site with all necessary hardware in hand for 1-stop servicing. The kit includes: 8 oz. container of Pro-Flush™ solvent, refillable Pro-Flush™ injector tool pressure tank, pressure relief valve for added safety, large rubber adapter that flushes up to 1-1/4" line sets, service hose.

Product ID	Description
PF-08	Pro-Flush™ HVAC Flushing Solvent – 8 oz. Refill
PF-16	Pro-Flush™ HVAC Flushing Solvent – 16 oz. Refill
PF-KIT	Pro-Flush™ Kit – injector, 8 oz. refill, nozzle adapter and hose



PF-KIT

Pro-Flush™ Accessories

Pro-Flush Accessories include replacement parts and special fittings to maintain your Pro-Flush flushing system.

Product ID	Description
PF-ADAPTER	Pro-Flush™ Line Set Adapter - Includes fittings for 3/8", 3/4", 7/8" lines
PF-IHOSE	2ft. Replacement Hose
PF-IGUN	Replacement Injector Tool



PF-ADAPTER

Leak Detectors & Accessories



Flash Detect UV Dye Solutions

Flash™ Detect Inject (990) is an integrated UV dye solution that injects just like Flex Inject Sealant Advanced and Total without the use of tools or manifold gauges. As soon as it enters the system, the green dye quickly exposes leaks with the use of a UV light (the Cliplight by DiversiTech 89DC is recommended). Flash™ Detect Inject is ideal in locations where leaks are not easily spotted with conventional methods. The highly soluble fluid exposes all leaks, making them easy to find. You can then use either DiversiTech's Super Seal Sealant Advanced (can version) or Flex Inject Sealant Advanced (flexible hose version) to fix the leak.

Flash™ Detect UV dye (980) is the can version of the advanced class of highly concentrated ultraviolet dye that uses DRY R™ instead of POE oil as its carrier. One can treats up to 64 oz (1.8L) of oil. Flash Detect UV dye uses the system's refrigerant as the propellant – creating a clean, no-mess injection every time

Required hose sold separately (20122).

Product ID	Description
980	Flash Universal UV Dye - Up To 5 Tons
990	Flash Detect Inject UV dye for detecting leaks for systems up to 6 tons



980

Leak Detectors & Accessories



SEEKERmini™

Leak Detection UV LED Light

- High-powered UV LED
- High, low, or strobe light
- Focusable beam
- Rugged aluminum body
- 3 AAA batteries included
- No UV enhancing glasses needed



84DCPLUS

Product ID	Description
84DCPLUS	SEEKERmini - UV Led Light - 3 AAA Batteries Included

Coil Cleaners



Triple-D®

Triple-D® is a universal, medium-duty coil cleaner. It's low foaming, alkaline detergent is metal safe and fin friendly, and is microchannel and mini-split safe. Use this coil cleaner indoor or outdoor to degrease and deodorize condensers and evaporators.

- Ultimate medium-duty coil cleaner for condensers & evaporators
- Indoor & outdoor low-foaming alkaline detergent
- Metal safe & fin friendly
- Economical: 1 gallon makes 7 gallons of coil cleaner
- NSF approved
- More convenience to choose from with NEW packaging options:
4 times concentrate quart & handy 1 shot 4 oz. bottle

Product ID	Description
TRIPLE-D	Triple-D® – 1 gallon concentrate
TRIPLE-D-32	Triple-D® – 32 oz. bottle – concentrate
TRIPLE-D-AER	Triple-D® – 19 oz. Aerosol
TRIPLE-D-RTU	Triple-D® – 1 quart trigger sprayer – pre-diluted
TRIPLE-D-1SHOT	Coil Cleaner, Triple-D 1 Shot 4oz
TRIPLE-D-4X	Coil Cleaner, Triple-D, 4x Concentrated 32oz



Coil Cleaners



Pro-Green™

- No-rinse mild alkaline
- Non-fuming for indoor use
- Aluminum safe for microchannel and mini-splits
- Non-toxic, non-corrosive
- Economical: 1 gal. makes 4 gallons of coil cleaner
- NSF approved
- More convenience to choose from with NEW packaging options:
4 times concentrate quart & handy 1 shot 4 oz. bottle

Product ID	Description
PRO-GREEN	Pro-Green™ No Rinse (non-toxic) – 1 gallon container
PRO-GREEN-32	Pro-Green™ No Rinse (non-toxic) – 32 oz. bottle
PRO-GREEN-AER	Pro-Green™ Foaming Concentrate (non-acid) – Aerosol
PRO-GREEN-1SHOT	Coil Cleaner, Pro-Green 1 Shot 4oz
PRO-GREEN-4X	Coil Cleaner, Pro-Green, 4x Concentrated 32oz



Pro-Blue™

- Heavy-duty foaming outdoor coil cleaner
- Brightens coils
- Penetrates dirt, grease & grime
- Great for small condensers
- Economical: 1 gallon makes 4 gallons of coil cleaner
- NSF approved
- More convenience to choose from with NEW packaging options:
4 times concentrate quart & handy 1 shot 4 oz. bottle.

Product ID	Description
PRO-BLUE	Pro-Blue™ Foaming Concentrate (non-acid) – 1 gallon container
PRO-BLUE-32	Pro-Blue™ Foaming Concentrate - 32oz. bottle
PRO-BLUE-AER	Pro-Blue™ Foaming Concentrate (non-acid) – Aerosol
PRO-BLUE-1SHOT	Coil Cleaner, Pro-Blue 1 Shot 4oz
PRO-BLUE-4X	Coil Cleaner, Pro-Blue, 4x Concentrated 32oz



Coil Cleaners



Pro-Red+™

- Foaming alkaline detergent
- Lifts away grime
- Corrosion-inhibiting formula
- Great for condensers
- Economical: 1 gallon makes 4 gallons of coil cleaner
- NSF approved
- More convenience to choose from with NEW packaging options:
- 4 times concentrate quart & handy 1 shot 4 oz. bottle.



PRO-RED-1SHOT



PRO-RED+

PRO-RED-4X

Product ID	Description
PRO-RED+	Pro-Red Plus™ Cleaner and Brightener (non-acid) – 1 gallon container
PRO-RED-1SHOT	Coil Cleaner, Pro-Red 1 Shot 4oz
PRO-RED-4X	Coil Cleaner, Pro-Red, 4x Concentrated 32oz

Pro-Yellow™

- Aggressive cleaning agents & detergents for stubborn jobs
- Foaming alkaline cleaner
- Ideal for small & large condensers
- Brightens coils
- Penetrates dirt, grime & oxide deposits
- Economical: 1 gallon makes 3 gallons of coil cleaner
- NSF approved

Product ID	Description
PRO-YELLOW	Pro-Yellow™ (non-toxic) – 1 gallon container



PRO-YELLOW

Pro-Brown™

- Powerful cleaning agents & detergents for outdoor jobs
- Foaming alkaline cleaner
- Ideal for aluminum heating & cooling coils
- Brightens coils
- Penetrates dirt, grime & oxide deposits
- Economical: 1 gallon makes 4 gallons of coil cleaner
- NSF approved

Product ID	Description
PRO-BROWN	Pro-Brown™ Foaming Coil Cleaner – 1 gallon container
PRO-BROWN-AER	Pro-Brown Aerosol



PRO-BROWN

Soldering & Heat Sheilding

Silicone

302 (GP) General Purpose

- Available in multiple colours
- The ideal multiple purpose silicone sealant for all weather applications
- NSF Approved
- 100% Silicone
- 100% RTV



Product ID	Colour	Size (ml/oz)	Cs. Qty
83-30280	Clear	83/2.8(squeeze tube)	24
83-30283	Black	83/2.8(squeeze tube)	24
83-30201	White	300/10.15	12
83-30200	Clear	300/10.15	12
83-30202	Aluminium	300/10.15	12
83-30203	Black	300/10.15	12

302 (HT) High Temperature

- Withstands temperatures of 260°C(500°F) constant and 316°C(600°F) intermittent
- An ideal silicone for extreme temperature applications



Product ID	Colour	Size (ml/oz)	Cs. Qty
83-30289	Red- HT	83/2.8 (Squeeze Tube)	24
83-30293	Black-HT	83/2.8 (Squeeze Tube)	24
83-30209	Red-HT	300/10.15	12
83-30213	Black-HT	300/10.15	12

Insulation Tubes

Flexible Closed Cell Elastomeric Pipe Insulation



- Tubes are black and unslit
- Available in 3/8", 1/2", 3/4" and 1" wall thickness for 1/4" to 3 1/8" OD copper tube size
- Foamed nitrile rubber (NBR)
- Environmentally friendly CFC free
- Temperature range -40°C to 105°C (special build available to -200°C)
- Will not harden or become brittle at temperatures as low as -40°C
- Talc coating on inner surface allows for quick, easy installation over pipes
- Odourless and will not corrode copper
- Standards: CAN/ULC S102.2, ASTM E84, DIN52 218, DIN 52 612, DIN 52 613, DIN 52 615, BS 476 Part 6, BS 476 Part 7, RoHS compliant
- Self-extinguishing fire reaction and will not drip
- Fibre and dust free



Cell Structure	Closed foamed nitrile rubber
Density- KG/M ³	60-80
Thermal Conductivity- W/M-K	0.038
Temperature Limit C°	-40°C to +105°C
Water Absorption	3
Resistance to Ozone	Excellent
Fire Rating	CAN/ULC S102.2, ASTM E84,
Flammability	Self Extinguishing
Fire Propagation	BS 476 part 6&7
Odour	None
Copper Corrosion	No Corrosion
Mildew Resistance	Passed

This product is made from a closed cell elastomeric material. It is soft, flexible, heat and cold resistant, flame retardant, waterproof, shock and sound absorbing. Wraptite Insulation tubes are dust free, fiber free, CFC free, and have an ODP of zero. They are also formaldehyde free, have low VOCs, and are resistant to mold and mildew.

Thickness Recommendations

Environmental Conditions: 27°C/50%RH

Pipe Size	Line Temp			
	14°C (58°F)	7°C (45°F)	5°C (37°F)	-18°C (0°F)
10mm (3/8") I.D. to 76mm (3") I.P.S	9mm (3/8")	9mm (3/8")	9mm (3/8")	19mm (3/4")

Environmental Conditions: 30°C/70%RH

Pipe Size	14°C (58°F)	7°C (45°F)	5°C (37°F)	-18°C (0°F)
10mm (3/8") I.D. to 76mm (3") I.P.S	13mm (1/2")	19mm (3/4")	19mm (3/4")	38mm (1 1/2")

Environmental Conditions: 32°C/80%RH

Pipe Size	14°C (58°F)	7°C (45°F)	5°C (37°F)	-18°C (0°F)
10mm (3/8") I.D. to 76mm (3") I.P.S	13mm (1/2")	19mm (3/4")	19mm (3/4")	38mm (1 1/2")

Environmental Conditions: 32°C/85%RH

Pipe Size	14°C (58°F)	7°C (45°F)	5°C (37°F)	-18°C (0°F)
10mm (3/8") I.D. to 76mm (3") I.P.S	13mm (1/2")	19mm (3/4")	19mm (3/4")	38mm (1 1/2")

Insulation Tubes



Alltemp Product ID	Wall Thickness	Copper Tube Size		Iron Pipe Size (IPS)		Pcs/Ctn	Ft/Ctn
		HVAC/R (OD)	Plumbing (ID)	Nominal			
82-PW3814	3/8"	1/4"	-	-		168	1008
82-PW3838	3/8"	3/8"	1/4"	1/8"		120	720
82-PW3812	3/8"	1/2"	3/8"	1/4"		100	600
82-PW3858	3/8"	5/8"	1/2"	3/8"		90	540
82-PW3834	3/8"	3/4"	5/8"	-		72	432
82-PW3878	3/8"	7/8"	3/4"	1/2"		65	390
82-PW38118	3/8"	1 1/8"	1"	3/4"		49	294
82-PW38138	3/8"	1 3/8"	1 1/4"	1"		36	216
82-PW38158	3/8"	1 5/8"	1 1/2"	1 1/4"		30	180
82-PW38218	3/8"	2 1/8"	2"	-		20	120
82-PW38258	3/8"	2 5/8"	2 1/2"	-		18	108
82-PW1214	1/2"	1/4"	-	-		100	600
82-PW1238	1/2"	3/8"	1/4"	1/8"		90	540
82-PW1212	1/2"	1/2"	3/8"	1/4"		72	432
82-PW1258	1/2"	5/8"	1/2"	3/8"		63	378
82-PW1234	1/2"	3/4"	5/8"	-		56	336
82-PW1278	1/2"	7/8"	3/4"	1/2"		42	252
82-PW12118	1/2"	1 1/8"	1"	3/4"		36	216
82-PW12138	1/2"	1 3/8"	1 1/4"	1"		30	180
82-PW12158	1/2"	1 5/8"	1 1/2"	1 1/4"		25	150
82-PW12218	1/2"	2 1/8"	2"	-		18	108
82-PW12258	1/2"	2 5/8"	2 1/2"	-		13	78

Alltemp Product ID	Wall Thickness	Copper Tube Size		Iron Pipe Size (IPS)		Pcs/Ctn	Ft/Ctn
		HVAC/R (OD)	Plumbing (ID)	Nominal			
82-PW3438	3/4"	3/8"	1/4"	1/8"		36	216
82-PW3412	3/4"	1/2"	3/8"	1/4"		30	180
82-PW3458	3/4"	5/8"	1/2"	3/8"		30	180
82-PW3434	3/4"	3/4"	5/8"	*		25	150
82-PW3478	3/4"	7/8"	3/4"	1/2"		24	144
82-PW34118	3/4"	1 1/8"	1"	3/4"		20	120
82-PW34138	3/4"	1 3/8"	1 1/4"	1"		16	96
82-PW34258	3/4"	2 5/8"	2 1/2"	*		9	54
82-PW34318	3/4"	3 1/8"	3"	*		8	48
82-PW138	1"	3/8"	1/4"	1/8"		30	180
82-PW112	1"	1/2"	3/8"	1/4"		24	144
82-PW158	1"	5/8"	1/2"	3/8"		20	120
82-PW134	1"	3/4"	5/8"	*		20	120
82-PW178	1"	7/8"	3/4"	1/2"		18	108
82-PW1118	1"	1 1/8"	1"	3/4"		16	96
82-PW1138	1"	1 3/8"	1 1/4"	1"		12	72
82-PW1158	1"	1 5/8"	1 1/2"	1 1/4"		12	72

Insulation Products

Wraptite Rubberized Cork Insulation Tape



Formulated to provide insulation and to prevent condensation on hot or cool pipes, fittings and tubing used in heating, air conditioning, refrigeration and plumbing applications. Cork Insulation Tape adheres well to most clean, dry surfaces and to itself, making it possible to apply more than one layer without adding fasteners or adhesives.

It is sufficiently soft and pliable enabling it to be molded around most fittings or connections. The material retains its flexibility and adhesion after prolonged exposure to UV and over a service temperature range of -29°C to 88°C (-20°F to 190°F). Cork Insulation Tape is black in colour and has a grainy, rubber-like consistency which is non-toxic and non-asbestos.



Product ID	Description
84-PT-30	Cork Tape 1/8" x 2" x 30' Roll

Wraptite Foam Insulation Tape

Foam Insulation Tape is designed to seal, insulate and isolate vibration in air conditioning and refrigeration applications. The soft, flexible, closed cell sponge tape with paper covered self-adhesive backing seals out air and moisture while reducing heat loss or transfer. Cold water pipes, valves, chilled water and refrigeration lines can be wrapped to prevent sweating or condensation while hot water pipes and pipe heaters can be wrapped to insulate against heat loss.

Easily applied by hand, Wraptite Foam Insulation Tape adheres well to most clean, dry surfaces and to itself, making it possible to apply more than one layer. The formulated operating temperature of Wraptite Foam Insulation Tape is between -34°C to 82°C (-30°F to 180°F) with the ability to intermittently tolerate temperature of 98°C (210°F).



Product ID	Description
84-FT-30	Foam Tape 1/8" x 2" x 30' Roll

Wraptite Slugs & Cords

Sealing slugs & cord are soft, permanently pliable, water-resistant sealants having a wide variety of applications. The product has the unique quality of retaining the same consistency throughout its application range of -7°C to 60°C (20°F to 140°F). Non-asbestos and non-hardening, remains flexible to -7°C (-20°F).

Sealing slugs & cords are used widely in the air conditioning and refrigeration industries to seal around outer cases, behind hinges and under breaker strips. They can be used to seal out air or moisture around utility panels, cables, ducts, window frames and metal joints. This product adheres to metal, wood, glass, plastic and most clean surfaces to provide an effective barrier against water, moisture, dirt and dust. It is non-staining, non-bleeding, odorless and can be painted.

84-PC-30
Illustrated



84-PS-30
Illustrated



Product ID	Description
84-FT-30	3/8" x 25' Cord
84-PS-30	2 lb. Slug



Tapes

Aluminum Foil Tape

Prevents heating and cooling losses. Blocks odors and moisture. Easy to handle. Use for HVAC and refrigeration systems. -35degree F to plus 260 degree F working temperatures. 3-5 year shelf life.



Product ID	Description
640-AF2	2in. Aluminum Foil Tape – 50 yds.
640-AF25	2-1/2in. Aluminum Foil Tape – 50 yds.
640-AF3	3in. Aluminum Foil Tape – 50 yds.



Flex Duct Tape

Specially designed to meet new UL181B-FX code for flex duct. Higher adhesion and tack than traditional cloth duct tapes. Conformable, hand tearable foil; 3 mil thickness. 2in. x 120 yds. Code identification printed on the tape. Acrylic adhesive for superior performance in extreme environments. (-35 degree F to 260 degree F)

Product ID	Description
640-FD3S	Flex Duct Tape – Silver – 3in.
640-FD2B	Flex Duct Tape – Black – 2in.
640-FD2S	Flex Duct Tape – Silver – 2in.



Foil Scrim Kraft Tape

Non-tearable, diamond patterned backing with an aggressive rubber based adhesive system for consistently dependable performance. Made in the USA.

Product ID	Description
640-FSK3	Foil Scrim Kraft Tape – 3in. – 50 Yards



UL Listed Foil Tape

Unique acrylic adhesive for airtight bonds on joints and seams of fiberglass duct systems. Flexible, easy to use. Meets or exceeds performance standard AFLS-100-73 and UL 181 A-P.

Product ID	Description
640-UL25	UL 181 Listed Foil Tape – 2-1/2in. – 60 Yards
640-UL3	UL 181 Listed Foil Tape – 3in. – 60 Yards
640-UL3SP	UL 181 Listed Foil Tape – 3in. – 60 Yards - Single Peel



Cloth Duct Tapes

High-tack, excellent strength. Superior performance in sealing air handling systems. Heavy cloth content for easier tearing and additional strength. Made in the USA.

Product ID	Description
PC-857	Tape, Metallized Flex Duct
PC-600-B	2in. x 60 Yards – Contractor Grade Duct Tape – Black
PC-600-S	2in. x 60 Yards – Contractor Grade Duct Tape – Silver
PC-609-B	2in. x 60 Yards – Industrial Grade Duct Tape – Black
PC-609-S	2in. x 60 Yards – Industrial Grade Duct Tape – Silver
PC-622-B	2in. x 60 Yards – Premium Grade Duct Tape – Black
PC-622-S	2in. x 60 Yards – Premium Grade Duct Tape – Silver



Straps

Duct Strap – Metallic – Roll

Galvanized duct strap in a convenient cardboard dispenser is not only easy to drill or nail, but also solid strapping. Plenum rated.



Product ID	Description
710-001	Metallic Duct Strap, 26 Gauge, 1 x 100
710-002	Metallic Duct Strap, 30 Gauge, 1 x 100
710-003	Metallic Duct Strap – 30 Gauge – 1-1/2in x 100ft.
710-004	Metallic Duct Strap – 26 Gauge – 1-1/2in. x 100ft.
710-005	Metallic Duct Strap – 22 Gauge – 1in. x 100ft.



Duct Strap – Woven Polypropyl

Webbed duct strap processing high tensile and abrasion resistance. This can be used for flex duct as it is easy to cut and staple to joists. The product is chemical resistant.

Product ID	Description
710-100	Duct Strap – 1-3/4in. x 100 Yards – Black
710-101	Duct Strap – 1-3/4in. x 100 Yards – Silver
710-102	Duct Strap – 3in. x 100 Yards – Black
710-103	Duct Strap – 3in. x 100 Yards – Silver
710-104	UL Duct Strap–1-3/4in x 100 Yards–Black
710-105	Duct Strap – 1-3/4in. x 100 Yards – Silver - UL approved



Duct Fans

Duct Fans

An efficient way to increase air circulation, keep room temperatures consistent, and lower heating and cooling costs. Metal construction, powerful no-maintenance motors and a one-use thermal fuse mean these fans will be up to the task for years. Straightforward installation into any 120V system with detailed instructions, templates, and diagrams. Available in many sizes. A great way to give slow vents a boost. Conforms to UL STD 507, Certified to CSA STD C22.2 number 113



Product ID	Description
625-AF10	Duct Fan 10in. diameter, 650 CFM, 60W
625-AF6	Duct Fan 6in. diameter, 240 CFM, 37W
625-AF8	Duct Fan 8in. diameter, 420 CFM, 37W



SpeediChannel™ Line Set Cover System



SpeediChannel™ Line Set Cover System is a system used to cover line sets, drain lines, and control cables when they can not be installed in a wall. Featuring the unique SpeediClip™, DiversiTech's SpeediChannel™ system can be installed extremely quickly by one person.

Flexible Hose Kits

Flexible hose kits of SpeediChannel™ that are protecting the line set from the condensing unit to the wall. They also provide a quick and easy connection between two lengths of channels over or around obstacles. The kits come with everything needed for a clean professional installation.



Product ID	Description
230-FH3-KIT	SpeediChannel 3in. Flex Hose Kit Ivory
230-FH3W-KIT	SpeediChannel 3in. Flex Hose Kit White
230-FH4-KIT	SpeediChannel 4in. Flex Hose Kit Ivory
230-FH4W-KIT	SpeediChannel 4in. Flex Hose Kit White

Wall Penetration

Wall sleeves and penetration covers are used to transition from the SpeediChannel™ system to a through wall penetration. The wall sleeve creates a neat hole through the wall, and the line set is covered by the wall cover. DiversiTech's wall covers are designed to allow for easy installation - even after the line set has been installed. A unique hooking and fastening arrangement allows for quick and easy installation. Each wall cover is individually packed, and is furnished complete with stainless steel screws to attach the wall cover to the base. Three screws (supplied by others) are needed to fasten the wall cover to whatever type of wall construction the system is being installed on.

Product ID	Description
230-WC3	SpeediChannel 3in. Wall Penetration Cover
230-WC3B	SpeediChannel 3in. Wall Penetration Cover Brown
230-WC3W	SpeediChannel 3in. Wall Penetration Cover White
230-WC4	SpeediChannel 4in. Wall Penetration Cover
230-WC4B	SpeediChannel 4in. Wall Penetration Cover Brown
230-WC4W	SpeediChannel 4in. Wall Penetration Cover White
230-WC6	SpeediChannel 6in. Wall Penetration Cover
230-WC6W	SpeediChannel 6in. Wall Penetration Cover White
230-WS2	SpeediChannel 2-1/2" Wall Penetrating Sleeve



90° Flat Bend

90 degree flat bends are used to route the SpeediChannel™ around an obstacle. Each bend is individually packed, and is furnished complete with stainless steel screws.

Product ID	Description
230-FB3	SpeediChannel 3in. 90 Degree Flat Bend
230-FB3B	SpeediChannel 3in. 90 Degree Flat Bend Brown
230-FB3W	SpeediChannel 3in. 90 Degree Flat Bend White
230-FB4B	SpeediChannel 4in. 90 Degree Flat Bend Brown
230-FB4W	SpeediChannel 4in. 90 Degree Flat Bend White
230-FB6	SpeediChannel 6in. 90 Degree Flat Bend
230-FB6W	SpeediChannel 6in. 90 Degree Flat Bend White



SpeediChannel™ Line Set Cover System

45° Flat Bend

45 degree flat bends are used to route the SpeediChannel™ around an obstacle. Each bend is individually packed, and is furnished complete with stainless steel screws.



Product ID	Description
230-FB453	SpeediChannel 3in. 45 Degree Flat Bend
230-FB453B	SpeediChannel 3in. 45 Degree Flat Bend Brown
230-FB453W	SpeediChannel 3in. 45 Degree Flat Bend White
230-FB454	SpeediChannel 4in. 45 Degree Flat Bend
230-FB454B	SpeediChannel 4in. 45 Degree Flat Bend Brown
230-FB454W	SpeediChannel 4in. 45 Degree Flat Bend White
230-FB456	SpeediChannel 6in. 45 Degree Flat Bend
230-FB456W	SpeediChannel 6in. 45 Degree Flat Bend White



90° Inside Elbow

90 degree inside elbows are used to route the SpeediChannel™ around an inside corner. Each elbow is individually packed, and is furnished complete with stainless steel screws.

Product ID	Description
230-EB3	SpeediChannel 3in. 90 Degree Inside Elbow
230-EB3B	SpeediChannel 3in. 90 Degree Inside Elbow Brown
230-EB3W	SpeediChannel 3in. 90 Degree Inside Elbow White
230-EB4	SpeediChannel 4in. 90 Degree Inside Elbow
230-EB4B	SpeediChannel 4in. 90 Degree Inside Elbow Brown
230-EB4W	SpeediChannel 4in. 90 Degree Inside Elbow White
230-EB6	SpeediChannel 6in. 90 Degree Inside Elbow
230-EB6W	SpeediChannel 6in. 90 Degree Inside Elbow White



90° Long Radius Bend

90 degree long radius flat bends are used to route the SpeediChannel™ around an obstacle. The long radius of the elbow allows a gentle bending radius on the copper line set. Each elbow is individually packed, and is furnished complete with stainless steel screws.

Product ID	Description
230-LFB3	SpeediChannel 3in. 90 Degree Long Radius Bend
230-LFB3B	SpeediChannel 3in. 90 Degree Long Radius Bend Brown
230-LFB3W	SpeediChannel 3in. 90 Degree Long Radius Bend White
230-LFB4	SpeediChannel 4in. 90 Degree Long Radius Bend
230-LFB4B	SpeediChannel 4in. 90 Degree Long Radius Bend Brown
230-LFB4W	SpeediChannel 4in. 90 Degree Long Radius Bend White
230-LFB6	SpeediChannel 6in. 90 Degree Long Radius Bend
230-LFB6W	SpeediChannel 6in. 90 Degree Long Radius Bend White



SpeediChannel™ Line Set Cover System

90° Outside Elbow

90 degree outside elbows are used to route the SpeediChannel™ around an outside corner. Each elbow is individually packed, and is furnished complete with stainless steel screws.



Product ID	Description
230-EIN3	SpeediChannel 3in 90 Degree Outside Elbow
230-EIN3B	SpeediChannel 3in 90 Degree Outside Elbow Brown
230-EIN3W	SpeediChannel 3in 90 Degree Outside Elbow White
230-EIN4	SpeediChannel 4in 90 Degree Outside Elbow
230-EIN4B	SpeediChannel 4in 90 Degree Outside Elbow Brown
230-EIN4W	SpeediChannel 4in 90 Degree Outside Elbow White
230-EIN6	SpeediChannel 6in 90 Degree Outside Elbow
230-EIN6W	SpeediChannel 6in 90 Degree Outside Elbow White



Adjustable Flat Bend

Adjustable flat bends flex from 45 to 90 degrees and make it easy to route the SpeediChannel™ around an obstacle. Each adjustable bend is individually packed and includes stainless steel screws.

Product ID	Description
230-AFB3	SpeediChannel 3in. Adjustable Flat Bend
230-AFB3W	SpeediChannel 3in. Adjustable Flat Bend White
230-AFB4	SpeediChannel 4in. Adjustable Flat Bend
230-AFB4W	SpeediChannel 4in. Adjustable Flat Bend White



Duct End

The duct end is used to terminate a run of SpeediChannel™ to a small opening – just large enough for the line set and condensate drain line to pass through. Gives a neat/clean installation.

Product ID	Description
230-DE3	SpeediChannel 3in. Duct End
230-DE3B	SpeediChannel 3in. Duct End Brown
230-DE3W	SpeediChannel 3in. Duct End White
230-DE4	SpeediChannel 4in. Duct End
230-DE4B	SpeediChannel 4in. Duct End Brown
230-DE4W	SpeediChannel 4in. Duct End White
230-DE6	SpeediChannel 6in. Duct End
230-DE6W	SpeediChannel 6in. Duct End White



Union Coupling

Used for joining two pieces of SpeediChannel™ — each cover being the same size. Each coupling is individually packed, and is furnished complete with stainless steel screws.

Product ID	Description
230-CP3	SpeediChannel 3in. Union Coupling
230-CP3B	SpeediChannel 3in. Union Coupling Brown
230-CP3W	SpeediChannel 3in. Union Coupling White
230-CP4	SpeediChannel 4in. Union Coupling
230-CP4B	SpeediChannel 4in. Union Coupling Brown
230-CP4W	SpeediChannel 4in. Union Coupling White
230-CP6	SpeediChannel 6in. Union Coupling
230-CP6W	SpeediChannel 6in. Union Coupling White



SpeediChannel™ Line Set Cover System

Cap

Used to cap the end of a SpeediChannel™ run. Easily snaps into the end of the SpeediChannel™.



Product ID	Description
230-DC3	SpeediChannel 3in. Cap
230-DC3W	SpeediChannel 3in. Cap White
230-DC4	SpeediChannel 4in. Cap
230-DC4W	SpeediChannel 4in. Cap White
230-DC6	SpeediChannel 6in. Cap
230-DC6W	SpeediChannel 6in. Cap White



Flat Wall Escutcheon

Typically used to cover a rough opening in a soffit, wall, or ceiling penetration. One side of the escutcheon is flat to allow for a SpeediChannel™ run going along a wall, and penetrating through an adjacent wall or ceiling. This is the most common type of wall penetration. Furnished in two parts, the escutcheon easily snaps onto the SpeediChannel™.

Product ID	Description
230-FR3	SpeediChannel 3in. Flat Wall Escutcheon
230-FR3W	SpeediChannel 3in. Flat Wall Escutcheon White
230-FR4	SpeediChannel 4in. Flat Wall Escutcheon
230-FR4W	SpeediChannel 4in. Flat Wall Escutcheon White
230-FR6	SpeediChannel 6in. Flat Wall Escutcheon
230-FR6W	SpeediChannel 6in. Flat Wall Escutcheon White



Wall Escutcheon

Typically used to cover a rough opening in a wall or ceiling penetration. The hole in the escutcheon is centered to allow for a free standing SpeediChannel™ to penetrate through a wall or ceiling. This is the fairly un-common type of wall or ceiling penetration. Check carefully, as you may need the Flat Wall Escutcheon. Furnished in two parts, the escutcheon easily snaps onto the SpeediChannel™.

Product ID	Description
230-WR3	SpeediChannel 3in. Wall Escutcheon
230-WR3W	SpeediChannel 3in. Wall Escutcheon White
230-WR4	SpeediChannel 4in. Wall Escutcheon
230-WR4W	SpeediChannel 4in. Wall Escutcheon White
230-WR6	SpeediChannel 6in. Wall Escutcheon
230-WR6W	SpeediChannel 6in. Wall Escutcheon White



Reducer Coupling

Used for joining two pieces of SpeediChannel™ — each cover being a different size. Each coupling is individually packed, and is furnished complete with stainless steel screws.

Product ID	Description
230-TC34	SpeediChannel 3in.x 4in. Reducer Coupling
230-TC34W	SpeediChannel 3in.x 4in. Reducer Coupling White
230-TC46	SpeediChannel 4in.x 6in. Reducer Coupling
230-TC46W	SpeediChannel 4in.x 6in. Reducer Coupling White



SpeediChannel™ Line Set Cover System

Soffit Fitting

Ideal for outdoor applications where the SpeediChannel™ runs up an exterior wall and enters the house vertically through the soffit. Its large flat surface area easily covers the rough opening cut in the soffit. Furnished in two parts, the Soffit Fitting easily snaps onto the SpeediChannel™ for a clean installation.



Product ID	Description
230-SF3	SpeediChannel 3in. Soffit Fitting
230-SF3W	SpeediChannel 3in. Soffit Fitting White
230-SF4	SpeediChannel 4in. Soffit Fitting
230-SF4W	SpeediChannel 4in. Soffit Fitting White

Flex Joint

An accordion style piece of SpeediChannel™, the flex joint can be extremely flexible routing a SpeediChannel™ system around virtually any type of obstacle. Each joint is 20in. long and can be combined together for longer flex runs. Unlike competitor systems, the DiversiTech flex joint does NOT require the use of a union coupling. The DiversiTech flex joint slides tightly inside the SpeediChannel™ system.

Product ID	Description
230-FJ3	SpeediChannel 3in. Flex Joint
230-FJ3W	SpeediChannel 3in. Flex Joint White
230-FJ4	SpeediChannel 4in. Flex Joint



T-Joint

Used for creating a tee connection between three pieces of SpeediChannel™ – all covers being the same size. The tee can be combined with the reducing coupling to join SpeediChannel™ of different sizes. Each tee is individually packed, and 230-TJ4 is furnished complete with stainless steel screws.

Product ID	Description
230-TJ4	SpeediChannel 4in. T Joint
230-TJ4B	SpeediChannel 4in. T Joint Brown
230-TJ4W	SpeediChannel 4in. T Joint White
230-TJ6	SpeediChannel 6in. T Joint
230-TJ6W	SpeediChannel 6in. T Joint White



Fitting Kit

The SpeediChannel™ Fitting Kits provides a simple mix of the basic fittings used in a typical SpeediChannel™ installation job. Included in the basic kits are one coupling, one wall penetration, one inside elbow, one long radius flat bend, and one pack of ten SpeediClips and 11in. cable ties. The 230-IKC3 and 230-IKC4 Installation kits include three 48" pieces of channel and selected fittings.

Product ID	Description
230-IKC3	SpeediChannel 3in. Installation Kit w/Channel
230-IKC3W	SpeediChannel 3in. Installation Kit w/Channel White
230-IKC4	SpeediChannel 4in. Installation Kit w/Channel
230-IKC4W	SpeediChannel 4in. Installation Kit w/Channel White



SpeediChannel™ Line Set Cover System

SpeediChannel™ Accessories

A variety of accessories that are complementary or required for installing DiversiTech's SpeediChannel™ system.



Product ID	Description
230-DCLIP	SpeediClip™ Pack of 50
230-DCLIP-10	SpeediClip™ and 11in Cable Ties, Pack of 10
230-DSCREW	SpeediChannel™ Pack of 100



Liquid Tight Connectors - One Piece

1 Piece Non-Metal Connectors

- Installation - no disassembly required, simply screw the connector onto the conduit.
- Design allows superior liquid tight seal and optimum pull strength.
- PVC construction.
- Produced from UV rated material for long outdoor life.
- Time and cost saving benefits over other brands.
- Reusable design.
- Ideal for conduit assemblies and installers.
- Resists salt water, weak acids, gasoline, alcohol, oil, grease & most common solvents.



UL & cUL listed



Applications

- Indoor or outdoor use
- OEM equipment
- Field installations

Product ID	Replacement Product ID	Size	Description	Pkg
11-88503	750-SLTC50	1/2"	Straight Connector	25
11-88518	750-SLTC9050	1/2"	90° Connector	10
11-88505	750-SLTC75	3/4"	Straight Connector	25
11-88520	750-SLTC9075	3/4"	90° Connector	10

2 Piece Non-Metal Connectors

- Installation - simply push conduit onto ferrule, then tighten the domed sealing nut. The completed assembly is then secured to the chassis using the locknut.
- Produced from UV rated material for long outdoor life.
- Conduit & connector system is completely reusable.
- Nylon construction
- Standard colour - Gray
- Resists salt water, weak acids, gasoline, alcohol, oil, grease & most common solvents.



UL listed
CSA certified



Applications

- Indoor or outdoor use
- OEM equipment
- Field installations



Product ID	Replacement Product ID	Size	Description	Pkg
11-88403	750-NMLT50	1/2"	Straight Connector	25
11-88418	750-NMLT9050	1/2"	90° Connector	10
11-88405	750-NMLT75	3/4"	Straight Connector	25
11-88420	750-NMLT9075	3/4"	90° Connector	10

Thermostats - Non-program

500 Platform

- Electrical Heat
- Thermostat
- Heat Only
- Mercury Free
- Non-Programmable
- 2 Wire (T501ML2)
- 4 Wire (T501ML4)







PRODUCT	PART NUMBER	DESCRIPTION
	78-T501ML2	T500 MECHAN.2WIRE THERM.;NON-PROGRAM, HEAT ONLY
	78-T501ML4	T500 MECHA.4 WIRE THERM.;NON-PROGRAM, HEAT ONLY

Thermostats - Non-program

600 Platform

- Electrical Heat
- Thermostat
- Mercury Free
- Non-Programmable
- Heating or Cooling





PRODUCT	PART NUMBER	DESCRIPTION
	78-T625-2	T600 7D OR 5+1+1 PROGRAM;WITH 2 SQ. IN. DISPLAY
	78-T601-2	T600 NON-PROGRAM, 1H/1C;WITH 2 SQ. IN. DISPLAY
	78-T605-2	T600 7D OR 5+1+1 PROGRAM,;1H/1C W/ 2 SQ. IN. DISP
	78-T621-2	T600 NON-PROGRAM,;2 SQ. IN. DISPLAY

Thermostats - Non-program

700 Platform

- Electrical Heat
- Thermostat
- Mercury Free
- Non-Programmable
- Heating or Cooling







PRODUCT	PART NUMBER	DESCRIPTION
	78-T731WO	T700 WIRELESS PTAC; OCCU; NON-PROGRAM, 7 SQ. IN.
	78-T751	T700 NON-PROGRAM, 3H/2C; UNIVERSAL W/7 SQ. IN. DIS
	78-T755	T700 7D, 5+1+1 OR NON-PR; /7 SQ. IN. DISPLAY
	78-T755S	T700 7D, 5+1+1 OR NON-PR; /7 SQ. IN. DISPLAY
	78-T771	T700 NON-PROGRAM, 1H OR 1C; ONLY WITH 4 SQ. IN. DISP

Thermostats - Non-program

700 Platform

- Electrical Heat
- Thermostat
- Mercury Free
- Non-Programmable
- Heating or Cooling







PRODUCT	PART NUMBER	DESCRIPTION
	78-T701	T700 NON-PROGRAM,;1H/1C W/ 4 SQ. IN.DISPLAY
	78-T701I	T700 WIFI ENABLED,1H/1C;WITH 7 SQ. IN. DISPLAY
	78-T705	T700 7D, 5+1+1 OR NON-;PROGRAM, 1H/1C,4 SQ. IN.
	78-T715	T700 7D, 5+1+1 OR NON-;PROGRAM,2H/2C MULTI STAG

Thermostats - Non-program

700 Platform

- Electrical Heat
- Thermostat
- Mercury Free
- Non-Programmable
- Heating or Cooling



PRODUCT	PART NUMBER	DESCRIPTION
	78-T721	T700 NON-PROGRAM,;2H/2C MULTI STAGE
	78-T721I	T700 WIFI ENABLED, NON-;PROGRAM,7 SQ. IN. DISPLAY
	78-T725	T700 7D, 5+1+1 OR NON-;PROGRAM;4 SQ. IN. DISPLAY
	78-T731	T700 WIRED PTAC THERMO.;NON-PROG.,4 SQ. IN. DISP

Thermostats - Non-program

800 Platform

- Electrical Heat
- Thermostat
- Mercury Free
- Non-Programmable






PRODUCT	PART NUMBER	DESCRIPTION
	78-T805	T800 7D, 5+1+1 OR NON-;PROGRAM,8 SQ. IN. DISPLA
	78-T855	T800 7D, 5+1+1 OR NON-;PROGRAM,8 SQ. IN. DISPLA
	78-T855ISH	T800 WIFI ENABLED;NON-;PROGRAM; DE-HUMID, 8 SQ.
	78-T855SH	T800 7D, 5+1+1 OR NON-;PROGRAM, 8 SQ. IN. DISPL

Thermostats - Wireless

PROsync Wireless Control System

- System Averaging
- Scheduling
- Occupancy Sensing
- Heating or Cooling



PRODUCT	PART NUMBER	DESCRIPTION
	78-T731WHO	T700 WIRELESS PTAC; OCCU.; NON-PROGRAM, 7 SQ. IN.
	78-T755WHO	T700 WIRELESS UNI. THERM.; OCCUP. PROGRAM, 7 SQ. IN
	78-T731W	T700 WIRELESS PTAC THER.; NON-PROGR.; 7 SQ. IN. DIS

Electrical Disconnect Switches

Air Conditioning Disconnect

Fused model designed with fuses in pull out handle for easy replacement. The line, load, and ground terminals are aligned for ease of wiring. The side open door opens more than 180 degrees for maximum access and has a full dead front. The fused models have indicator lights for blown fuses. This is rain tight and sleet resistant. The UL Listed number is IRF9, NEMA Type 3R and the US Patent is 6,630,637.



Product ID	Description
DDS-60U	60A Non-Fusible Disconnect Switch

Low Profile Disconnects-Metal Case

This low profile disconnect switch is a slightly smaller design than that of the standard DiversiTech disconnects. This has a side opening door with a full dead front. This is rain tight and sleet resistant. The UL Listed number is IRF9, NEMA Type 3R.



Product ID	Description
EDS-60U	60A Non-Fusible Disconnect Switch

Disconnects - Metallic



Features

- Non-Fused Pullout
- Rated NEMA 3R for outdoor use
- Line, load, and ground terminals aligned for easy hook up with heavy wires
- Full dead front
- Knockouts accommodate three sizes (1/2", 3/4", and 1")
- Rear, bottom and side entry knockouts
- Heavy gauge steel case
- Individually wrapped in boxes of 6
- Folding pivot locking tab



Product ID	Description	Fused
PD60NF	60 Amp Non Fused Metal	No

Dimensions (LxWxH): 8.77 x 5.45 x 3.18

Transformers

Foot & Multi-Mount



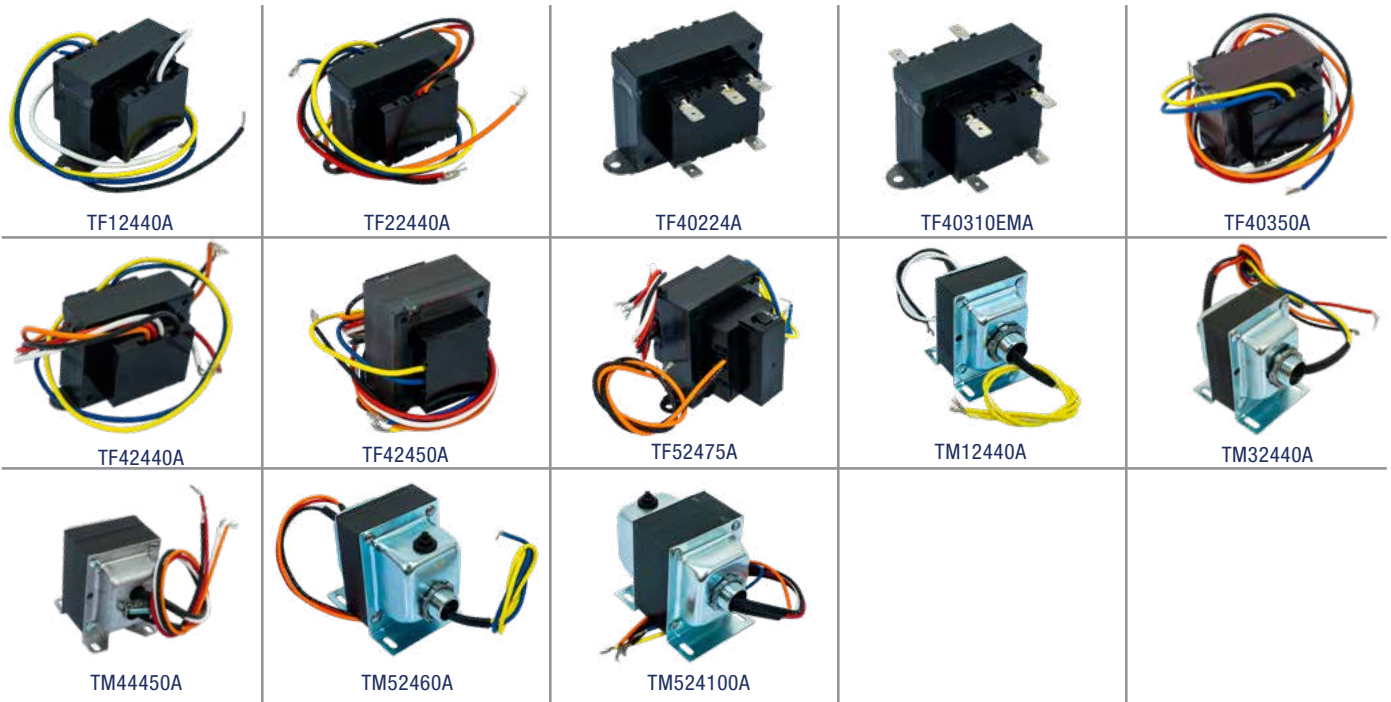
Product ID	Primary Voltage	VA Rating	Secondary Rating	Mounting Option	Connection	Direct Replacement	Notes
PF42420	120/208/240	20VA	24	Foot	Wire Lead	Jard 2031F UET 114	
PF12440	120	40VA	24	Foot	Wire Lead	Jard 4011F	
PF42440	120/208/240	40VA	24	Foot	Wire Lead	Jard 4031F UET 115	
PF40224	208/240	40VA	24	Foot	Terminals	Goodman 013M00138S	
PM44450	120/208/240	50VA	24	Multi	Wire Lead/Term	Jard 5031M UET 150	118
PF52475F	120/208/240/480	75VA	24	Foot	Wire Lead	Jard 7541M UET 175	118

Notes: 118. Built-in fuse included

Transformers

Foot & Multi-Mount

TITAN HD®



Product ID	Primary Voltage	VA Rating	Secondary Rating	Mounting Option	Connection	Direct Replacement
TF12440A	120V	40	24V	Foot	Wire Lead	AT140A1000, AT140B1206
TM12440A	120V	40	24V	Multi	Wire Lead	90-4011M
TF40310EMA	120/208/240V	40	24V	Foot	1/4" Spade Terminal	GT40310EM, 46-101905-01
TF42440A	120/208/240V	40	24V	Foot	Wire Lead	AT140A1018, AT40A1121
TF22440A	208/240V	40	24V	Foot	Wire Lead	AT40A1139, AT40B1032
TF40224A	208/240V	40	24V	Foot	1/4" Spade Terminal	0130M00138, 14262087
TM32440A	120/208/240V	40	24V	Multi	Wire Lead	90-4021M, AT140A1026
TF40350A	120/208/240V	50	24V	Foot	Wire Lead	GT5031F, 46-102856-02
TF42450A	120/208/240/480V	50	24V	Foot	Wire Lead	GT5041C
TM44450A	120/208/240V	50	24V	Multi	Primary - Wire Lead, Secondary - Screw Terminal	AT150A1007, 90-5031M
TM52460A*	120/208/240V	60	24V	Multi	Wire Lead	GT6041C, UET160
TF52475A*	120/208/240/480V	75	24V	Foot	Wire Lead	90-T75C3, GT7541C
TM524100A*	120/208/240/480V	100	24V	Multi	Wire Lead	GT10041C

* Equipped with a circuit breaker

Surge Protectors

Ditek Single Phase Surge Protectors



Features

- Weatherproof enclosure
- Parallel connection for easy installation
- Diagnostic LED provides positive indication of power, ground presence, and surge protection
- Automatically resets to handle multiple surge events
- Typical Applications A/C disconnect, small electrical panels, pool/well pumps
- Half the response time as similar models
- NEMA 4 rated on the housing



Product ID	Service Wiring	Surge Current Rating	MCOV	Voltage Protection Rating	Short Circuit Current Rating	Nominal Discharge Current Rating	Direct Replacement
PSP72KA	Split (2 W + G), 120/240VAC	50,000A	150/320V	700V L-G, 1,200V L-L	10,000A	10,000A	SMC60 SMC150

Features

- Voice, Data and Signaling circuit surge protection
- Adds no resistance to loop circuits
- #22-#16 AWG screw terminal connections
- For 24 volt service



Product ID	Protection Mode	Surge Current Rating	MCOV	Max Continuous Current	Clamping Voltage	Direct Replacement
PSP38VDC	Line-Ground	2,000 Amps/Pair (5-48V) 9,000 Amps/Pair (75-130V)	38VDC	5A, 0.5A (SCP)	47V	SYCST027B

Ditek CMXPLUS 3 Phase Surge Protectors

Features

- NEMA 4X enclosure allows for use in harsh environments
- Parallel connection for easy installation
- Flexible Lockstrap
- Diagnostic LED indicates system power and function
- Automatically resets to handle multiple surge events



Product ID	Description	Service Voltage	Phase	Type
DTK-2403CMXPLUS	Packard Surge Protector	208/240VAC	3	SPD Type 1
DTK-4803CMXPLUS	Packard Surge Protector	480VAC	3	SPD Type 1
DTK-6003CMXPLUS	Packard Surge Protector	600VAC	3	SPD Type 1

Surge-Trap® Surge Protectors



The Surge-Trap® STXH240S05 Split Phase Surge Protection Device, STXH Type 1, 50kA, 120/240 volts, split phase is the most compact of the STX series. The STXH Series SPD features TPMOV® technology inside making it the safest product available in its category. Surge-Trap Type 1 STXR meets requirements for UL1449 4th Edition and is ideal for the replacement of obsolete surge arrestors.



Product ID	Description
STXH240S05	STXH Type1 50kA 240/120V Split Phase Surge Protection Device

Miniature Pressure Control Switches



25-90290
Illustrated

Specifications

- Temperature Range: -20°C (-4°F) to 40°C (104°F).
- Mechanical Life: 1,000,000 operations.
- Electrical Life: 100,000 operations (@ 16amp 240VAC Res.)
- Operate Time (typical): 25 ms at nominal coil voltage.
- Release Time (typical): 25 ms at nominal coil voltage.
- Dielectric Strength (at sea level for 1 min.):
 - 2500 Vrms coil to contact.
 - 1000 Vrms between open contacts.
- Coil Frequency: 50/60 Hz.
- Coil Insulation: Class A (105°C / 221°F).
- Coil Duty Cycle: Continuous.
- Terminals: ¼" quick-connects.
- Contact Material: Silver cerium
- Enclosure: Phenolic.

Features

Designed for switching single or two speed fan motor, relays, solenoids, resistive loads in cooling, heating or general purpose switching applications.

- Replace WR/ Essex/ RBM & Mars type 84 models
- Totally enclosed compact design.
- Quiet & reliable operations.
- UL & cUR (file E44211)
- Universal mounting bracket.

Contact Rating

- 125/250 VAC

FLA	LRA	Inductive Amps	Resistive Amps
8	18	8 Amp Continuous	16 Amp Continuous

2-Pole HVAC Standard Duty Relays

Coil Voltage	Product ID SPST	Product ID SPDT	Coil Resistance DC OHMS ±10%	Nominal Current MA	Nominal VA Sealed	Inrush VA
24	25-90290	25-90293	90	146		
120	25-90291	25-90294	2,000	29	3.5	4
240	25-90292	25-90295	7,200	15		

Totally Enclosed Fan Relays - Heavy Duty



25-90380
Illustrated

Specifications

- Temperature Range: -20°C (-4°F) to 40°C (104°F).
- Mechanical Life: 1,000,000 operations.
- Electrical Life: 100,000 operations (@ 25amp 277VAC Res.)
- Operate Time (typical): 25 ms at nominal coil voltage.
- Release Time (typical): 25 ms at nominal coil voltage.
- Dielectric Strength (at sea level for 1 min.):
 - 2500 Vrms coil to contact.
 - 1000 Vrms between open contacts.
- Coil Frequency: 50/60 Hz.
- Coil Insulation: Class A (105°C / 221°F).
- Coil Duty Cycle: Continuous.
- Terminals: ¼" quick-connects.
- Contact Material: Silver cadmium oxide.
- Enclosure: Phenolic.

Features

Designed for cooling, heating or general purpose switching equipment operating heavier loads.

- Replace WR/ Essex/ RBM & Mars type 184 models
- Totally enclosed compact design.
- Quiet & reliable operations.
- Universal mounting bracket
- UL & cUR (file E44211)
- SPST, SPDT & SPNO/SPNC models.

Heavy Duty Relays

Coil Voltage	SPST Product ID	SPDT Product ID	SPNO-SPNC* Product ID	Coil Resistance DC OHMS ±10%	Nominal Current MA	Nominal VA Sealed	Inrush VA
24	25-90360	25-90370	25-90380	77	167		
120	25-90362	25-90372	25-90382	2,000	33	4	4
240	-	25-90374	25-90384	7,200	17		

*Isolated Contacts

Contact Rating

VAC	Amps	FLA	LRA	Inductive Amps	Resistive Amps
125VAC		14	84	14 Amp Continuous	25 Amp
250VAC	25	8	48	8 Amp Continuous	Continuous
277VAC		7	42	7 Amp Continuous	@ 277 VAC

Totally Enclosed Relay - 2 Pole HVAC Switching Relays



25-90340
Illustrated

Specifications

- Temperature Range: -40°C (-40°F) to 54°C (130°F).
- Mechanical Life: 750,000 operations.
- Electrical Life: 100,000 operations.
- Coil Frequency: 50/60 Hz.
- Coil Insulation: Class B.
- Coil Duty Cycle: Continuous.
- Terminals: ¼" quick-connects.
- Contact Material: Silver cadmium oxide.
- Enclosure: Phenolic.
- Dimensions 2.13" x 1.88" x 2.25".

Features

Intended for many applications in air conditioning, refrigeration, heating and general purpose switching.

- Replaces Honeywell, White-Rodgers/RBM & Mars (cross reference in packaging)
- Semi-enclosed compact design.
- Quiet & reliable operations.
- Universal mounting bracket
- Molded terminal numbers and circuit diagram on top of relay.
- UL & cUR (file E44211).
- 2 Pole DT mode

Heavy Duty Relays

Coil Voltage	DPDT Product ID	Terminals 1,2,3.	Terminals 4,5,6.	Resistance DC OHMS ±10%	Nominal Current MA	Nominal VA Sealed Max.	Inrush VA Max.
24	25-90340			15	334		
120	25-90341	Power	Power	400	66	8	21.5
240	25-90342			1415	38		

Contact Rating

VAC	Amps General Use	HP	LRA	FLA
125V	15	3/4	82.8	13.8
208V			45.6	7.6
250V			41.4	6.9
277V			-	36.0

Capacitors

Dual Voltage 370/440V • Single MFD



370/440 Volt Oval							MFD	370/440 Volt Round					
Dimensions (Millimeters)			Dimensions (Inches)			OVAL		ROUND	Dimensions (Inches)		Dimensions (Millimeters)		
Width	Depth	Height	Width	Depth	Height				Dia.	Height	Dia.	Height	
51.5	31.5	60	2.03	1.24	2.36	36-5-370440	5	36-5R3744	1.65	2.37	42	60	
51.5	31.5	60	2.03	1.24	2.36	36-7-370440	7.5	36-7R3744	1.65	2.37	42	60	
51.5	31.5	80	2.03	1.24	3.15	36-10-370440	10	36-10R3744	1.65	2.78	42	70	
51.5	31.5	80	2.03	1.24	3.15	36-12-370440	12.5	36-12R3744	1.65	2.78	42	70	
51.5	31.5	80	2.03	1.24	3.15	36-15-370440	15	36-15R3744	1.65	3.15	42	80	
71.0	45.0	80	2.80	1.77	3.15	36-17-370440	17.5	36-17R3744	1.65	3.15	42	80	
71.0	45.0	80	2.80	1.77	3.15	36-20-370440	20	36-20R3744	1.78	3.15	45	80	
71.0	45.0	80	2.80	1.77	3.15	36-25-370440	25	36-25R3744	1.78	3.54	45	90	
71.0	45.0	90	2.80	1.77	3.55	36-30-370440	30	36-30R3744	2.00	3.94	50	100	
71.0	45.0	90	2.80	1.77	3.55	36-35-370440	35	36-35R3744	2.00	3.94	50	100	
71.0	45.0	90	2.80	1.77	3.55	36-40-370440	40	36-40R3744	2.00	4.33	50	110	
71.0	45.0	110	2.80	1.77	4.33	36-45-370440	45	36-45R3744	2.00	4.33	50	110	
71.0	45.0	110	2.80	1.77	4.33	36-50-370440	50	36-50R3744	2.00	4.33	50	110	



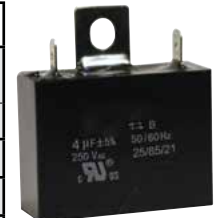
OVAL



ROUND

Dual Voltage 370/440V • Dual MFD

370/440 Volt Oval							MFD	370/440 Volt Round					
Dimensions (Millimeters)			Dimensions (Inches)			OVAL		ROUND	Dimensions (Inches)		Dimensions (Millimeters)		
Width	Depth	Height	Width	Depth	Height				Dia.	Height	Dia.	Height	
71.0	45.0	80	2.80	1.77	3.15	36-25-5-3744	25/5	36-255R3744	1.97	3.54	50	90	
71.0	45.0	100	2.80	1.77	3.94	36-30-5-3744	30/5	36-305R3744	1.97	4.16	50	105	
71.0	45.0	100	2.80	1.77	3.94	36-35-5-3744	35/5	36-355R3744	2.17	4.33	55	110	
71.0	45.0	110	2.80	1.77	4.33	36-40-5-3744	40/5	36-405R3744	2.36	4.72	60	120	
71.0	45.0	110	2.80	1.77	4.33	36-45-5-3744	45/5	36-455R3744	2.36	4.72	60	120	



SQUARE

Higher Voltage Capacitors Can Be Substituted For Lower Voltage Applications.

Dual Voltage 250-440V • Single MFD

250-440 Volt Square							MFD
Dimensions (Millimeters)			Dimensions (Inches)			SQUARE	
Width	Depth	Height	Width	Depth	Height		
37.0	18.0	28.0	1.46	0.71	1.10	36-2S440	2
37.0	18.0	28.0	1.46	0.71	1.10	36-3S440	3
37.0	22.0	34.0	1.46	0.87	1.34	36-4S440	4
37.0	22.0	34.0	1.46	0.87	1.34	36-5S440	5
47.0	26.0	38.0	1.85	1.02	1.50	36-7.5S440	7.5
47.0	26.0	38.0	1.85	1.02	1.50	36-8S440	8
58.0	30.0	44.0	2.28	1.18	1.73	36-10S440	10
58.0	30.0	44.0	2.28	1.18	1.73	36-12.5S440	12.5
58.0	30.0	44.0	2.28	1.18	1.73	36-15S440	15
58.0	39.0	50.0	2.28	1.54	1.97	36-20S440	20

ROTOM RUN CAPACITORS

- Heavy Duty, Compact Design
- UL & cUL Recognized
- Competitively Priced
- Built In Interrupter
- Largest Selection

NOTE:

CAPACITORS IN SERIES

- MFD rating decreases; Voltage increases.

$$\text{New MFD Rating} = \frac{\text{MFD}_1 \times \text{MFD}_2}{\text{MFD}_1 + \text{MFD}_2}$$

CAPACITORS IN PARALLEL

- MFD increases; Voltage rating stays constant.

(ex. two 5 MFD 370 V capacitors wired in parallel is the equivalent of a 10 MFD 370 V Capacitor)

$$\text{New MFD Rating} = \text{MFD}_1 + \text{MFD}_2$$

- When connected in either series or parallel it is recommended that capacitors with the same MFD ratings be used.
- Higher voltages may be substituted for lower voltages in the same MFD rating.

Miniature Pressure Control Switches

Automatic Reset Pressure Controls

Miniature pressure controls are fixed setting controls used on refrigeration, air conditioning, or heat pump systems using R12, R22, R410A or R502 refrigerants. Both low (suction) and high (discharge or head pressure) sensing controls are available.

These single function controls, single pole, single throw (SPST) switches may be used in a variety of Applications direct control of single speed fan motors or compressors; in conjunction with a contactor for pilot duty; or to control electronic management systems.

The RMF Miniature Pressure control will cycle a single speed condenser fan when the predetermined head pressure (cut in) is reached. When the head pressure is reduced to a predetermined pressure (cut out), the fan will shut off. (Normally open switch). CSA & UL approved.

Features

- Automatic & manual reset*
- Corrosion resistant.
- Environmentally sealed (water tight switched).
- Non-position-sensitive.
- Low/high pressure cycling.
- Condenser fan cycling.
- Variety of fixed pressure settings.
- Complete with 1/4 inch SAE female flare fitting with valve core depressor.
- 18 inch leads (longer lead lengths available).

*Note: Automatic reset controls may be used to replace manual reset controls.

Product ID	Application	Setting (psig)		Cross Reference	
		Cut Out	Cut In		
41-RML-520	Low Pressure Cut Out	5	20	33329, PS-LP05-20, PC002.	
41-RML-1025		10	25	33330, PS-LP10-25, 3100-050.	
41-RML-1535		15	35	33333.	
41-RML-1555L		15	55	Long Lead (30').	
41-RML-2045		20	45		
41-RML-2580		25	80	33362, 33363, 33336, PS-LP25-80, 3100-051.	
41-RML-3560		35	60	PC001.	
41-RML-4080		40	80	33364, PS-LP40-80, 3100-052.	
41-RML-4560		45	60	33339.	
41-RML-75100		75	100	Suitable for R410A)	
41-RML-90120F		90	120		
41-RMF75120		Condenser Fan Cycling	75	120	Suitable for R410A
41-RMF110170			110	170	
41-RMF150225			150	225	
41-RMF190275	190		275	33341.	
41-RMF300400	300		400		
41-RMH250180	High Pressure Cut Out	250	180	33350.	
41-RMH300200		300	200	33310, 33355, PS-HP300-200.	
41-RMH325225		325	225	33313.	
41-RMH350250		350	250	33316, 33356, PS-HP350-250, 3100-150, PC150.	
41-RMH375275		375	275	33319.	
41-RMH400300		400	300	33322, 33357, 33358, PS-HP400-300, 3100-151, PC151.	
41-RMH425325		425	325	33325, 33359, PC100.	
41-RMH600475		600	475	Suitable for R410A	
41-RMM-350		Mini Pressure Manual	350	-	
41-RMM-410			410	-	33365
41-RMM-430	430		-	33352	
41-RMM-440	440		-	33350	
41-RMM-600	600		-		

The miniature pressure controls are supplied with 12 inch, 18 AWG stranded leads, stripped 1/2 inch. RML and RMF are blue – RMH are black.

1/4 inch, SAE female flare fitting with valve core depressor.

All RML, RMF and RMH controls are individually packaged and equipped with a 1/4" SAE female flare fitting. For application requiring a pressure connector other than 1/4" female flare, use an appropriate adapter or connector.

Example: 02-C31004 – 1/4" SAE male flare to 1/4" tube adapter
02-C31482 – 1/4" SAE male flare to 1/8" MPT connector

All RML, RMF and RMH controls will have pressures stamped on the control. Normally, the OEM's pressure is stamped on the control.

Automatic reset controls may be used to replace manual resets.

Electrical ratings must not be exceeded and all electrical connections must comply with local approval authorities.

Operating Ambient -20° to 150°F(-28° to 65°C).
Refrigerant -35° to 275°F(-37° to 135°C).



41-RML-2045 Illustrated



VAC	FLA	LRA
24	-	-
120	10	40
240	5	20
277	-	-

Definite Purpose Magnetic Contactors - Economy

1 Pole with Shunt & 2 Pole Models



Features

- 1.5 pole (1 pole with shunt) 30 & 40 amp to 2 pole 20, 25, 30 & 40 amp.
- Features lug, spade terminals and protective covers
- Compact size
- Universal galvanized mounting plates
- ARI 780/790 standards
- Brass/copper terminals
- Quick connect and screw terminals on coil.
- Snap on auxiliary contacts available
- cURus approved



Product ID	Poles	Full Load Amps.	Coil Voltage 50/60	Locked Rotor Amps			Resistive Amps.	Termination	Furnas #
				240V	480V	600V			
DP-1P30A24	1.5	30	24	180	150	120	40	Screw Type	45EG10AJA
DP-1P30A120	1.5	30	120	180	150	120	40		45EG10AFA
DP-1P30A240	1.5	30	208/240	180	150	120	40		45EG10AGA
DP-1P40A24	1.5	40	24	240	200	160	50	Box Lug	45GG10AJAL, 45FG10AJA, 45GG10AJA
DP-1P40A120	1.5	40	120	240	200	160	50		45GG10AFAL, 45FG10AFA, 45GG10AFA
DP-1P40A240	1.5	40	208/240	240	200	160	50		45GG10AGAL, 45FG10AGA, 45GG10AGA
DP-2P20A24	2	20	24	120	100	80	30	Box Lug	45CG20AJ
DP-2P20A120	2	20	120	120	100	80	30		45CG20AF
DP-2P25A24	2	25	24	150	125	100	35	Box Lug	45DG20AJ
DP-2P25A120	2	25	120	150	125	100	35		45DG20AF
DP-2P25A240	2	25	208/240	150	125	100	35		45DG20AG
DP-2P30A24	2	30	24	180	150	120	40	Screw Type	45EG20AJ
DP-2P30A120	2	30	120	180	150	120	40		45EG20AF
DP-2P30A240	2	30	208/240	180	150	120	40		45EG20AG
DP-2P40A24	2	40	24	240	200	160	50	Box Lug	45GG20AJL
DP-2P40A120	2	40	120	240	200	160	50		45GG20AFL
DP-2P40A240	2	40	208/240	240	200	160	50		45GG20AGL

Definite Purpose Magnetic Contactors - Economy

3 Pole Models



Features

- 3 pole 20, 25, 30, 40, 50 & 60 amp
- Totally enclosed
- Features lug, spade terminals and protective covers
- Compact size
- Universal galvanized mounting plates
- ARI 780/790 standards
- Push to test button
- Brass/copper terminals
- Quick connect and screw terminals on coil.
- Snap on auxiliary contacts available
- cURus approved



Product ID	Poles	Full Load Amps.	Coil Voltage 50/60	Locked Rotor Amps			Resistive Amps.	Termination	Furnas #
				240V	480V	600V			
DP-3P20A24	3	20	24	120	100	80	30		-
DP-3P20A120	3	20	120	120	100	80	30	Box Lug	-
DP-3P20A240	3	20	208/240	120	100	80	30		-
DP-3P25A120	3	25	120	150	125	100	35	Box Lug	-
DP-3P30A24	3	30	24	180	150	120	40		42BF35AJ
DP-3P30A120	3	30	120	180	150	120	40	Screw Type	42BF35AF
DP-3P30A240	3	30	208/240	180	150	120	40		42BF35AG
DP-3P40A24	3	40	24	240	200	160	50		42CF35AJ
DP-3P40A120	3	40	120	240	200	160	50	Box Lug	42CF35AF
DP-3P40A240	3	40	208/240	240	200	160	50		42CF35AG
DP-3P50A24	3	50	24	300	250	200	65		42DF35AJ
DP-3P50A120	3	50	120	300	250	200	65	Box Lug	42DF35AF
DP-3P50A240	3	50	208/240	300	250	200	65		42DF35AG
DP-3P60A24	3	60	24	360	300	240	75		42EF35AJ
DP-3P60A120	3	60	120	360	300	240	75	Box Lug	42EF35AF
DP-3P60A240	3	60	208/240	360	300	240	75		42EF35AG
DP-3P75A24	3	75	24	450	375	300	90		42FE35AJ106
DP-3P75A120	3	75	120	450	375	300	90	Box Lug	42FE35AF106
DP-3P75A240	3	75	208/240	450	375	300	90		42FE35AG106
DP-3P90A120	3	90	120	540	450	360	120		42GE35AF106
DP-3P90A240	3	90	208/240	540	450	360	120	Box Lug	42GE35AG106

Definite Purpose Magnetic Contactors - Economy

4 Pole Models



Features

- 4 pole 20, 25, 30 & 40 amp
- Features lug, spade terminals and protective covers
- Totally enclosed
- Compact size
- Universal galvanized mounting plates
- ARI 780/790 standards
- Push to test button
- Brass/copper terminals
- Quick connect and screw terminals on coil.
- Snap on auxiliary contacts available
- cURus approved



Product ID	Poles	Full Load Amps.	Coil Voltage 50/60	Locked Rotor Amps			Resistive Amps.	Termination	Furnas #
				240V	480V	600V			
DP-4P20A24	4	20	24	120	100	80	30	Box Lug	-
DP-4P20A120	4	20	120	120	100	80	30		-
DP-4P25A120	4	25	120	150	125	100	35	Box Lug	-
DP-4P30A24	4	30	24	180	150	120	40	Screw Type	42BF25AJ
DP-4P30A120	4	30	120	180	150	120	40		42BF25AF
DP-4P30A240	4	30	208/240	180	150	120	40		42BF25AG
DP-4P40A24	4	40	24	240	200	160	50	Box Lug	42CF25AJ
DP-4P40A120	4	40	120	240	200	160	50		42CF25AF
DP-4P40A240	4	40	208/240	240	200	160	50		42CF25AG

Definite Purpose Magnetic Contactors - Economy

Auxiliary Switches



Features

- Auxilliary switches for 3 & 4 pole 30 - 90 amp "DP" series contactors
- Compact size
- cURus approved



DP-AS4N



DP-AS6N



DP-AS7N



DP-AS9N




DP-AS11

Switch Size	Product ID	Cont. Amps	Voltage Rating	Description	Connection
3 Pole, 20-60Amp 4 Pole 30 -60 Amp	DP-AS4N	10	600	SPDT, N.O.	Screw
	DP-AS5N	10	600	SPDT, N.C.	Screw
	DP-AS6N	10	600	2 x SPDT, N.O. & N.C.	Screw
	DP-AS7N	10	300	SPST, N.O. & N.C.	Quick
3 Pole, 75-90 Amp	DP-AS9N	10	300	SPST, N.C. & N. C.	Quick
3 Pole, 20-60 Amp 4 Pole 30-60 Amp	DP-AS11	10	300	SPDT, N.O. & N. C.	Quick


Universal Relay

Universal Motor Starting Relay



Product ID	Features & Applications	Specifications	Cross Reference
 <p>24-UMSR50</p>	<ul style="list-style-type: none"> Patented differential voltage sensing No user-adjustments required Non-positional mounting configuration 50A Switching capabilities Universal mounting bracket for easy installation .250" quick connect termination Safety timer Ideal for A/C, commercial refrigeration, heat pump, or any single-phase motor application up to 10HP 	<p>Input:</p> <ul style="list-style-type: none"> Voltage Rating: 110-270 VAC, Single Phase Maximum Voltage Contact Rating: 502 VAC (absolute) <p>Motor Power Rating: Up to 10 HP Operating Position: Non-positional Safety Time Out: Approximately 1-second per 100 microfarads Consumption: 5VA max. Insulation: Class B (130°C); Conforms to IEC 1000-standards(6kV impulse / 6kV contact) Life Expectancy (minimum operations):</p> <ul style="list-style-type: none"> Mechanical: <ul style="list-style-type: none"> 1 x 10(6) Electrical: <ul style="list-style-type: none"> 1 x 10(6) at 16A 400 VAC 5 x 10(5) at 35A 400 VAC (break only) 5 x 10(5) at 50A 400 VAC (break only) <p>Contact Rating: 50A (break only), 400 VAC cos θ = 0.7 to 0.8</p>	<p>Supco: APR5, SUPR All standard potential relays</p>


Lockout Protection Relay

Product ID	Features & Applications	Specifications	Cross Reference
 <p>24-ICM220</p>	<ul style="list-style-type: none"> Low cost lockout relay Ideal for use with safety/interlock switches Replaces impedance relay Series 84 and 93 UL 873 recognition as a compressor controller 	<ul style="list-style-type: none"> Voltage: 18 to 30 VAC Frequency: 50 to 60 Hz Relay: 1 form C Relay Contacts: 2 amps maximum @ 30 VAC resistive Power Consumption: 2 watts maximum during lockout 	<p>Essex: Impedance relays series 84 and 93</p>


Delay On Make Timers

Ideal For Compressor Staging



Product ID	Features & Applications	Specifications	Cross Reference
 <p>24-ICM102</p>	<ul style="list-style-type: none"> Universal voltage operation. Higher 1.5 amp power rating. Knob-adjustable time delays. Works with anticipator-type thermostats. One model replaces many in field. Ideal for compressor staging. Simple 2-wire hook-up. 'F' suffix denotes 6" wire leads. Compact 2" x 2" cube. 	<ul style="list-style-type: none"> Control: 18-240 VAC. 1.5 amps. 15 amp inrush. 40 mA holding current. Adjustable delays 0.03 to 10 min. (1.8-600 sec.). Voltage drop: 2.5V @1.5 amps. 	<p>Diversified</p> <ul style="list-style-type: none"> AC-800 ASC-600, 601 <p>Gemline</p> <ul style="list-style-type: none"> 1C310, 1C213 <p>Mars</p> <ul style="list-style-type: none"> 32391, 32367 <p>Robertshaw</p> <ul style="list-style-type: none"> 3310-068 <p>Supco</p> <ul style="list-style-type: none"> TD-68, TD-69 <p>Watsco</p> <ul style="list-style-type: none"> EAC-701-ADJ EAC-700-A


Anti-Short Cycle Protection

Product ID	Features & Applications	Specifications	Cross Reference
 <p>24-ICM203</p>	<ul style="list-style-type: none"> Universal voltage operation. Higher 1.5 amp power rating. Compressor lockout/ anti-short cycle timer. Helps to protect compressors from damage caused by rapid short cycling. Simple, 2-wire hook-up. 24-ICM203: (ATB) Compact 2" x 2" package. 	<ul style="list-style-type: none"> Control: 18-240 VAC. 1.5 amps. 15 amp inrush. Knob-adjustable delays 0.03 to 10 min. (1.8 to 600 Seconds). Voltage Drop: <ul style="list-style-type: none"> 3.5V typical. 4.5V max. 40 mA holding current. 	<p>Diversified</p> <ul style="list-style-type: none"> ASC-500 ASC-501 ASC-502 ASC-503 ASC-505-5 <p>Gemline</p> <ul style="list-style-type: none"> 1C320 <p>Mars 32392</p> <p>Robertshaw</p> <ul style="list-style-type: none"> 3310-072 <p>Supco</p> <ul style="list-style-type: none"> TD-73 <p>Watsco</p> <ul style="list-style-type: none"> EAC-501-ADJ EAC-501-ADJ-X

Bypass Timer

To Bypass A Switch Or Device During Startup




Product ID	Features & Applications	Specifications	Cross Reference
 24-ICM175	<ul style="list-style-type: none"> • Designed to bypass a low pressure switch or other device during start-up. • Ideal for low ambient start-ups. • Key component for "winter start" kits. • Helps to reduce nuisance lockouts. • Universal AC voltage operation. • Knob-adjustable time delays. • Epoxy-encapsulated circuitry. • Compact 2" x 2" package. 	<ul style="list-style-type: none"> • Control: 18-240 VAC. • Frequency: 50/ 60 Hz. • 1 amp maximum. • 40 mA minimum. • 10 amp inrush. • Knob-adjustable time delays: 10 to 1,000 sec. 	Mars • 32395 Supco • TDP68

Motor Protection Controls

3-Phase Line Voltage Monitors - Full Performance



Product ID	Features & Applications	Specifications	Cross Reference
 24-ICM450A 24-ICM450A-PLUS	<ul style="list-style-type: none"> • Backlit LCD • Simultaneous 3-phase true RMS voltage monitoring • Factory calibrated • 3-phase voltages simultaneously displayed on LCD • Fault memory • Fault monitoring: High / low voltage, voltage unbalance, phase loss, phase reversal • Real time clock, date and time stamped events • Simple configuration • Fully adjustable variables • Modbus RS485 communications • LED indicators • Common 1/4" quick connect terminations • English or Spanish menu options 	<ul style="list-style-type: none"> • Line Voltage: Universal, 190-600 VAC • Frequency: 50-60 Hz • Load Side Monitoring: Optional • Control Voltage: 18-240 VAC • Type: Relay, SPDT • Voltage Range: 277 VAC @ 6A maximum • Operating Temperature: -40°F to +149°F (-40°C to +65°C) • Storage Temperature: -40°F to +185°F (-40°C to +85°C) • Mounting: Surface mount using (2) #8 screws • Terminations: 1/4" quick connects • Weight: 12 ounces (341 grams) • ModBus: RS485 Communication (ICM) 	Mars: • PFM-2000 Motorsaver: • 455 SSAC: • QLM, • QLV Time Mark: • 265 Wagner/DiversiTech: • DTP-3 • WPC-800 A-1: • EAC-800, • EAC-8000, • EAC-8002 Copeland: • 085-0160-00 Diversified: • AC-2020, • AC-301 • AC-302

Surge Protection





Product ID	Features & Applications	Specifications	Cross Reference
 <p>24-ICM517</p>	<p>Suitable for use on a circuit capable of delivering not more than 10,000 rms symmetrical amps, 240 volts max, when protected by a circuit breaker rated 20 to 60 amps maximum and 120 volts minimum.</p> <ul style="list-style-type: none"> • Single Phase Surge Protective Device • UL Listed, Type 2 Device • Metal, NEMA Type 3r Rated Enclosure • Rugged, Reliable • Easy Indoor/Outdoor Installation • LED Status Indicators • Backed by a Limited Lifetime Protection Warranty 	<ul style="list-style-type: none"> • Service Voltage: 120/240 volt, single phase • Maximum Surge Current: 100,000 Amps • Maximum Energy Dissipation: 1,020 Joules • Installation Point:- Electrical Panel - Service Disconnect • AC Protection Modes: L-L, L-N, L-G, N-G • Conduit Connection: 3/4" • Dimensions: 5"L x 2.78"W x 2.16"D • Weight: 0.55 lbs. 	<p>Supco: SCM150 Supco: SCM Plus</p>
 <p>24-ICM518</p>	<p>The ICM518 can be installed as a Type 1 or Type 2 device for both indoor and outdoor applications. 240 VAC split surge protective device.</p> <ul style="list-style-type: none"> • Easy 3-wire installation • 3/4" conduit connection • Green LED indicator tells whether the device is operational • Low cost, high performance • Rugged and reliable • UL Listed Type 1 or Type 2 SPD • NEMA Type 4X watertight enclosure for indoor/outdoor use • Surge protection technology: Thermally protected MOVs (TFMOV) 	<ul style="list-style-type: none"> • Service voltage (3-phase): Split Phase 240 VAC • Short Circuit Current Rating (SCCR): 200 kA • Nominal discharge current (In): 20kA • Protection mode: • L1-L2, L1-N, L2-N • Maximum Continuous Operation Voltage (MCOV): • L-L: 300 VAC • L-N: (for Wye configuration only): 150 VAC • VPR: • L-L: 1200 VAC • L-N: 700 VAC • SPD type: Type 1 (can also be used in Type 2 applications) • Surge protection technology: TFMOV • Input power frequency: 50/60 Hz • Dimensions: 4.30" x 4.10" x 2.30" 	<p>Eaton: SP1-240S</p>
 <p>24-ICM530 24-ICM531 24-ICM532 24-ICM533</p>	<p>The ICM530, ICM531, ICM532 & ICM533 are a series of Type 1 and Type 2 three-phase surge protective devices for three-phase Delta and three-phase Wye configurations. The ICM 3-phase surge protective device can be installed as a Type 1 or Type 2 device for both indoor and outdoor applications.</p> <ul style="list-style-type: none"> • Delta or Wye Configuration • NEMA Type 4X watertight plastic enclosure for outdoor and indoor installation • Green LED indicates surge protection present • Easily connects to electrical panel or disconnect for indoor and outdoor applications • UL Listed Type 1 or Type 2 SPD 	<ul style="list-style-type: none"> • Service voltage (3-phase): 240 VAC Delta or 120/208 VAC Wye • Short Circuit Current Rating (SCCR): 200 kA • Nominal discharge current (In): 20kA • Protection mode: • 3 for Delta configuration • 6 for Wye configuration (neutral tied to ground) • Maximum Continuous Operation Voltage (MCOV): • L-L: 300 VAC L-N: (for Wye configuration only): 150 VAC • VPR: • Delta L-L: 1200 VAC Wye L-L: 1200 VAC Wye L-N: 700 VAC • SPD type: Type 1 (can also be used in Type 2 applications) • Surge protection technology: TFMOV • Input power frequency: 50/60 Hz • Dimensions: 4.30" x 4.10" x 2.30" 	<p>ABB: OVRHLDxx-120 ASCO: 420120Y, 420240D Eaton: SP1-208Y, SP1-240D, SP2-208Y, SP2-240D ERICO (Critec): TDX50C120/208, TDX50C120/240D Intermatic: AG2083C3, L5F13Y1DG1 Leviton: 55208-ASA Siemens: TPS3D, TPS3C Square D: SDSA2040, SDSA2040D</p>

RapidStart® Motor Starters

Head Pressure & Pressure Controls



Dual ON/ OFF Delays Control Fan

Product ID	Features & Applications	Specifications	Cross Reference	
 <p>24-ICM325A</p>	<ul style="list-style-type: none"> • Evaporator freeze-ups • Hydraulic lock-ups • Liquid slugging • Compressor burnout • Fan cycling • and more 	<p>Input:</p> <ul style="list-style-type: none"> • Line input: 120-600 VAC • Control: 24-240 VAC (Jumper enabled) • 50/60 Hz 1.8 VA max. <p>Output (Motor 2):</p> <ul style="list-style-type: none"> • Maximum: 10 amps • Minimum: 100 mA 	<p>All Single Phase Head Pressure Control Models; ICM325H, ICM325HNV, ICM326HN, ICM327HN, ICM333.</p> <p>Including all single phase legacy LAQS Series Head Pressure Controls.</p>	<p>Hoffman: 800, 800A, 800AA, 814-50, 816-10</p> <p>Ranco: E31 Series</p> <p>Johnson Controls: P66AAB/ P66AAD</p>
 <p>24-ICM326HN 120 or 208/ 240 VAC</p>	<ul style="list-style-type: none"> • Built-in transformer eliminates cost, reduces installation time and simplifies wiring. • Helps prevent evaporator freeze-ups, low pressure cut-outs and liquid-slugged compressors in low ambient conditions. • Features hard start, low temperature cut-off, high temperature bypass. • 4.5" × 3" × 2". • Typical application: ideal for heat pumps, line voltage air conditioning and refrigeration. 	<p>24-ICM326H</p> <ul style="list-style-type: none"> • Control: 120 or 208/ 240 VAC. <p>24-ICM327H</p> <ul style="list-style-type: none"> • Control: 480 VAC. • Frequency: 50/ 60 Hz. <p>Output current:</p> <ul style="list-style-type: none"> • Max: 10 amps. • Min: 100 mA. 	<p>Ranco</p> <ul style="list-style-type: none"> • E31 Series <p>Johnson Controls</p> <ul style="list-style-type: none"> • P66 	<p>Hoffman</p> <ul style="list-style-type: none"> • 800 • 800A • 800AA • 814-50 • 816-10

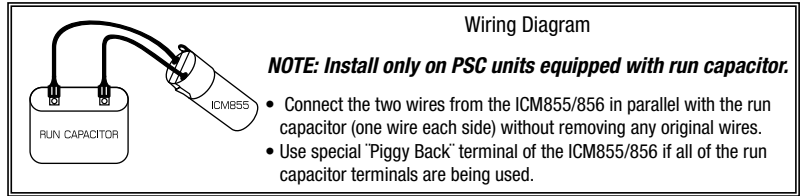
RapidStart® Motor Starters

Standard Hard Start Kits



Applications

- Low voltage situations.
- Tight or hard starting compressors.
- Use on any single phase A/C & refrigeration unit.



Product ID	Features & Applications	Specifications	X-Ref	
24-ICM855	<ul style="list-style-type: none"> • PTC - Positive Temperature Coefficient technology. • For PSC units with existing run capacitor only! • OEM approved. • Quick recycling. 	<ul style="list-style-type: none"> • Self-adjusting to voltage fluctuations. • Easy to install, 2 wires (clips or screws). • Boosts starting torque. • Most economical. 	<ul style="list-style-type: none"> • Voltage: 115 to 288 VAC. • Range: 1/2 to 10 HP • Recommended 1.5HP 	A-1: WXS-5 MARS: 32701, 35701 Supco: SPP-5 Wagner/DiversiTech: DST-5
24-ICM856	<ul style="list-style-type: none"> • PTC - Positive Temperature Coefficient technology. • For PSC units with existing run capacitor only! • OEM approved. • Quick recycling. 	<ul style="list-style-type: none"> • Self-adjusting to voltage fluctuations. • Easy to install, 2 wires (clips or screws). • Boosts starting torque. • Most economical. 	<ul style="list-style-type: none"> • Voltage: 115 to 288 VAC. • Range: 1/2 to 10 HP • Recommended 2.5HP 	A-1: WXS-6 MARS: 32702, 35702 Supco: SPP-6 Wagner/DiversiTech: DST-6
24-ICM857	For single-phase commercial and domestic capillary refrigeration systems and freezers	<ul style="list-style-type: none"> • Pre-wired for fast installation • Overload: 12A • 145-175 mfd 	<ul style="list-style-type: none"> • Voltage: 120 to 180VAC. • Range: 1/12HP to 1/5HP 	MARS: 32481 Supco: RC0810
24-ICM858	For single-phase commercial and domestic capillary refrigeration systems and freezers	<ul style="list-style-type: none"> • Pre-wired for fast installation • Overload: 22A • 243-292 mfd 	<ul style="list-style-type: none"> • Voltage: 120 to 180VAC. • Range: 1/4HP to 1/3HP 	MARS: 32741 Supco: RC0410
24-ICM859	For single-phase commercial and domestic capillary refrigeration systems and freezers	<ul style="list-style-type: none"> • Pre-wired for fast installation • Overload: 30A • 243-292 mfd 	<ul style="list-style-type: none"> • Voltage: 120 to 180VAC. • Range: 1/3HP to 1/2HP 	Supco: RC0210

Voltage Sensing Hard Start Kits



ICM's differential voltage sensing products employ patented circuitry which monitors differential compressor auxiliary voltage, determines the state of the motor and precisely engages and disengages the start capacitor. A timed safety circuit is provided in the event the motor fails to start within 2 seconds.

Product ID	Features & Applications	Specifications	X-Ref.	
24-ICM866U	<ul style="list-style-type: none"> • Increases starting torque up to 500%. • Ensures precise starts. • Reduces inventory. • Not affected by ambient temperature. • Recycles instantly (less than one sec.). • Multi-voltage operation... either 115 or 240 VAC motors. • Fuse protection. • Not effected by voltage or current fluctuations. 	<ul style="list-style-type: none"> • Multi-voltage operation – 115 or 230 VAC motors • 145-175 µF @ 330V 	<ul style="list-style-type: none"> • Recommended Range: 1/12 to 5HP application • UL Recognized 	Supco: SPP5, SPP6, SPP5E, SPP6E, SPP7E, SPP8E, SPP9E, SPP10E Kickstart: KS1, TO-5, KS8 5-2-1: CSR-U1, CSR-U2, CSR-U3 Watsco: WSX1 MARS: 32708, SS1, SS5, 32703, 32704, 32701, 32702 Diversitech: DST-5, DST-6





RapidStart® Motor Starters

Soft Start Control



The ICM870 Soft Start is intended for residential, commercial, RV & marine applications. The ICM870 integrates compressor or motor in-rush current over startup time, thus reducing peak current demand on a power supply source by up to 70%.

*New feature: Upon installation and every start cycle, the ICM870 soft start will initiate a routine 4-minute start delay indicated by a rapid flashing “Red” LED indicator light. Power on the A/C unit and wait 4-minutes for the delay routine to conclude. This should follow with a successful call from the thermostat, A/C startup and the LED indicator light to change from “Red” to “Green”. This feature has been added as a benefit to protect the compressor and ICM870 from rapid short cycling during startup.

Product ID	Features & Applications	Specifications	Cross Reference
 <p>24-ICM870-32A</p>	<ul style="list-style-type: none"> Reduces in-rush current/draw necessary at startup by up to 70% Prolong the life of the A/C by reducing excessive torque, wear and tear 4-minute on start delay Reduce loud noises, light flickering, and breaker trips Built-in self-learning algorithm Over-current protection Over/under voltage monitoring Built-in start capacitor LED fault indicators Ultrasonic sealed tamper-proof enclosure Installation hardware is included 	<p>Input: (L1, L2) – 100-240 VAC 50/60 Hz</p> <ul style="list-style-type: none"> Over voltage limits: 115 VAC nominal = 140 VAC, 240 VAC nominal = 264 VAC Under voltage limits: 115 VAC nominal = 95 VAC, 240 VAC nominal = 195 VAC <p>Outputs: Compressor</p> <ul style="list-style-type: none"> Solid state/relay Current: Max. nominal = 32A Over current limits: ICM870-32A = 40A 	<p>Hyper Engineering (Sure Start)</p> <p>Micro-Air (Easy Start)</p> <p>Carlo Gavazzi (RSBS Series)</p> <p>Carlo Gavazzi (Smooth Starter) – SS230V1P16-32</p>
 <p>24-ICM870-9A</p>	<ul style="list-style-type: none"> Reduces in-rush current/draw necessary at startup by up to 70% Prolong the life of the A/C by reducing excessive torque, wear and tear 4-minute on start delay Reduce loud noises, light flickering, and breaker trips Built-in self-learning algorithm Over-current protection Over/under voltage monitoring Built-in start capacitor LED fault indicators Ultrasonic sealed tamper-proof enclosure Installation hardware is included 	<p>Input:</p> <ul style="list-style-type: none"> (L1, L2) – 100-240 VAC 50/60Hz Over voltage limits: 115 VAC nominal = 140 VAC, 240 VAC nominal = 264 VAC Under voltage limits: 115 VAC nominal = 95 VAC, 240 VAC nominal = 195 VAC <p>Outputs:</p> <ul style="list-style-type: none"> Compressor Solid state/relay Current: Max. nominal = 9 FLA for ICM870-9A, 16 FLA for ICM870-16A Over current limits: ICM870-9A = 11.25A, ICM870-16A = 20A 	<p>Dometic (Smart Start)</p> <p>Micro-Air (Easy Start)</p> <p>Network RV (Soft Start)</p> <p>Hyper Engineering (Sure Start)</p> <p>Carlo Gavazzi (Smooth Starter) – SS230V1P08-16</p>

58mm ECM Fan Packs



The Unitronix line of motors is the latest in high efficiency unit bearing motors. The design incorporates permanent magnet, electronically commutated technology with the time proven ruggedness of the cast iron, unit bearing design. Dimensionally interchangeable with comparable output Shaded Pole and PSC unit bearing fan motors.

Features

- Exceeds 60% efficiency across a wide operating range in actual fan motor applications.
- Delivers constant speed regardless of line voltage fluctuation within the normal operating range.
- Cast iron bearing and thick film lubrication system for long life and dependability.
- Cool running, very low motor heat rise maximizes system efficiency.
- Lyall plug
- Evaporator fan duty
- Electro coated metal shroud with aluminum fan blade

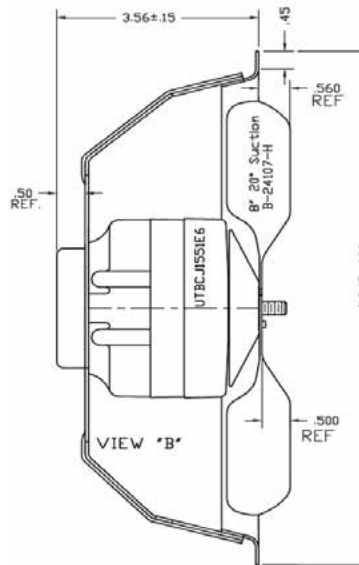
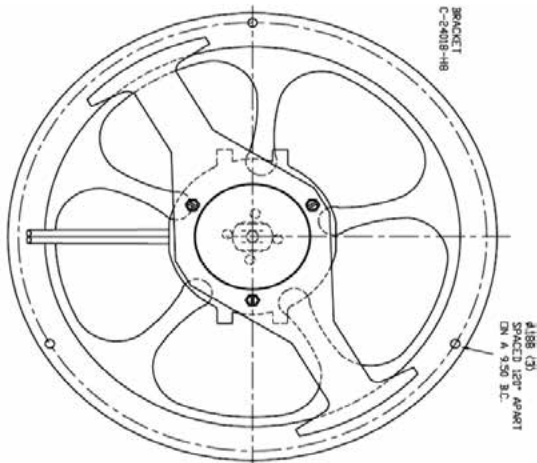


Figure A

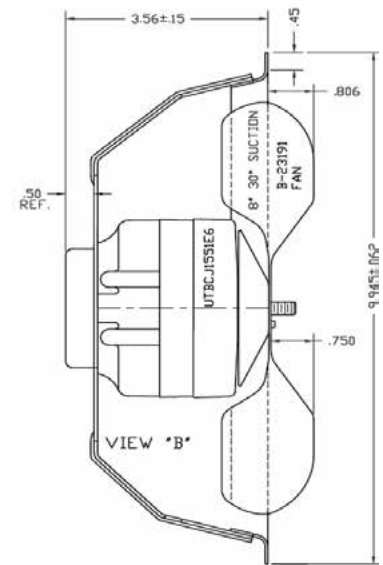


Figure B

Product ID	Volts	Speeds/ RPM	Rotation	Amps	CFM @ .05"	CFM @ .10"	CFM @ .15"	Cross	Figure
04-R5472	115	1/1550	CW	0.30	385	315	225	05471, 5SME58AAF1026, 05472, 5SME58AAF1031	B
	115	1/1550	CW	0.30	405	375	265		

Fan Coil DC ECM Motors



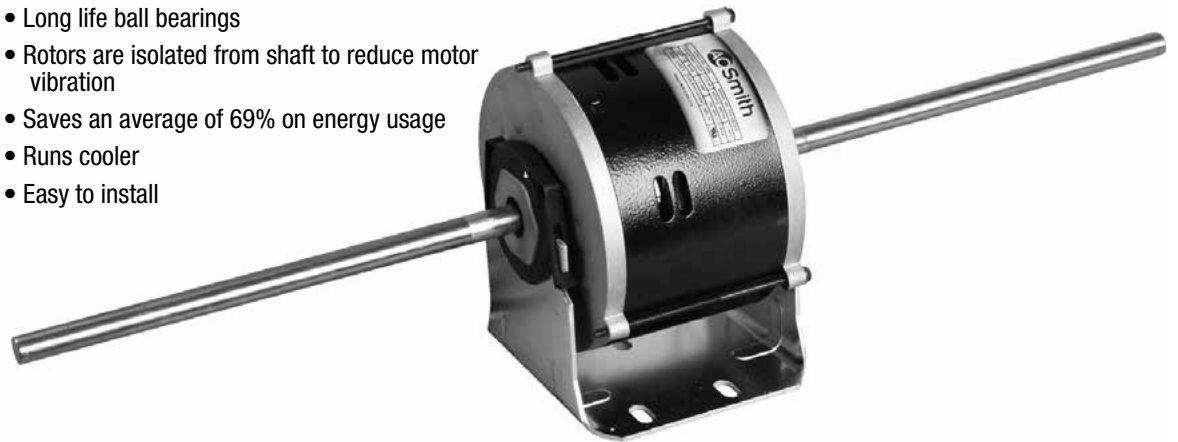
The **Comfort Select~FC** motor is a brushless DC high efficiency motor that runs off of a 120 volt single phase input. The motor is controlled by integrated electronics providing advanced motor protection with the same performance characteristics as a shaded pole or PSC motor. The **Comfort Select~FC** is designed as a direct replacement or retrofit product for shaded pole and PSC motors and may be used in fan coil and PTAC* applications as an energy saving retrofit.

Features

- Drop-in replacement
- Single Phase
- Brushless DC
- 3 Speeds
- 5 1/8" diameter
- 54" lead length
- Energy efficient

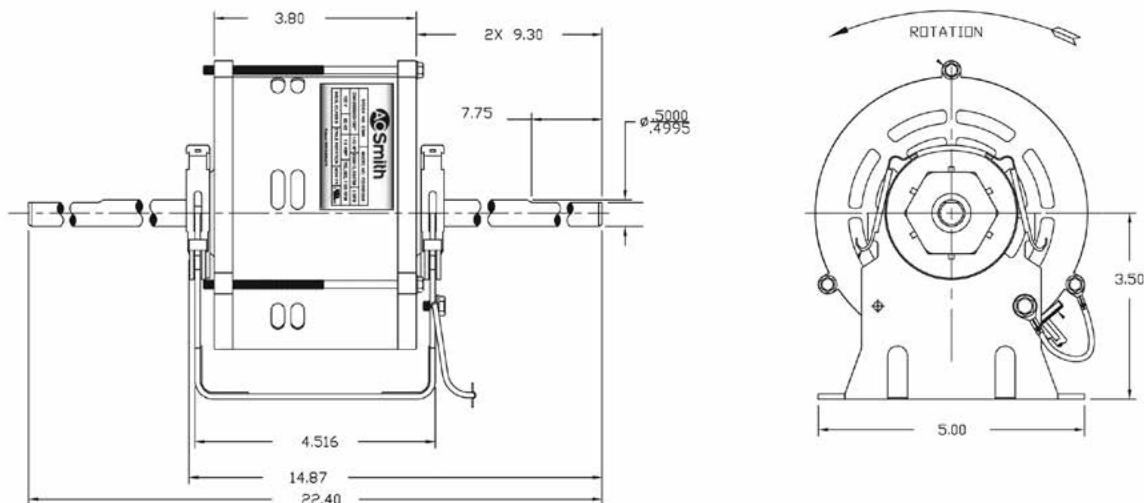
Benefits

- ECM with internal control
- Long life ball bearings
- Rotors are isolated from shaft to reduce motor vibration
- Saves an average of 69% on energy usage
- Runs cooler
- Easy to install



Fan Coils • Air Conditioners • Blowers • Shaded Pole or PSC Retrofit • Trane • Carrier • Amana • GE • Fan Coil & PTAC Units

Product ID	Volts	HP	Speeds	Rotation	Amps	RPMnRange	Shaft	Frame
M4-R2189	120	1/10	3	CWLE	1.56	1100,900,700	9.3" x 1/2" x 9.3"	42



Unit Bearing ECM Motors



Features

- Constant speed program works to maintain speed even in restricted airflow situations
- 15" Leads with Lyall plug
- Cast iron
- Vertical up or horizontal
- Suitable for use in evaporator and condenser applications
- Oil Rated -20°F to 120°F
- 5 drilled and tapped mounting holes allows for standard 3-hole and Hussmann 4-hole mounting.
- Leg Mount features four drilled & tapped mounting holes on each side

**Replaces 6, 9, 12, 13, 14, 15
& 16 Watt P.S.C. and Shaded
Pole Motors**



- Traditional 3 Point Mount = Red & White
- New Hussmann 4 Point Mount = Green & Red
- 04-R6711 replaces: Hussmann SVC #110.441.0546



Product ID	Volts	Watts	Amps	RPM	Rotation	A Dim.
04-R6711	115	6,9,12	.20/.30	1550	CW	2.53"
04-R6712	230	6,9,16	.20/.30	1550	CW	2.53"

ECM Unit Bearing Walk-in Cooler Replacement Motor

- Replacement for SSC 50 Watt motors on HTPG, HTP, Russel Coil, and Witt units
- Cross Reference
 - 115 Volt: 08216124 (R8124)
 - 230 Volt: 08216125 (R8125)



Product ID	Volts	Watts	Amps	RPM	Rotation	A Dim.
04-R8125	230	50	0.60	1550	CCW	2.78"

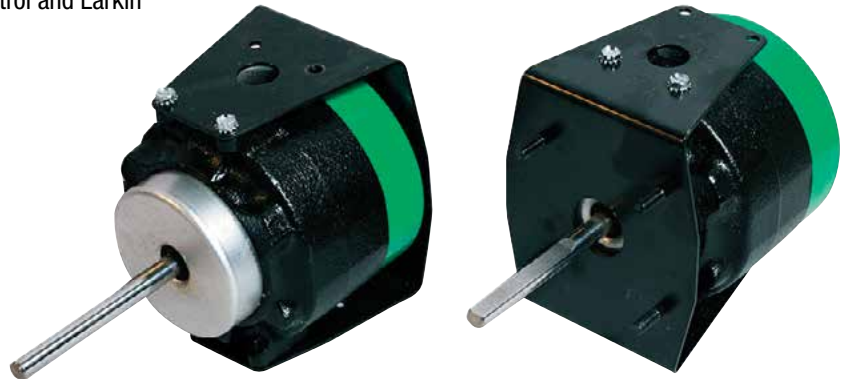
Unit Bearing ECM Motors

ECM Unit Bearing Replacement For 3.3" Diameter Motors



Heatcraft Replacement Motors - Bohn, Chandler, Climate Control and Larkin

- Walk-In cooler applications
- Low Temperature oil
- Bracket may be reversed for rear bolt (shaft down) applications
- Operating temperature:
-20°F(-29°C) to 104°F(40°C)
- 16" Leads with Lyall plug
- Cast iron
- Shaft down & horizontal mounting
- Suitable for use in evaporator or condenser applications



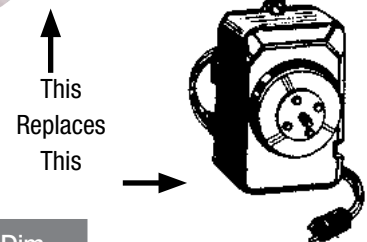
Product ID	HP	Amps	Volts	Rotation	RPM	Shaft	A Dim.	Cross
04-R6365	1/15	0.77	230	CW	1550	1.95" × 5/16"	3.2"	9210H, 05204, 5SME59BVA2037
04-R6370	1/10	1.35	115	CCW	1550	2.60" × 5/16"	4.4"	UTAGF1551JA
04-R6375	1/10	1.35	115	CW	1550	2.60" × 5/16"	4.4"	UTAGF1551JRA
04-R6380	1/10	0.50	230	CCW	1550	2.60" × 5/16"	4.4"	UTAGF1552JA
04-R6385	1/10	0.50	230	CW	1550	2.60" × 5/16"	4.4"	UTAGF1552JRA

ECM Unit Bearing Replacement For GE 44 Frame Motors

- Used on Hussmann, Tyler, & Hill Phoenix supermarket cases
- Operating temperature:
Evaporator fan duty only
-20°F(-29°C) to 40°F(4°C)
- 16" Leads with Lyall plug
- Cast iron
- Shaft vertical up & horizontal mounting



Featuring an extended hub to ensure proper fan blade location



Product ID	Watts	Amps	Volts	Rotation	RPM	Shaft	A Dim.
04-R5443	9	0.45	115	CW	1650	1/4" × 20"	2.78"
04-R5444	16	0.55	115	CW	1850	1/4" × 20"	2.78"

3.3" Diameter Motors

Features



- New Ball Bearing Design
- Direct Replacement For Many Heatcraft Applications
- Shaded Pole
- Single speed
- Stud Mounting
- Single Phase
- Special Lyall Plug and Cord Included
- Open Enclosure
- Automatic Overload
- All Copper Windings
- 60 Hz



41101B



41103B



41124B



41125B



41126B

Product ID	HP	Volts	RPM	Amps	Hertz	Rotation	Shaft Dimension (in.)	Length Less Shaft (in.)
41101B	1/20	115	1550	1.90	60	CCWSE	2.25x.31	2.75
41103B	1/20	208-230	1550	0.93	60	CCWSE	5/16 x 2-1/4	3
41124B	1/15	120	1550	2.00	60	CWSE	5/16 x 3	3
41125B	1/12	208 - 230	1550	-	-	-	-	-
41126B	1/15	208-230	208-230	1.10	60	CWSE	5/16x3	3-1/2

EC Unit Bearing Motors

EC Max RM

Features

- IP67 protection against dust and water
- High efficiency & wide replacement capability
- Mounting hardware included
- Ball bearing design for all angle mounting
- Double foot pad with threaded mounting holes
- High efficiency & wide replacement capability

Temperature Rating: -40° C to +55° C (-40° F to +130° F)



EC MAX[®]



5411EC

Product ID	Watts	Volts	RPM	Amps	Hertz	Rotation	Shaft Dimension (in.)	Length Less Shaft (in.)
5411EC	4 - 25	115-230	1550-1725	0.1-0.56/0.06-0.34	60/50	CWOSE	1/4 x 1/2	3
5412EC	4 - 25	115-230	1550-1725	0.1-0.56/0.06-0.34	60/50	CCWOSE	1/4 x 1/2	3
5411EC90*	4 - 25	115-230	1550-1725	0.1-0.56/0.06-0.34	60/50	CWOSE	1/4 x 1/2	3
5411EC2**	4 - 25	115-230	1550/800	0.1-0.56/0.06-0.34	60/50	CWOSE	1/4 x 1/2	3
5414EC	4 - 25	115-230	1550/1650	0.1-0.56/0.06-0.34	60/50	Reversible	1/4 x 1/2	3
5408EC	35 - 50@115V 35 - 60@230V	115-230	1550/800	0.8-1.0/0.52-0.8	60/50	Reversible	5/16 x 3	2 1/2

Product ID	Description	Screws	Spacer Diameter (In.)	Spacer Width (In.)
HA5411	Adapter Spacer	(5) #8-36 x .750	3.188	.365

*Includes 90 degree plug
**Plug not included

EBM Energy Saving Motor (ESM) Axial Fan Assembly

Features

- Can be programmed with Nano programmer
- Program two-speeds between available range
- 50/60 Hertz
- 115 & 230 VAC models available

ebmpapst

Product ID	Diameter Fan (in.)	Watts	Volts	RPM	Amps	Speeds	Rotation	Bearing
EBM9122	7	21	230	1700-2500	0.18	2	CCWSE	Ball
EBM9137	8	31	230	800-2100	0.24	2	CCWSE	Ball
EBM9523	7	22	115	1700-2500	0.3	2	CCWSE	Ball
EBM9538	8	31	115	800-2100	0.46	2	CCWSE	Ball

- Three wiring harness termination options, sold separately



EBM Programmer

Features

- Allows for effortless programming of the two ESM speeds
- Inserts directly into fan's programming port
- Battery operated, no cables required
- Easy to read LCD display

Product ID

EBM600003



Back Side of EBM9122, EBM9137, EBM9523, EBM9538

EC Motor Accembles

EBM Unit Cooler Fan Assembly

Features

- High efficiency ECM design
- Voltage sensing
- Plug included

Product ID	Watts	Volts	RPM	Amps	Speeds	Rot.	Bearings
EBM0207	63	100-240	1590	0.55	1	CWSE	Ball
EBM0210	70	100-240	900-1650	0.5	10	CWSE	Ball



Two options available:

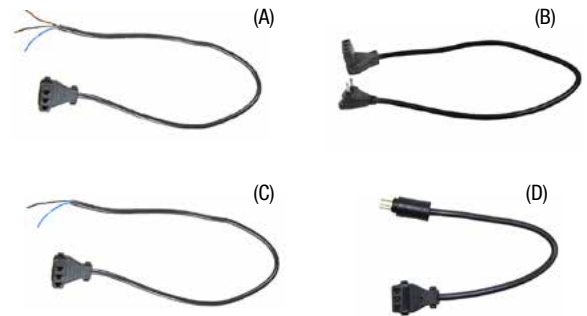
- EBM0207 – Fixed RPM suitable for use in Heatcraft unit coolers
- EBM0210 – RPM adjustable rotary switch

EBM Harness

Features

- Interchangeable cord sets for 8 in (200mm) EBM fan basket

Product ID	Image	Connection	Length (in.)
EBM10637	A	3 wire connection without plug	17.7
EBM10847	B	Two Pin Right Angle Lyall Plug	17.7
EBM10901	C	2 wire connection without plug	17.7
EBM10910	D	Three Pin Straight Lyall Plug	11



EC Unit Bearing Motors

Features

- 60/50 Hz
- IP65 Certified
- Shaded pole
- Water Shield
- Stud mounting
- Includes speed nut and 4 screws
- 5 - tapped and drilled mounting holes in rear
- 61312 has a straight lyall plug, 61313 has a 90 degree lyall plug
- Rotation is determined by viewing the shaft end
- Direct Replacements for Delfield, Bohn, Gemline and Nutone



**70%
EFFICIENCY!**

Product ID	Watts	Volts	RPM	Amps	Speeds	Rot.	Shaft Dim. (in.)	Length Less Shaft (in.)	Bearing	Mounting
61312	4-16	115	1550	0.16-0.42	1	CWLE	1/4 X 1/2	3-1/8	Ball	Double Foot Pad
61313	4-16	115	1550	0.16-0.42	1	CWLE	1/4 X 1/2	3-1/8	Ball	Double Foot Pad



EC Unit Bearing Motors

ECM Replacements for Heatcraft



Features

- 3.3" Diameter
- Constant Speed Design
- Brushless High Efficiency up to 75%
- 6 Drilled Holes with Threaded Inserts on Opposite Shaft End'
- Straight Lyall Plug
- Rated IP55



Product ID	Watts	RPM	Volts	Amps	Rot.	Shaft Dimension (In.)	Hertz	Direct Replacement
91635	16-35	1625	120-230	0.76 - 0.48	CWSE	5/16 x 2 1/2	60/50	Heatcraft 25317701 Heatcraft 25317801

Features

- Will replace 6 to 16 watt shaded pole unit bearing motors with clockwise shaft end rotation

Product ID	Watts	RPM	Volts	Amps	Rot.	Shaft Dimension (In.)	Hertz
91636	6-16	1550	120-230	0.35 - 0.22	CWSE	1/4 x 1/2 Threaded	60/50



Unitronix Unit Bearing EC Motors

Features

- Patented EMS electronically commutated motor technology
- Drop in replacements for shaded pole and PSC unit bearing motors
- Utilizes traditional cast iron unit bearing design for proven, trouble free long life
- Up to 70% efficient
- Low heat rise maximizes system efficiency
- Maintains constant speed over a wide range of fan applications
- Special patented water protection package
- 60/50 Hz
- Includes Lyall plug
- Rotation determined viewing lead end
- 13 mounting holes
- UL and cUL recognized

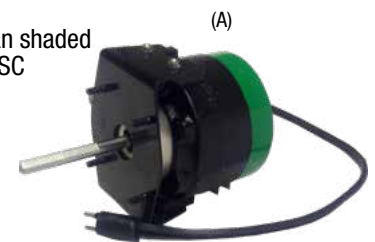


Product ID	Watts	RPM	Volts	Amps	Rot.	Mounting Holes	Direct Replacement For	Rotom
15621	6-12	1550	115	0.2 - 0.3	CWLE	5 Rear holes	Hussmann, Hill Phoenix, Kysor/Warren	04-R6711
15624	14-16	1550	115	0.47 - 0.58	CWLE	5 Rear holes	Hussmann, Hill Phoenix, Kysor/Warren	04-R6811



Features

- Electronically commutated motor
- Drop in replacements for 3.3" Diameter Shaded Pole & PSC Motors
- Includes Lyall plug
- Standard thru bolt configuration
- Rotation determined viewing the shaft end
- Efficiencies up to 3 times higher than shaded pole motors and 40% higher than PSC
- Totally enclosed, air over
- Automatic overload
- Unit Bearing



Product ID	Image	Watts	HP	RPM	Volts	Amps	Rot.	Mounting	Direct Replacement For	Rotom
15211	A	—	1/15-1/25	1550	115	1.25	CWSE	4 STUDS SE	Heatcraft, Bohn, and Krack	04-R6350
15212	A	—	1/15-1/25	1550	115	1.25	CCWSE	4 STUDS SE	Heatcraft, Bohn, and Krack	—
15221	A	—	1/15-1/25	1550	230	0.77	CWSE	4 STUDS SE	Heatcraft, Bohn, and Krack	04-R6360
15222	A	—	1/15-1/25	1550	230	0.77	CCWSE	4 STUDS SE	Heatcraft, Bohn, and Krack	04-R6365
15546	B	12	—	1550	115	0.3	CWLE	5 Rear holes	Hussmann 4410546	—
15547	B	13	—	1725	115	0.3	CWLE	5 Rear holes	Hussmann 4410547	—



Solid State Commutated Unit Bearing Motors



A high-efficiency EC motor with a dust-tight, water-tight IP66 rating.

- The next generation of ECM unit bearing motor with multi-watt range capability
- Used for commercial refrigeration
- IP65 Certified making it compatible for applications where the use of pressurized water for wash down is a standard procedure
- ATEX Certified allowing its application where flammable refrigerants are used

- 66% Peak Efficiency = 45% higher than a PSC motor
- Ball bearing with low temperature grease
- Operating Temps: -40° C to 55° C ambient
- 5 drilled & tapped mounting holes on rear of the motor

KRYO[™] SSC



Product ID	Image	Watts	Volts	RPM	Amps	Spd.	Rot.	Shaft Dim. (In.)	Length Less Shaft (in.)	Hertz	Mounting	Direct Replacement	Notes
10999	A	4 - 25	115	1550	0.60	1	CW	1/4 x 1/2	—	—	Universal 5-Hole Mount	—	—
10112	A	12	115	1550	0.30	—	CW	—	—	50/60	Double	12CSHEMA1	—
10215	A	12	230	1550	0.15	—	CW	—	—	50/60	Double	15CSHEMA2	—
10012	B	6-12	115	1550	0.30	—	CW	1/4 Threaded	—	60	—	Hussmann 4410546	554
10020	B	16-25	115	1575	0.60	—	CW	1/4 Threaded	—	60	—	Hussmann 4410547	554
10022	B	16-25	115	1575	0.60	—	CCW	1/4 Threaded	—	60	—	—	554
20020	C	16-25	208-230	1575	0.30	—	CW	1/4 Threaded	—	60	—	—	554
20022	C	16-25	208-230	1575	0.20	—	CCW	1/4 Threaded	—	60	—	—	554
10036	D	35-50	208-230	1550	0.45	—	CW	1/4 Threaded	—	50/60	—	—	—
10040	D	35-50	115	1550	0.90	—	CCW	1/4 Threaded	—	50/60	—	—	—
10042	E	35-50	208-230	1550	0.45	—	CCW	1/4 Threaded	—	50/60	—	—	—
10312	G	12	115	1550	0.30	—	CW	—	—	50/60	Double	12CSHBV2	—

Notes: 554. Includes water shield to protect motor during coil cleaning

Kryo[™] Fortress Motor

A high-efficiency EC motor with a dust-tight, water-tight IP66 rating.



Features

- Replace 28 different motor ratings
- Dual voltage
- Reversible
- Multi-mount
- Energy efficient

KRYO[™] SSC

Product ID	Watts	Voltage	RPM	Amps	Speed	Rot.	Bearing	Enclosure	Shaft	Note
FA-MD5411	4-27	90-240	1550	.30-.65	1	Rev	Ball	IP66/IP67	1/4-20	A
FA-MD5411S	4-20	90-240	1550	.30-.55	1	Rev	Ball	IP66/IP67	1/4-20	A



Note: A - Stock No. 2117 - 90° cord adapter available separately

*Energy Savings EC Design - Comparison 16 Watt

Kyro™ Fortress ECM Fan Packs



An energy-efficient, unit bearing style EC fan pack built to withstand harsh commercial refrigeration environments and cleaning practices.

Features

- Dual voltage
- Easy to install
- IP66 enclosure
- Can operate in temperatures between -40°C & 55°C

Product ID	Image	CFM	Watts	Voltage	RPM	Amps	Speed	Rotation	Bearing	Mounting B. C.	Note
FA-MD5469	A	355	4-20	90-240	1550	.55-.20	1	CCWSE	Ball	9.532"	1,3
FA-MD5470	B	355	4-20	90-240	1550	.55-.20	1	CCWSE	Ball	9.800"	2,3
FA-MD5471	B	390	4-20	90-240	1450	.55-.20	1	CCWSE	Ball	9.800"	2,3
FA-MD5472	B	415	4-20	90-240	1550	.55-.20	1	CCWSE	Ball	9.800"	2,3

Notes: 1- Right Angle Plug, 2- Straight Plug, 3-Fan Pack
 *Energy Savings EC Design - Comparison 16 Watt Motors @ 1550 RPM

Unit Bearing Motors ECR



ECR ONE Constant Torque Motor

Applications

Supermarket refrigeration, vending machines and other condenser and evaporator fan applications

Features

- Drop in replacement for shaded pole and PSC motors
- Electronically commutated motors with integrated electronic control
- ECR up to 70% energy savings; UL recognized
- IP55 moisture and dust protection
- Totally enclosed, ball bearings, CCWSE rotation, can be mounted in any position
- Operating temperature of ECR ONE motors: -22°F to +122°F
- Operating temperature of ECR UltraSynch motors: -22°F to +104°F
- Motors are built using 30% less copper and 80% less steel for a greener, more affordable solution
- ECR UltraSynch motor includes Lyall plug
- ECR ONE is a constant torque motor and will replace a shaded pole motor of matching wattage using the same fan blade
- ECR UltraSynch is a constant speed motor operating at 1800 RPM over a wide range of voltage and load conditions.
- The correct fan blade must be specified to properly balance air flow.

Product ID	Watts	Volts	RPM	Amps	Hertz
ECR01A0241	9	115	1550	0.23	60
ECR01A0102	12	115	1550	0.31	60
ECR01A0243*	16	115	1550	0.41	60

*7 Drilled and tapped inserts for mounting.



ECR UltraSynch™ Constant Speed Motor

Product ID	Watts	Volts	RPM	Amps	Hertz
ECR92PJA12	9-16	120	1800	0.34	60



Solid State & Fan Packs

Solid State Commutated Unit Bearing Motors



Features

- Direct drop-in replacements
- Ultimate commutated technology
- Unit bearing construction
- 100% performance tested
- Includes Lyall plug
- Rotation is determined by viewing opposite shaft end
- Peak efficiencies in excess of 80% means lower operating temperatures and extended motor life
- Constant 1550 RPM operating speed is identical on either 50 or 60 Hertz
- Constant 1550 RPM regardless of fluctuations in voltage



Product ID	Image	Watts	Volts	RPM	Amps	Rot.	Plug	Hertz	Foot Pads	Material	Direct Replacement
10313	A	16	115	1550	0.30	CWLE	90 Degree 2 Prong Plug	50/60	Double	Aluminum	12CSHEMV1
10113	B	16	115	1550	0.40	CWLE	Straight 2 Prong Plug	50/60	Double	Aluminum	13CSHEMA1
10218	C	38	115	1550	0.90	CCWLE	Straight 2 Prong Plug	50/60	Double	Cast Iron	18AHEMAR1
10219	C	38	208-230	1550	0.45	CCWLE	Straight 2 Prong Plug	50/60	Double	Cast Iron	19AHMAR2

58MM ECM Fan Pack

Features

- Includes basket w/ 9.8 inch bolt circle mounting and fan blade
- Variable torque, constant speed EC motors
- 40° to 55°C ambient operating temperature
- Class B Insulation
- Lyall plug



Product ID	HP	Volts	RPM	Amps	Spd	Hertz	Rot.	Bearing	Phase	CFM at 0.05" Static Pressure	Direct Replacement
FA-5R026	Replaces up to 12W	115	1550	0.3	1	60	CWLE	Unit Bearing	1	330	3426B, SSC2B12CSHEMA1
FA-5R027	Replaces up to 12W	115	1450	0.4	1	60	CWLE	Unit Bearing	1	370	3427B, SSC2B13CNHEMA1
FA-5R028	Replaces up to 12W	115	1550	0.4	1	60	CWLE	Unit Bearing	1	400	3428B, SSC2B13CSHEMA1

Electronically Commutated Refrigeration

Motors and Fan Kits



Product ID	Includes	Direct Replacement
ECR92950	<ul style="list-style-type: none"> • ECR92PJA12 Motor • Mounting Shroud • 8 Inch 15 Degree Fan Blade 	GE FAN PACK 5SME58AAF1430 900 & 950 RPM
ECR921200	<ul style="list-style-type: none"> • ECR92PJA12 Motor • Mounting Shroud • 8 Inch 25 Degree Fan Blade 	GE FAN PACK 5SME58AAF1430 1100 & 1200 RPM
ECR921400	<ul style="list-style-type: none"> • ECR92PJA12 Motor • Mounting Shroud • 8 Inch 28 Degree Fan Blade 	GE FAN PACK 5SME58AAF1430 1300 & 1400 RPM



9-16 Watt, 120 Volt, 0.34 Amps
Assembled in the USA

Refrigeration ECM Motors

Reduce your carbon foot print and electricity bill at the same time. Become more environmentally friendly! The ECM series allows efficiency rates up to 70%, 4-5 times more efficient than a traditional shaded pole fan motor. Higher efficiency means cooler motor operation, longer bearing expected life and reduced heat delivered to the refrigeration cycle, for a combined energy saving advantage and improved refrigeration quality.



The ECM-IP Series is widely used in industrial and commercial refrigeration for condensing and evaporating units, food and beverage coolers, freezers, supermarket display cases, walk-ins and reach-ins.



Features

Increased Life:

Life expectancy of 60,000+ hrs. with our sealed ball bearing option.

Moisture Protection:

The ECM series offers IP65 & IP66 moisture protection grade, one of the highest in the industry.

Wide Range of CFM:

Choose among three different factory preset RPM options and a wide range of fan blades from 6 to 10 inches diameter and various pitches, to satisfy all CFM needs.

Multiple Mounting:

Compatible with ELCO's standard accessories, giving higher flexibility in motor mounting. Installation on a shroud, a grid or a mounting bracket.

Drop In Replacement:

The ECM-IP Series motor is a direct drop-in replacement to our shaded pole motor (NU series) for an easy and hassle free "green turn".

Modular Design

Designed to mount ELCO standard (and third party) or integrated design fan blades, for extreme application flexibility and to cover a wide range of performance requirements.

Compact Design:

The ECM compact design with its integrated plastic fan blade is ideal for reduced space depth applications.

Product ID	Watt	Volt	RPM	Amp	ELCO OEM #	Type	A dim.	Cord length	Term. / Plug.
EC-HE0147	12	115	1450	0.18	EDA12153UC0147	A	3.61"	14'	3pin 90°
EC-HE0170	12	115	1450	0.18	EDA12153UN0170	B	3.62'	14'	3pin 90°
EC-HE0176	15	115	1600	0.22	EDA15253UC0176	A	4.00"	16"	2pin 90°
EC-HE0182	10	115	1550	0.19	EDA10153UC0182	A	3.61"	16"	2pin 90°
EC-HE0182	10	115	1600	0.19	-	-	-	16"	-
EC-HE0358	10	115	1600	0.19	-	-	-	16"	-
EC-HE0370	15	115	-	-	-	-	-	-	-

Cross Reference

Product ID	OEM Name	OEM #
EC-HE0147	Arneg Canada & US	34410013 , 34410009, 24681010
EC-HE0170	Arneg Canada & US	34410012 (for fan 34415010)
EC-HE0176	Hill Phoenix	P078449H
EC-HE0182	Hill Phoenix	P079441C, P066237A
EC-HE0358		HILL PHOENIX,P079441C, P066237A
EC-HE0370		ARNEG CANADA & US34410012 (FOR FAN 34415010)

Heatcraft® Replacements - Fan Assemblies

BNE Air Cooled Condenser Fan Assembly Replacement Unit



**Exact OEM Original
Replacement Part**

Features

- Fans can be wired to work as 0-10V or 10-0V control input using a jumper wire, no programming needed
- Fans can be installed as lead fans or downstream fans on a condenser layout
- Includes components and instructions for fan assembly replacement to OEM specs



Heatcraft P/N	ebm-papst P/N	Description
25318801	S3G800-CY24-16A	200-240V
25318901	S3G800-CY27-06A	380-480V

Note: Metal venturi wall ring not included

3.3" Refrigeration Motors

3.3" Hubless Motors - Totally Enclosed



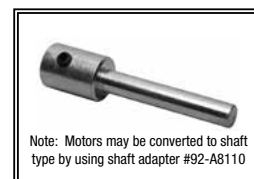
115 & 230 Volts - Sleeve and Ball Bearing - Shaded Pole

Product ID	HP	Amps	Spd/RPM	Voltage	Rot.	Body	Feature	Comment
04-R1211	1/150	0.30	1/1550	115	CW	2.09	0.67" TO HUB FACE	5 WATT, DOMESTIC REF.
R1-R128	1/135	0.35	1/1550	115	CW	2.09	3 PT. MTG., 3 PIN PLUG	COLDSTREAM
R1-R122	1/60	0.35	1/1550	230	CW	2.50	3 PIN PLUG	FOSTER, COLDSTREAM
R1-R114	1/125	0.45	1/1550	115	CW	2.09	LEADS, 3 POINT OR LEG MOUNTING	GENERAL REPLACEMENT
R1-R108	1/100	0.60	1/1550	115	CCW	2.00	ONE U BRACKET, LEADS	BLANCHARD
R1-R137	1/70	0.59	1/1550	115	CW	2.20	2 PIN PLUG	COLDSTREAM
R1-R127	1/80	0.75	1/1600	115	CCW	2.09	STUD MOUNTING	FOSTER
R1-R125	1/20	0.80	1/1500	230	CCW	4.00	2 PIN PLUG, BALL BEARING	DUNHAM, BUSH
R1-R101	1/45	0.90	1/1550	115	CW	2.30	2 PIN PLUG, LEG MTG.	HUSSMANN
R1-R101L	1/45	0.90	1/1550	115	CW	2.30	2 PIN PLUG	HUSSMANN
R1-R103	1/45	0.90	1/1550	115	CCW	2.30	2 PIN PLUG	HUSSMANN
R1-R124	1/20	1.55	1/1550	115	CCW	4.00	2 PIN PLUG, BALL BEARING	DUNHAM BUSH

51 Frame Unit Bearing Motors

3.5" Diameter - 51 Frame - Totally Enclosed

Morrill / EMS Replacements

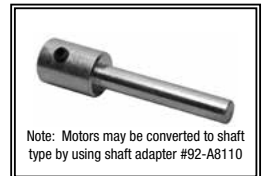
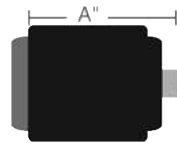


Part #	Watts	Amps	Volts	Rot	RPM	Shaft	Cross Reference
04-R5109	2	0.25	115	C.W.	1550	(THREADED)	GE 5109, WR60X77, 5KSM51AG3070, 5KSP51AZL826
04-R5211	4	0.35	115	C.W.	1550	(THREADED)	TECUMSEH TFM41, G.E. 5211 5KSP51AL511
04-R5212	4	0.35	115	C.C.W.	1550	(THREADED)	G.E. 5212, 5KSP51AL513
04-R5221	4	0.20	230	C.W.	1550	(THREADED)	G.E. 5221, 5KSP51AL512, COPELAND 050-0246-00
04-R5222	5	0.20	230	C.C.W.	1550	(THREADED)	G.E. 5222, 5KSP51AL514
04-R5911	5	0.35	115	C.W.	1550	1/4" THREADED	COPELAND 050-0010-00,0178-00 050-0246-01,HILL PP7577
04-R6247	5	0.35	115	C.W.	1550	(THREADED)	REPLACEMENT MOTOR FOR CORNELIUS
04-R1211	5	0.30	115	C.W.	1550	1.1"(THREADED)	199D354H01, H06, H13, WR60D1, 6550923, 6550928
04-R5311	6	0.50	115	C.W.	1550	(THREADED)	G.E. 5311, 5KSP51CL501, TECUMSEH TFM61
04-R5312	6	0.50	115	C.C.W.	1550	(THREADED)	5914767, 5914782, G.E. 5312, 5KSP51CL502
04-R6243	6	0.50	115	C.W.	1550	(THREADED)	REPLACEMENT MOTOR FOR CORNELIUS
04-R5411	9	0.60	115	C.W.	1550	(THREADED)	G.E. 5411, 5KSP51ECL551 TECUMSEH TFM91
04-R5412	9	0.60	115	C.C.W.	1550	(THREADED)	G.E. 5412, 5KSP51ECL553
04-R5421	9	0.30	230	C.W.	1550	(THREADED)	TECUMSEH TFM62, TFM92, G.E. 5421, 5KSP51ECL552
04-R5422	9	0.30	230	C.C.W.	1550	(THREADED)	G.E. 5422, 5KSP51ECL554
04-R5611	9	0.60	115	C.W.	1550	(THREADED)	HUSSMANN 47000, 58698
04-R5612	9	0.60	115	C.C.W.	1550	(THREADED)	HUSSMANN 38360
04-R6273	9	0.60	115	C.W.	1550	(THREADED)	CONDENSER MOTOR FOR CAN TYPE VENDING MACHINES

51 Frame Unit Bearing Motors

3.5" Diameter - 51 Frame - Totally Enclosed

Morrill / EMS Replacements



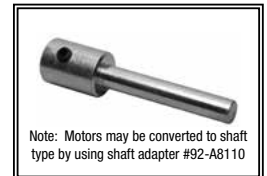
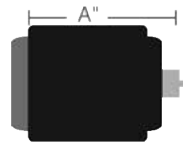
Product ID	Watts	Amps	Volts	Rot	RPM	A Dim	Shaft	Comment
04-R5811	16	1.00	115	CW	1550	3.03"	Hubless	050-0164-00, 050-0247-00, 401-0032-01, G.E. 5811
04-R5812		1.00	115	CCW	1550	3.03"	Hubless	G.E. 5812, 5KSP51GL583T
04-R5821		0.50	230	CW	1550	3.03"	Hubless	G.E. 5821, 5KSP51GL582T
04-R5822		0.50	230	CCW	1550	3.03"	Hubless	G.E. 5822, 5KSP51GL584
04-R2011	23	0.80	115	CW	1500	3.75"	Hubless	HILL PP20934F
04-R2511	25	1.10	115	CW	1500	3.50"	Hubless	TECUMSEH TFM191, 810E019A73, 810E019A80
04-R2512		0.60	230	CW	1550	3.50"	Hubless	G.E. 0253
04-R3511	35	1.40	115	CW	1500	3.50"	Hubless	TECUMSEH TFM351, HUSSMANN 328346, COPELAND 050-0227-01
04-R3512		0.70	230	CW	1500	3.50"	Hubless	TECUMSEH TFM 352, 810M35A12, 810M35A21, 810M35A28, COPELAND
04-R3521		1.40	115	CCW	1500	3.50"	Hubless	G.E. 0352
04-R3522		0.70	230	CCW	1500	3.50"	Hubless	ESPL35EM2B2C2, ESPL35EMR2
04-R3531		1.40	115	CW	1500	3.60"	Hubless	Copeland 050-0367-03, 050-0367-06, 050-0367-10 EMS ESP-L35EM12H
04-R3612		0.70	230	CW	1500	3.50"	1.4"×5/16"	TECUMSEH TFM262, TFM362, 810A108, 810E026A81

51 Frame Unit Bearing Motors

3.5" Diameter - 51 Frame - Totally Enclosed



Morrill / EMS Replacements



Product ID	Watts	Amps	Volts	Rot	RPM	A Dim	Shaft	Comment
04-R5011	50	1.70	115	CW	1500	4.50"	1.5"×3/8"	COPELAND 050-0011-01,0017-02 050-0237-01, 998100800
04-R5012		0.85	230	CW	1500	4.50"	1.5"×3/8"	COPELAND 050-0017-01,03,0011-00, 0101-00,0237-00,998100700
04-R5021		1.70	115	CCW	1500	4.50"	1.5"×3/8"	A0502, 259, ESPLO5EMR1
04-R5022		0.85	230	CCW	1500	4.50"	1.5"×3/8"	TECUMSEH 810A31B, 810G037A20
04-R5031		1.70	115	CW	1500	4.50"	Hubless	Copeland 050-03440-01, EMS ESP-OL50EM16H
04-R5032		0.85	208/ 230	CW	1500	4.50"	Hubless	Copeland 050-03440-00, 050-03440-10 EMS ESP-OL50EM26H
04-R5112		0.85	230	CW	1500	4.50"	1.4"×5/16"	TECUMSEH, 810M50A62
04-R5122		0.85	230	CCW	1500	4.00"	2.0"×5/16"	TECUMSEH TFM502, 810G050A50, 050-0264-0
04-R5460		0.44	460	CW	1500	4.50"	Hubless	Copeland 050-03440-03, EMS ESP-OL50EM46H

51 Frame Refrigeration Motors

3.5" Diameter - 51 Frame - Totally Enclosed

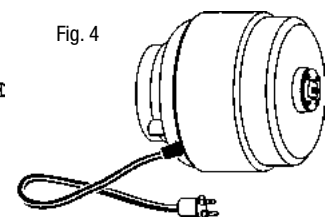
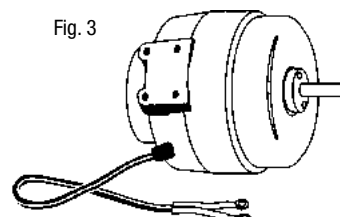
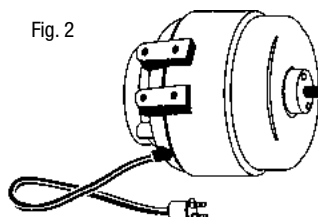
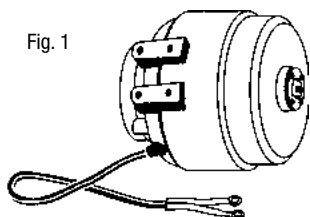
GE Replacements - Shaded Pole



- Unit Bearing
- CW Rotation
- 51 Frame
- Hubless Shaft



Product ID	Watts	Volts	Amps	Spd/RPM	Type	Fig.	"A"	Shaft	Termination
EE-5211	4	115	0.29	1/1550	SP	1	2.74"	1/4" × 20 Hubless	
EE-5311	6	115	0.40	1/1550	SP	1	2.74"	1/4" × 20 Hubless	
EE-5610		115	0.40	1/1550	SP	4	2.74"	1/4" × 20 Hubless	
EE-5411	9	115	0.52	1/1550	SP	1	2.74"	1/4" × 20 Hubless	
EE-5611		115	0.52	1/1550	SP	2	2.74"	1/4" × 20 Hubless	
EE-5811	16	115	0.90	1/1550	SP	1	2.97"	1/4" × 20 Hubless	
EE-5821		208/230	0.50	1/1550	SP	1	2.97"	1/4" × 20 Hubless	
EE-2511	25	115	1.10	1/1500	SP	1	3.15"	1/4" × 20 Hubless	
EE-2512		208/230	0.55	1/1500	SP	1	3.15"	1/4" × 20 Hubless	
EE-5011	50	115	1.70	1/1500	SP	3	3.52"	3/8" × 1.5"	
EE-5012		208/230	0.85	1/1500	SP	3	3.52"	3/8" × 1.5"	
EE-5112		208/230	0.85	1/1500	SP	3	3.52"	5/16" × 1.5"	



PSC Unit Bearing Motors



Leads

04-R5711 HUSSMANN / HILL / KYSOR	
04-R5715, 04-R5716 TYLER / KYSOR	
04-R5720 REVERSIBLE MODEL FOR ALL MANUFACTURERS	
EE-8419, EE-8416 STRIPPED LEADS	
04-R5730 TRUE Wiring Harness For Pepsi	

Product ID	Watts	Volts	Amps	RPM	Rot	Type	Body	Shaft
04-R5730	9	115	0.26	1600	Rev	PSC	3.87"	1/4-20 Threaded
04-R5711	12	115	0.37	1550	CW	PSC	3.13"	1/4-20 Threaded
04-R5715	12	115	0.37	1550	CW	PSC	3.13"	1/4-20 Threaded
EE-8416	16	115	0.41	1550	CW	PSC	3.53"	1/4-20 Threaded
04-R5716	16	115	0.40	1550	CW	PSC	3.13"	1/4-20 Threaded

Cross Reference

Product ID	Hussmann	Hill	Tyler	Kysor	True
04-R5730	-	-	-	-	Condenser Fan c/w wiring harness for Pepsi
04-R5711	301263, 301264, 329646, 400603	P41661	-	09A10-054, 9A10-055	-
04-R5715	-	-	5215879, 237801	73049	-

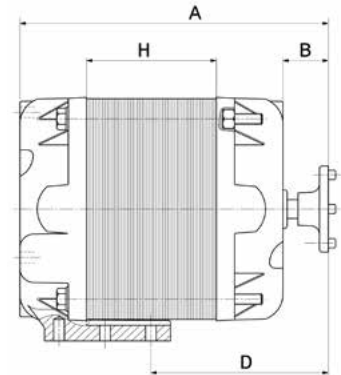
Refrigeration Motors



Features

- Shaded pole
- 4 Pole
- Totally Enclosed
- 50/60 Hz
- Long Life Lubricated Sintec Sleeve-Bearings
- Duty: Continuous Air-over. Operation: All Angle
- Rotation: CW Opposite Shaft End
- Cord: 21"/23" Lead Length With #10 Ring Studs
- Mounting: 1 Foot, Front Shroud, Tapped Rear 3-Hole
- Included: Nuts, Screws & Fan Blade Adapter

SLEEVE BEARING



115 & 230 Volt

Product ID	Watts	HP	RPM	Volts	Amps	Prot.	Dimensions: mm (")			
							H	A	B	D
EC-4W115	4	1/185	1550	115	0.36	Imp.	13 (.51')	71.5 (2.82')	12.5 (.49')	42 (1.65')
EC-4W115V835		1/185	1550	115	0.40	TH.	13 (.51')	71.5 (2.82')	17 (.68')	42 (1.65')
EC-5W115	5	1/150	1550	115	0.40	TH.	13 (.51')	71.5 (2.82')	12.5 (.49')	42 (1.65')
EC-6W115		6	1/125	1550	115	0.41	Imp.	20 (.79')	77.5 (3.05')	12.5 (.49')
EC-6W230	1/125		1550	230	0.20	Imp.	20 (.79')	77.5 (3.05')	12.5 (.49')	48 (1.89')
EC-9W115	9	1/83	1550	115	0.58	TH.	20 (.79')	77.5 (3.05')	12.5 (.49')	48 (1.89')
EC-9W115V834		1/83	1550	115	0.58	TH.	20 (.79')	77.5 (3.05')	17 (.68')	48 (1.89')
EC-9W230		1/83	1550	230	0.35	TH.	20 (.79')	77.5 (3.05')	12.5 (.49')	48 (1.89')
EC-18W115	18	1/47	1550	115	1.0	TH.	30 (1.18')	91.5 (3.6')	16 (.63')	62 (2.44')
EC-18W230		1/47	1550	230	0.5	TH.	30 (1.18')	91.5 (3.6')	16 (.63')	62 (2.44')
EC-34W115	34	1/20	1550	115	1.6	TH.	45 (1.77')	106.5 (4.19')	15.5 (.61')	61 (2.4')
EC-34W115V1543		1/20	1550	115	1.6	TH.	45 (1.77')	106.5 (4.19')	33 (1.3')	61 (2.4')
EC-34W230		1/20	1550	230	0.8	TH.	45 (1.77')	106.5 (4.19')	15.5 (.61')	61 (2.4')
EC-34W230V1542		1/20	1550	230	0.8	TH.	45 (1.77')	106.5 (4.19')	33 (1.3')	61 (2.4')

Notes: Imp. = Impedance. - TH. = Thermal Protection

Fan Blades

Product ID	Motor	Diameter: mm (")	Pitch	Blades	Application	Construction
EC-4012309	4 & 5 W	154 (6.06')	19°	5	Suction	Aluminium
EC-4012543		172 (6.77')	28°	5	Blower	Aluminium
EC-4VEA009	6 & 9 W	200 (7.87')	28°	5	Suction	Plastic
EC-4VEA010		200 (7.87')	34°	5	Suction	Plastic
EC-4VEA013	9 W	230 (9.05')	25°	5	Suction	Plastic
EC-4VEA006	16 W	230 (9.05')	31°	5	Suction	Plastic
EC-4VEA007		254 (10.0')	28°	5	Suction	Plastic

Fan Guards

Product ID	Description
EC-1055223	Plastic, 7.87" Dia.
EC-1055224	Plastic, 10" Dia.
EC-1055318	Metal, 9.05" Dia.
EC-1055303	Metal, 10" Dia.

Plastic Brackets

Product ID	Description
EC-EUBKT01	Bracket for US style Elco Motors

Ventilation Motors & Fan Kits



Motor Product ID	Blower Product ID	HP	Amps	RPM	CFM	Shaft	Bracket Part#	Blower Product ID	Dia.	Width	Bore	Rot	Cross
T1-R630	R7-RB20	1/185	0.76	1/1500	60	1.90"×7/32"	92-A8600	93-A7105	5"	1 1/8"	7/32"	CW	013005, EB50
O6-R260	R7-RB22	1/80	0.65	1/1500	75	1.10"×5/16"	92-A8602	66-A508202	5 1/16"	2"	5/16"	CW	B60, 013012, EB60, 4099
O6-R262	R7-RB24 R7-RB25	1/40	1.00	1/1550	130 130	1.50"×5/16"	92-A8602	66-A508216	5 1/16"	2 5/32"	5/16"	CW	B100, K100, 013011, 4105
O6-R264	R7-RB26	1/60	0.95	1/1550	141	1.80"×5/16"	92-A8604	66-A610215	6 1/16"	2 5/32"	5/16"	CW	QK100, 013020
O6-R265	-	1/75	0.65	1/1400	115	1.63"×5/16"							QB100
O6-R266	R7-RB28	1/20	1.65	1/1550	201	1.40"×5/16"	92-A8604	66-A610215	6 1/16"	2 5/32"	5/16"	CW	BK100, 013024, 4115
O6-R267	-	1/50	0.80	1/1550	118	1.50"×5/16"							BB-100, 013019
M3-R2603	R7-RB30	1/35	1.15	1/1550	268	2.20"×1/2"	92-A8606	66-A610220	6 1/16"	2 5/32"	1/2"	CW	DK260, DB200, 75003, 013041, 013040, 4143
M3-R2604	-	1/10	2.87	1/1550	300	2.00"×1/2"							DB300, 013062, 013042
M4-R2605	-	1/12	3.00	1/1050	450	1.60"×1/2"							QBD300

3.3" Refrigeration Motors



120 Volt

Product ID	HP	RPM	Amps	Rot	Type	Encl.	Body	Shaft	Bearing	Cross Ref
R3-R326	1/110	1/1550	0.40	CW	SP	Open	2.09"	1.4"×1/4"	Sleeve	Blanchard, Bohn
O6-R230	1/70	1/2800	0.64	CCW	SP	Open	2.30"	1.3"×1/4"	Sleeve	Coldstream
R3-R205	1/35	1/1550	1.20	CW	SP	Open	2.50"	1.8"×1/4"	Sleeve	Keeprite
R3-R360	1/35	1/1550	1.00	CW	SP	Open	2.60"	1.6"×1/4"	Sleeve	Keeprite
R3-R370	1/20	1/1550	0.75	CW	PSC	Open	3.98"	2.7"×5/16"	Ball	Keeprite
US-R90574	1/20	1/1550	1.90	CW	SP	Open	2.75"	2.48"×5/16"	Sleeve	Larkin, Heatcraft
R3-R358	1/20	1/1550	2.00	CCW	SP	Open	3.35"	3.2"×5/16"	Sleeve	Blanchard, Bohn
R3-R1052	1/20	1/1550	2.00	CCW	SP	Open	3.10"	3.2"×5/16"	Ball	Keeprite, Blanchard
R3-R368	1/20	1/1550	1.7	CW	SP	Open	2.70"	2.7"×5/16"	Sleeve	Ref Plus
US-R90572	1/15	1/1550	1.80	CCW	SP	Open	3.00"	3.03"×5/16"	Sleeve	Bohn, Heatcraft
R3-R313	1/15	1/1550	2.20	CCW	SP	Open	3.60"	3.0"×5/16"	Ball	Krack 1055, Bohn, Blanchard, Torin 7627401

3.3" Refrigeration Motors



240 Volt

Product ID	HP	RPM	Amps	Rot	Type	Encl.	Body	Shaft	Bearing	Cross Ref
R3-R371	1/20	1550	0.38	CW	PSC	OPEN	3.98"	2.7"×5/16"	Ball	Keeprite
US-R90575	1/20	1550	0.89	CW	SP	OPEN	2.75"	2.48"×5/16"	Sleeve	Larkin, Heatcraft
R3-R369	1/20	1550	0.90	CW	SP	OPEN	2.70"	2.7"×5/16"	Sleeve	Ref Plus
R3-R1053	1/20	1550	1.00	CCW	SP	OPEN	3.10"	3.2"×5/16"	Ball	Keeprite, Blanchard
R3-R359	1/20	1550	1.00	CCW	SP	OPEN	3.35"	3.2"×5/16"	Sleeve	Keeprite, Blanchard
R3-R314	1/15	1550	1.30	CCW	SP	OPEN	3.60"	3.0"×5/16"	Sleeve	Krack, Torin, Bohn, Blanchard

115/230 Volt

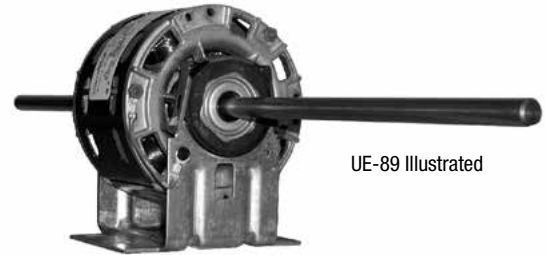
Product ID	HP	RPM	Amps	Rot	Type	Encl.	Body	Shaft	Bearing	Cross Ref
US-R91189	1/20	1550	1.6-0.8	CCW	SP	TE	3.15	1.65"×5/16"	Sleeve	Krack
US-R90721	1/12	1550	1.1-0.6	REV	PSC	OPEN	3.59	3.15"×5/16"	Ball	Bohn, Heatcraft, Larkin
US-R90671	1/15	1550	2.1-1.1	CW	SP	OPEN	5.00	2.24"×5/16"	Ball	GE 11 frame replacement
US-R90672	1/15	1550	2.1-1.1	CCW	SP	OPEN	5.00	2.24"×5/16"	Ball	GE 11 frame replacement

A/C PTAC Double Shaft Motors

5.0" Diameter Incremental / PTAC Fan & Blower Motors



- 1/10 HP
- 42 Frame
- CCW Rotation
- Double Shaft
- Open Construction
- Sleeve Bearing
- Base Inc.



UE-89 Illustrated

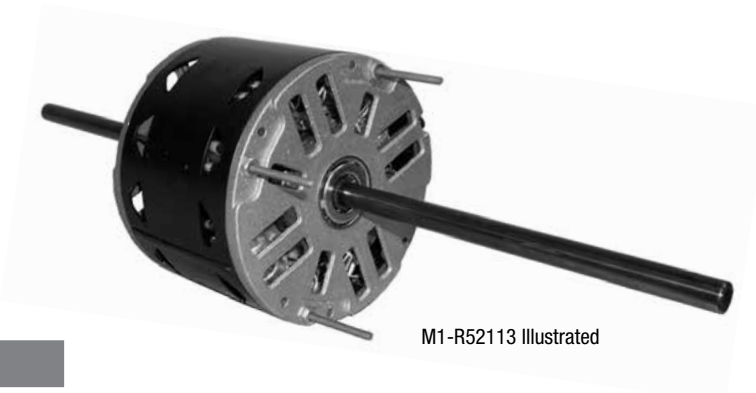
General Replacement For: Carrier, Chromalox, Trane, Dunham Bush

Product ID	RPM	Volts	Amps	Type	Shaft	Cross Reference
M4-R2634	5/1050	120	3.50	SP	10.2" x 1/2" x 10.2"	UE89, GE 2089, Fasco D289
UE-89	5/1050	120	3.50	SP	10.2" x 1/2" x 10.2"	GE 2089, Fasco D289
M4-R2693	5/1050	120	3.20	SP	8.0" x 3/8" x 8.0"	UE93, GE 2093, Fasco D293
M4-R2635	4/1050	208/230	1.60	SP	9.0" x 1/2" x 9.0"	UE320, GE 2907, Fasco D251
M4-R2362*	4/1075	120	1.70	PSC	9.8" x 1/2" x 9.8"	UE362, GE 2362, Fasco D291
M4-R2381*	4/1075	208/230	0.80	PSC	9.0" x 1/2" x 9.0"	UE381, Fasco D292

* - PSC - 5/370 Cap.

5.5" Diameter Air Conditioning Motors

- 48 Frame (5 5/8")
- 1075 RPM
- 3 Speed
- CCW
- PSC
- Open
- Sleeve Bearings
- Resilient Ring
- 1 1/2" thru Bolt Mount with Length Adaptor
- Fixed Lead End
- Thermal Protection
- Adjustable Base Inc.



M1-R52113 Illustrated

Replacement For:
Large Window and Through The Wall Air Conditioners

Product ID	HP	Volts	Amps	Cap	Shaft
M1-R52126	1/6	120	3.10	5/370	7.5" x 1/2" x 8.2"
M1-R52761	1/2	120	7.60	7.5/370	6.8" x 1/2" x 7.4"
M1-R52118	1/6	208/230	1.20	5/370	7.5" x 1/2" x 8.2"
M1-R52113	1/4	208/230	1.90	5/370	7.5" x 1/2" x 8.0"
M1-R53676*	1/4	208/230	1.90	5/370	7.5" x 1/2" x 8.0"
M1-R52102	1/3	208/230	2.60	5/370	7.8" x 1/2" x 8.3"
M1-R53686*	1/3	208/230	1.90	5/370	7.8" x 1/2" x 8.3"
M1-R52107	1/2	208/230	3.40	7.5/370	7.7" x 1/2" x 6.2"

* No Adapter Kit Base

TruckStock™ 3.3" Motors

3.3" PSC General Replacement Refrigeration Motor



Features

- High Efficiency PSC
- Dual Voltage
- Ball Bearing
- Reversing Plug
- Will Replace Dozens of 1/12, 1/15, & 1/20 HP PSC and Shaded Pole Motors
- Mounting Studs Front & Rear (nuts included)



Product ID	Amps	SPD/RPM	Volts	HP	Rot	Shaft	Body	Feature
US-R90721	1.1/0.6	1/1550	115/ 208/230	1/12	REV	3.15"×5/16"	3.59"	PSC/Cap Inc.

Cross Reference

Product ID	Emerson	A.O.Smith	Fasco	GE	Heatcraft	Larkin
US-R90721	9650, 9651, 9652, 9653, 9656, 9664	9721 9702A	D1101, D1103, D1122, D1123, D1124, D1125, D1126, D1152, D1154, PD1125, D1127, 7163-2113, 7163-3371, 7190-0442, 7190-2084, 7190-2255, 7190-2285, 7190-2969	5KSM59ES2001 5KSM59JSK1435 5KSM59JS5036S 5KSM59LS2262AS	25308601 25309101 2531194 2531195	7071061

3.3" General Replacement Refrigeration Motors

Features

- Class B Insulation
- Open
- Single Shaft
- Shaded Pole
- Heavy Duty Ball Bearing
- Thermally Protected
- Single Speed
- Four studs on each end with extra mounting nuts

Benefits

- One motor replaces 1/25, 1/30, 1/40 & 1/50 horse powers with one simple connection
- Replaces hundreds of the most popular 3.3" motors currently installed
- Great TruckStock™ motors are a must-have for any contractor who offers 24-hour emergency service.



Product ID	HP	Volts	Amps	RPM	Dia	Rot	Type	Body	Shaft
R3-R376	1/25 - 1/50	115	1.6 - 1.4	1550	3.3"	CCW	SP	2.75"	5/16" × 2.5"

Cross Reference

Rotom	Mars	Packard	Fasco	A.O. Smith
R3-R376	05528	40030	D184	3325CW
	05526	40514	D514	-
	05524	40126	D126	-

5.0" Diameter Motors

21/29 Frame Replacement Motors



These specially designed Rotom motors will replace hundreds of Universal, Fasco & G.E. 21/29 frame motors. This means reduced inventory, better turnover, competitive prices and increased profits.

Features

- Easy to install
- Triple voltage (115/208/230)
- All angle
- Sleeve bearing
- 3/8" shaft with 1/2" adapter included
- Complete with resilient base
- Longer shafts
- Automatic reset thermal overload protector
- 30" colour coded leads with grommet exit
- Mechanically reversible
- 1/10 HP rating replaces G.E. 1/20, 1/15, & 1/10 motors
- Strap, stud or base mount
- 2 1/4", 2 1/2 Resilient rings
- 2 5/8" Shaft height



Mounting Base & Shaft Adapter Included

Product ID	HP	Volts	Amps	RPM	Dia	Rot	Type	Body	Shaft	Comment
M4-R2930	1/10	115/208/230	4.0	1/1050	5.0"	CCW	SP	4.80"	2.3" x 3/8"	GE2121, 2122, 2223, 2321, 2322, RF6402
M4-R2940	1/10	115/208/230	4.0	1/1050	5.0"	CW	SP	4.80"	2.3" x 3/8"	GE2113, 2213, 2311, 2312, RF6403
M4-R2942	1/10	115/208/230	4.0	1/1550	5.0"	CCW	SP	4.80"	2.3" x 3/8"	GE2141, 2142, 2241, 2242, 2341, 2342, RF4400
M4-R2932	1/10	115/208/230	4.0	1/1550	5.0"	CW	SP	4.80"	2.3" x 3/8"	GE2131, 2132, 2231, 2232, 2331, 2332, RF4401

Used on many commercial condensing units such as Copeland, Tecumseh, Hussmann & Tyler as well as unit cooler fans and blowers, refrigeration cabinets, unit heaters, space heaters, remote air conditioners, blower units and other air moving applications.

TruckStock™ 5.0" Condenser Fan Replacement Motors



Included

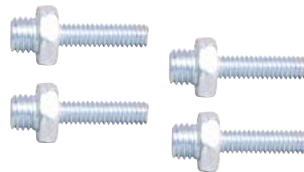
- Durable collar studs with 5/8" extension, 8-32 threads
- Extra mounting nuts with locking feature
- Easy-to-install plugs
- Mounting instructions with easy-to-read diagrams

Features

- North American Made
- Multi-Mounting System
- Single speed multi-horsepower replacement motor uses one simple connection
- Energy-efficient PSC design
- Easy-to-read connection diagram attached to white lead wire
- Water-resistant reversing plug
- Double sealed ball bearings for dependable long life
- Rubber shaft slinger keeps water and dirt out of motor
- Water-resistant rubber grommet at lead opening
- 60°C max ambient
- Class B insulation
- Lead length 36"
- 60 Hertz
- Totally enclosed
- Continuous duty, air over
- All-angle mount



Replaces motors with a 4.33, 4.42 and 4.62 inch mounting bolt circle

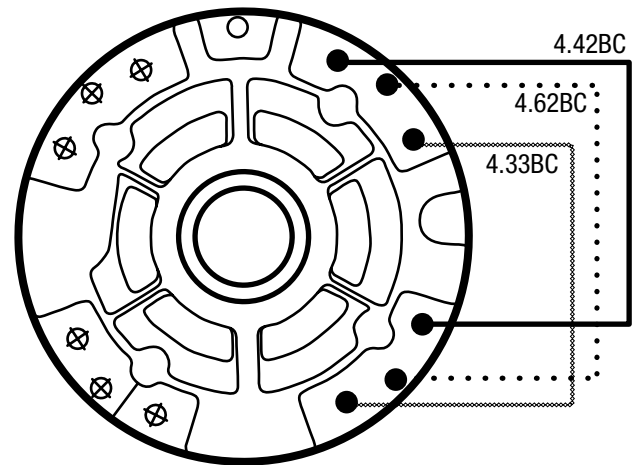


Mounting System Replaces:

4.42BC
AOS/Westinghouse Design
Emerson 42-Frame (5" dia.)

4.62BC
GE 42-Frame (5" dia.)
Fasco 42-Frame (5" dia.)
AOS/Universal Electric Design

4.33BC
Emerson Clam-Shell
GE Cap-Can



Product ID	HP	Volts	Amps	RPM	Dia	Rot	Type	Body	Shaft
M4-R2722	1/8, 1/10, 1/12	208/230	0.9	1/1075	5.0"	Rev	5/370	4.0"	1/2" x 3"
M4-R2723	1/4, 1/5, 1/6	208/230	2.0	1/1075	5.0"	Rev	7.5/370	4.5"	1/2" x 3"
M4-R2724	1/4, 1/5, 1/6	208/230	1.6	1/1625	5.0"	Rev	5/370	4.5"	1/2" x 3"

M4-R2722

HP	RPM	Amps
1/8	1075	0.9
1/10	1135	0.6
1/12	1155	0.5

M4-R2723

HP	RPM	Amps
1/4	1075	2.0
1/5	1145	1.2
1/6	1165	1.0

M4-R2724

HP	RPM	Amps
1/4	1625	1.6
1/5	1715	1.0
1/6	1759	0.7

* MultiFit™ is a trademark of A.O. Smith Corporation

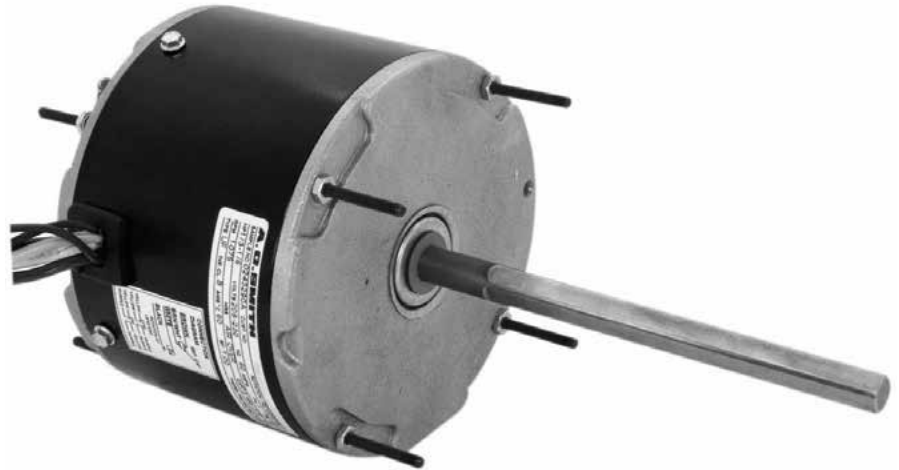
TruckStock™ 5.5" Condenser Fan Replacement Motors



Features

- North American Made
- Multi-application Condenser Fans
- Available in sleeve bearing or ball bearing
- Short 4" body
- Rheem mounting holes and screws supplied
- All Angle Mounting
- Class B or F insulation
- Energy Efficient PSC Design
- Removable Drain Plugs
- Reversible
- 60° or 70°C Ambient

**Shaft Up, Down
or Horizontal**



Replacement For: Rheem

Emerson	1/6 Hp, 51-20668-11
K55HXTDD-8385	1/5 Hp, 51-23055-11
Catalog No. 5458	1/4 Hp, 51-23054-11
Consolidator II	1/3 Hp, 51-23053-11

60°C Ambient - Class B Insulation

Product ID	HP	Volt	Amps	Capacitor	RPM	Rot.	Encl.	Mount	Body	Bearing	Shaft
M2-R22403	1/3-1/8	208-230	2.1	7.5/370V	825	Rev	T.E.	Belly Band, ThruBolts or Shell Holes	4.875"	Sleeve	6.7" x 1/2"
M2-R22404	1/3-1/6	208-230	2.1	7.5/370V	825	Rev	T.E.		4.875"	Ball	6.7" x 1/2"
M2-R22401	1/3-1/6	208-230	2.0	7.5/370V	1075	Rev	T.E.		4.125"	Sleeve	6.7" x 1/2"
M2-R22402	1/3-1/6	208-230	2.0	7.5/370V	1075	Rev	T.E.		4.125"	Ball	6.7" x 1/2"

70°C Ambient - Class F Insulation

Product ID	HP	Volt	Amps	Capacitor	RPM	Rot.	Encl.	Mount	Body	Bearing	Shaft
M2-R22405	1/8-1/15	208-230	1.0	5/370V	825	Rev	T.E.	Belly Band, ThruBolts or Shell Holes	4.50"	Sleeve	6.5" x 1/2"
M2-R22408	1/8-1/15	208-230	0.8	5/370V	825	Rev	T.E.		4.50"	Ball	6.5" x 1/2"
M2-R22418	1/8-1/15	208-230	0.8	5/370V	1075	Rev	T.E.		4.00"	Sleeve	6.5" x 1/2"
M2-R22420	1/8-1/15	208-230	0.8	5/370V	1075	Rev	T.E.		4.00"	Ball	6.5" x 1/2"
M2-R22410	1/3-1/8	208-230	2.1	7.5/370V	825	Rev	T.E.		4.875"	Sleeve	6.5" x 1/2"
M2-R22412	1/3-1/8	208-230	2.1	7.5/370V	825	Rev	T.E.		4.875"	Ball	6.5" x 1/2"
M2-R22415	1/3-1/8	460	2.1	7.5/370V	825	Rev	T.E.		5.125"	Ball	6.5" x 1/2"
M2-R22422	1/3-1/6	208-230	2.0	7.5/370	1075	Rev	T.E.		4.125"	Sleeve	6.5" x 1/2"
M2-R22425	1/3-1/6	208-230	2.0	7.5/370	1075	Rev	T.E.		4.125"	Ball	6.5" x 1/2"
M2-R22428	1/3-1/6	460	1.2	7.5/370	1075	Rev	T.E.		4.875"	Ball	6.5" x 1/2"
M2-R22430	1/2-1/5	208-230	2.5	10/370	825	Rev	T.E.		5.61"	Ball	6.5" x 1/2"
M2-R22435	1/2-1/5	208-230	3.6	10/370	1075	Rev	T.E.		5.36"	Ball	6.5" x 1/2"
M2-R22438	1/2-1/5	460	1.5	10/370	1075	Rev	T.E.		5.61"	Ball	6.5" x 1/2"

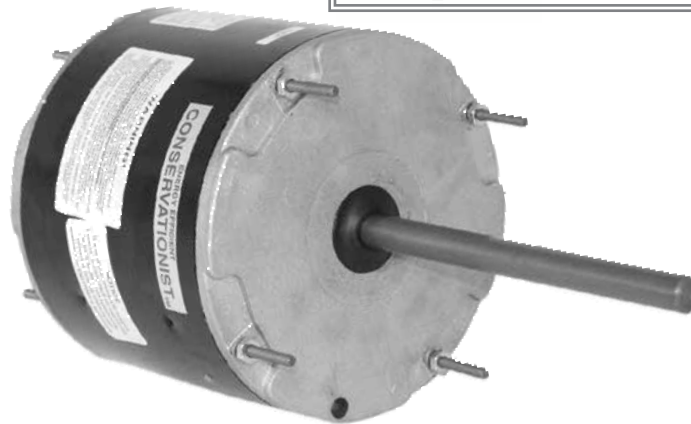
TruckStock™ Condenser Fan Replacement Motors



Features

- Multi-Rating Cap Supplied
- North American Made
- Less Inventory Required!
- Versatile!
- Time Saver!
- Easy Installations!
- Energy Efficient
- Different Capacitor/Speed Combos
- Designed for 370V Cap
- Reversible Rotation
- Extended Thru Bolts
- Automatic Protector
- Class B Insulation
- Continuous Duty Air Over
- Mounts by Belly Band, Thru Bolts or Shell Holes
- Rheem Mounting Holes in Shell
- 60 Hz

**Totally Enclosed
Air Over - 60°C Ambient**



Product ID	HP	Spd.	RPM	Volt	Amps	Cap. (370V)		Bearing	Leads	Body	Shaft	
						208V	230V					
M2-R22601	1/3	High	825	208-230	1.9	10	mfd	7.5	Ball	36"	5.24"	1/2"×5"
	1/4				1.5							
	1/5	Low			1.2							
	1/6				1.0							
M2-R22603	1/2	High	825	208-230	2.4	12.5	mfd	10	Ball	36"	5.61"	1/2"×6"
	1/3				1.7							
	1/4	Low			1.4							
	1/5				1.1							
M2-R22600	1/3	High	1075	208-230	2.8	7.5	mfd	5	Sleeve	36"	4.86"	1/2"×6"
	1/4				2.0							
	1/5	Low			1.7							
	1/6				1.5							
M2-R22605	1/3	High	1075	208-230	2.8	7.5	mfd	5	Ball	36"	4.86"	1/2"×6"
	1/4				2.0							
	1/5	Low			1.7							
	1/6				1.5							
M2-R22602	1/2	High	1075	208-230	3.9	12.5	mfd	10	Ball	36"	5.24"	1/2"×5"
	1/3				2.2							
	1/4	Low			1.6							
	1/5				1.3							

Cross Reference

Rotom	Emerson	Genteq	Fasco	Marathon	A.O. Smith
M2-R22601	5464, 5464H	3469, 3469HS	D2826	-	FE6001F
M2-R22603	-	-	-	-	FE6003F
M2-R22600					
M2-R22605	5462, 5462H	3465, 3465HS	D2827	X072	FE6000F
M2-R22602	5465, 5465H	3468, 3468HS	-	X076	FE6002F

5.5" Condenser Fan Motors



Features

- 48Y Frame
- 5.5" Diameter
- Totally Enclosed - All Angle
- Mounting: Stud & Strap
- 60 Hz
- Rain Shields
- Reversible
- Permanent Split Capacitor (P.S.C.)
- 25.6" Coloured Electrical Leads
- 60°C Ambient (where noted)
- Insulation Class B
- Thermally Protected



**24 Month
Warranty**

T.E. - All Angle!

CF-812/816

Applications

Residential & commercial outdoor air conditioning condensers & refrigeration condensers.

Condenser Fan

Product ID	HP	Voltage	Amps	Cap.	RPM	Rotation	A Dim.	Bearing	Shaft
CF-3726*	1/6	208/230	1.3	5/370	1/1075	Revers.	4.25"	Ball	5.5" x 1/2"
CF-816	1/6	208/230	1.1	5/370	1/825	Revers.	4.25"	Ball	6.0" x 1/2"
CF-3732*	1/4	208/230	2.2	5/370	1/1075	Revers.	4.25"	Ball	5.5" x 1/2"
CF-814	1/4	208/230	1.5	5/370	1/825	Revers.	5.00"	Ball	6.5" x 1/2"
CF-3733	1/3	208/230	2.8	7.5/370	1/1075	Revers.	4.50"	Ball	6.0" x 1/2"
CF-813	1/3	208/230	1.9	7.5/370	1/825	Revers.	5.00"	Ball	6.5" x 1/2"
CF-3734	1/2	208/230	4.2	10/370	1/1075	Revers.	5.50"	Ball	6.5" x 1/2"
CF-3735	3/4	208/230	4.5	10/370	1/1075	Revers.	5.75"	Ball	5.5" x 1/2"

Capacitor Not Included
*60°C Ambient

Cross Reference

Rotom	HP	Bearing	AO Smith	Diversitech	Emerson	Fasco	Embraco	GE	Marathon	Packard	UE	Rotom
CF-3726	1/6	Sleeve	FSE1016S, SV1	WG840727	1859	D917		3727	X411		184	R31700
	1/6	Ball	FE1016S						X427			
CF-816	1/6	Ball	EM3403							60825		
CF-3732	1/4	Sleeve	FSE1026S, SV1	WG840728	1860	D909	E221	3728	X412		176	R31702
	1/4	Ball	FE1026S, SB		1876	D7909		3732	X428			
CF-814	1/4	Sleeve	FSE1028S		1874	D934, D797			X450		474, 739	R22445
	1/4	Ball	FE1028S, F1028			D792		3040	X097			
CF-3733	1/3	Sleeve	FSE1036S, SV1	WG840729	1861	D908	E222	3729	X413		175	R31703
	1/3	Ball	FE1036S, SB		1877	D7908		3733				
CF-813	1/3	Sleeve	FSE1038S		1875	D936, D796			X451		475, 740	R22345
	1/3	Ball	FE1038S, F1038			D791		3026	X086		476	
CF-3734	1/2	Sleeve	FSE1056S, SV1	WG840730	1862	D907	E223	3730	X414		187	R31705
	1/2	Ball	FE1056S, SB		1878	D7907		3734			5578	
CF-3735	3/4	Sleeve	FSE1076S, SV1		1868			3731	X095		779	R31706
	3/4	Ball	FE1076S		1879	D931		3735			668	

5.5" Condenser Fan Motors

5.5" Dia. Totally Enclosed Condenser Fan Motors

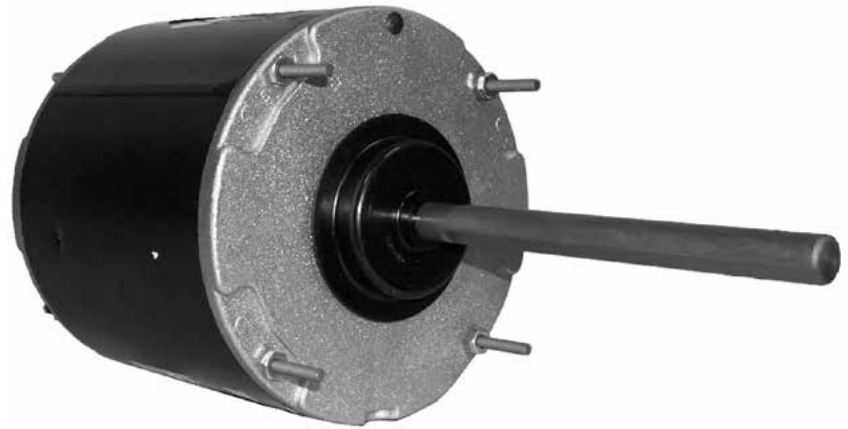


- 60°C Ambient • High Efficiency PSC • 48 Frame • All Angle
- Reversing Plug • 6.0" × 1/2" Shaft • 1 1/2" Extended Thru Bolts Both Ends

Direct Replacement For:

- Armstrong
- Carrier
- Climate Master
- Comfortaire
- Frigidaire
- Goodman
- ICP
- Lennox
- Miller
- Olsen
- Rheem Ruud
- York
- Trane

High Ambient & Energy Efficient



Totally Enclosed All Angle

460 Volt - Single Phase

Product ID	H.P.	RPM	Amps	Bearing	Cap
M2-R31710	1/4	1075	0.80	Ball	7.5/370
M2-R31712	1/3	1075	0.90	Ball	7.5/370
M2-R31718	1/2	1050	1.40	Ball	10/370
M2-R31716	3/4	1075	2.70	Ball	10/370

575 Volt - Single Phase

Product ID	H.P.	RPM	Amps	Bearing	Cap
R6-R42604	1/3	1100	0.80	Ball	7.5/440
R6-R42605	1/2	1625	1.00	Ball	7.5/440
R6-R42606		1100	1.10	Ball	7.5/370
R6-R42607	3/4	1075	1.60	Ball	15/370

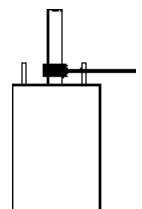
Anti Windmill Brake

Helps Eliminate Motor Burnout

Product ID	Description
92-AW12	For 1/2" Shaft
92-AW58	For 5/8" Shaft



STOPS
ROOFTOP CONDENSER MOTORS REVERSING
WHEN IDLE



TruckStock™ 5.5" Condenser Fan and Direct Drive Motors



Features

- Economical TruckStock Option!
- Less Inventory Required!
- Versatile!
- Time Saver!
- Easy Installations!
- Energy Efficient
- Different Capacitor/Speed Combos
- Designed for 370V Cap
- Reversible Rotation
- Extended Thru Bolts
- Automatic Protector
- Class B Insulation
- Continuous Duty-Over Air
- Mounts by Belly Band, Thru Bolts or Shell Holes
- Rheem Mounting Holes in Shell
- 60 Hz



Condenser Fan

Product ID	HP	Spd.	RPM	Volt	Amps	Cap	Bearing	Leads	Body	Shaft
M2-R23469	1/3-1/5	Two	825	208-230	1.9-1.2	10/370 or 7.5/370	Ball	26"	5.24"	1/2"×6"
M2-R23465	1/3-1/5	Two	1075	208-230	2.8-1.7	7.5/370 or 5/370	Ball	26"	4.86"	1/2"×6"
M2-R23468	1/2-1/4	Two	1075	208-230	3.9-1.6	12.5/370 or 10/370	Ball	26"	5.24"	1/2"×6"

Cross Reference

Rotom	Diversitech	Smart	A.O. Smith
M2-R23469	WG840469	SE3469	EM3469
M2-R23465	WG840465	SE3465	EM3465
M2-R23468	WG840468	SE3468	EM3468

Direct Drive

Product ID	HP	Spd.	RPM	Volt	Amps	Cap	Bearing	Leads	Body	Shaft
R6-R43463	1/2-1/6	Four	1075	115	7.0	10/370, 7.5/370, 5/370	Sleeve	38"	4.86"	1/2"×5"
R6-R43464	1/2-1/6	Four	1075	208-230	3.9	10/370, 7.5/370, 5/370	Sleeve	38"	4.86"	1/2"×5"
R6-R43466	3/4-1/5	Four	1075	115	9.1	10/370, 7.5/370, 5/370	Sleeve	38"	4.86"	1/2"×5"
R6-R43467	3/4-1/5	Four	1075	208-230	3.9	10/370, 7.5/370, 5/370	Sleeve	38"	4.86"	1/2"×5"

Cross Reference

Rotom	AO Smith	Emerson	Genteq	Fasco	Marathon	Diversitech	Smart	Carrier	Carrier	York
R6-R43463	EM3463	5460	3463	D2835	X077	WG840463	SE3463	P257-E5460	T257-3463	S1-FHM3463
R6-R43464	EM3464	5461	3464	D833	X073	WG840464	SE3464	P257-E5461	T257-3464	S1-FHM3464
R6-R43466	EM3466	5470	3466	D2834	X074	WG840466	SE3466	P257-E5470	T257-3466	S1-FHM3466
R6-R43467	EM3467	5471	3467	D2833	X075	WG840467	SE3467	P257-E5471	T257-3467	S1-FHM3467

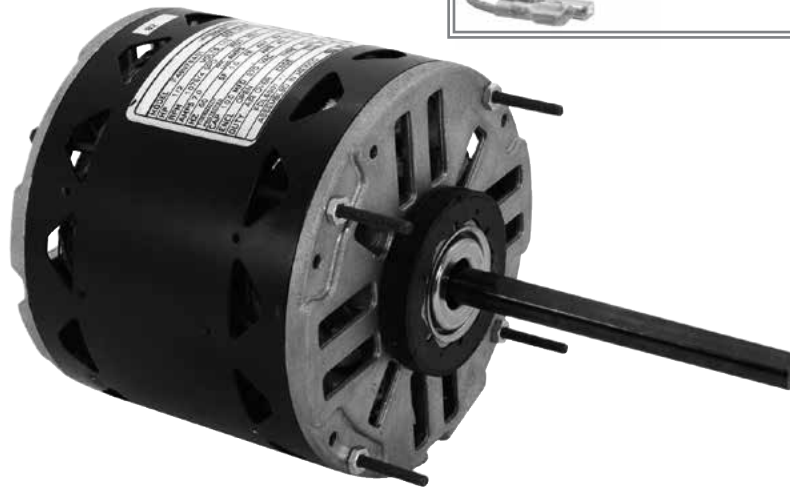
TruckStock™ Direct Drive Motors

TruckStock™
PREMIUM

Features

- Multi-Rating Cap Supplied
- North American Made
- Less Inventory Required!
- Versatile!
- Time Saver!
- Easy Installations!
- Energy Efficient
- Different Capacitor/Speed Combos
- Designed for 370V Cap
- Reversible Rotation
- Resilient Rings
- Extended Thru Bolts
- Automatic Protector
- Class B Insulation
- 48 Frame
- Continuous Duty Air Over
- Belly Band, Thru Bolts or Shell Holes
- Rheem Mounting Holes in Shell
- 60 Hz

**Open Drip Proof
40°C Ambient**



**Supplied Free In
Every Box**

All-Purpose Capacitor

- Multi-Rating Capacitor
- 5, 7.5, 10, 12.5 & 15 MFD

Product ID	HP	Spd.	RPM	Volt	Amps	Capacitor (370V)	Bearing	Leads	Body	Shaft
R6-R43600	1/2	All	1075	115	7.0	10 mfd	Sleeve	26"	4.86"	1/2"×5"
	1/3	All			6.7					
	1/4	Lo, Med-Lo, Med-Hi			4.4	5 mfd 7.5*				
	1/5	Low, Med-Lo			3.2					
	1/6	Lo			2.4					
R6-R43601	1/2	All	1075	208-230	3.9	10 mfd	Sleeve	26"	4.86"	1/2"×5"
	1/3	All			3.6					
	1/4	Lo, Med-Lo, Med-Hi			2.5	5 mfd 7.5*				
	1/5	Lo, Med-Lo			1.8					
	1/6	Lo			1.3					
R6-R43602	3/4	All	1075	115	9.1	10 mfd	Ball	38"	4.86"	1/2"×5 1/2"
	1/2	All			6.8					
	1/3	All			5.5	5 mfd 7.5*				
	1/4	Lo, Med-Lo, Med-Hi			3.0					
	1/5	Lo, Med-Lo			2.3					
R6-R43603	3/4	All	1075	208-230	3.9	10 mfd	Ball	38"	4.86"	1/2"×5 1/2"
	1/2	All			3.6					
	1/3	All			3.0	5 mfd 7.5*				
	1/4	Lo, Med-Lo, Med-Hi			2.3					
	1/5	Lo, Med-Lo			2.0					

* Motor is approximately 10% stronger and has higher starting torque for 1/6, 1/5, 1/4 and 1/3 HP rating with the 7.5 mfd 370VAC capacitor.

Cross Reference

Rotom	Emerson	Genteq	Protech	Fasco	Marathon	A.O. Smith
R6-R43600	5460	3463	51-23012-41	D2835	X077	FDL6001A
R6-R43601	5461	3464	51-23022-41	D833	X073	FD6000A
R6-R43602	5470	3466	-	D2834	X074	FDL6002A
R6-R43603	5471	3467	-	D2833	X075	FD6001A

5.5" Direct Drive Motors




Features

- 48Y Frame
- 5.5" Diameter
- Open Enclosure
- Mounting: Stud, Strap & Base (Resilient Rings)
- 60 Hz
- Sleeve Bearing
- Shaft: 4.0" x 1/2"
- Reversible
- Permanent Split Capacitor (P.S.C.)
- 40°C Ambient
- Insulation Class B
- Thermally Protected


40°C Ambient

24 Month
Warranty






92-A8617
Torsion Flex Bracket
5.0" & 5.5" Dia.
9" & 10" Bolt Circles



92-A8550 - 5" Diameter
92-A8555 - 5.5" Diameter
9" & 10" Bolt Circles



92-A855
7 5.5" Diameter for
1/2 HP and above
10" Bolt Circle HEAVY DUTY

115 & 208/230 Volt, 3 Speed, 1075 RPM, Reversible Rotation

Product ID	HP	Volts	Amps	Cap.	SPD/RPM	Rotation	Body	Bearing	Shaft
DD-3583	1/4	115	4.8	5/370	3/1075	Revers.	4.22"	Sleeve	1/2"x4.0"
DD-3584	1/4	208/230	2.0	5/370	3/1075	Revers.	4.22"	Sleeve	1/2"x4.0"
DD-3585	1/3	115	5.5	7.5/370	3/1075	Revers.	4.37"	Sleeve	1/2"x4.0"
DD-3586	1/3	208/230	2.8	5/370	3/1075	Revers.	4.48"	Sleeve	1/2"x4.0"
DD-3587	1/2	115	7.5	10/370	3/1075	Revers.	5.25"	Sleeve	1/2"x4.0"
DD-3588	1/2	208/230	3.6	10/370	3/1075	Revers.	5.23"	Sleeve	1/2"x4.0"
DD-3589	3/4	115	10.2	15/370	3/1075	Revers.	5.48"	Sleeve	1/2"x4.0"
DD-3590	3/4	208/230	5.4	10/370	3/1075	Revers.	5.48"	Sleeve	1/2"x4.0"

Capacitor Not Included

Cross Reference

Rotom	AO Smith	AO Smith	Emerson	Genteq	Fasco	Marathon	Packard	Diversitech	Smart	Carrier	Carrier	York	UE	Rotom
DD-3583	EM3583	DL1026	1863	3583	D721	X000	43583	WG840583	SE3583	P257-8583	P257-3583	S1-FHM3583	533	R43583
DD-3584	EM3584	D1026	1971	3584	D725	X001	43584	WG840584	SE3584	P257-8584	P257-3584	S1-FHM3584	530	R43584
DD-3585	EM3585	DL1036	1864	3585	D727	X002	43585	WG840585	SE3585	P257-8585	P257-3585	S1-FHM3585	532	R43585
DD-3586	EM3586	D1036	1972	3586	D923	X003	43586	WG840586	SE3586	P257-8586	P257-3586	S1-FHM3586	529	R43586
DD-3587	EM3587	DL1056	1865	3587	D701	X004	43587	WG840587	SE3587	P257-8587	P257-3587	S1-FHM3587	531	R43587
DD-3588	EM3588	D1056	1973	3588	D703	X005	43588	WG840588	SE3588	P257-8588	P257-3588	S1-FHM3588	528	R43588
DD-3589	EM3589	DL1076	8904	3589	D728	X009	43589	WG840589	SE3589	P257-8589	P257-3589	S1-FHM3589	678	R43589
DD-3590	EM3590	D1076	8905	3590	D729	X010	43590	WG840590	SE3590	P257-8590	P257-3590	S1-FHM3590	679	R43590

5.5" Direct Drive Motors



Features

- 48Y Frame
- 5.5" Diameter
- Open Enclosure
- Mounting: Flex
- 60 Hz
- Sleeve Bearing
(except DD-035 & DD-036 are Ball Bearing)
- Shaft: 1/2" x 6"
- Reversible
- Permanent Split Capacitor (P.S.C.)
- 60" Coloured Electrical Leads
- 45°C (113°F) Ambient
- Insulation Class B
- Thermally Protected

**9" & 10"
Bolt Circle**

**24 Month
Warranty**



DD-035
Illustrated

115 & 208/230 Volts, 4 Speed, 1075 RPM, Reversible Rotation

Product ID	HP	Volts	Amps	Cap.	A Dim.	Bearing	Shaft
DD-034	1/4	115	3.6	5/370	3.40"	Sleeve	1/2" x 6"
DD-044		208/230	1.7	5/370	3.40"	Sleeve	1/2" x 6"
DD-035	1/3	115	5.0	10/370	4.30"	Ball	1/2" x 6"
DD-045		208/230	2.3	10/370	4.30"	Sleeve	1/2" x 6"
DD-036	1/2	115	7.6	10/370	4.85"	Ball	1/2" x 6"
DD-046		208/230	3.8	10/370	4.85"	Sleeve	1/2" x 6"

Capacitor Not Included

Cross Reference

Rotom	AO Smith	Fasco	GE	Marathon	UE	Rotom
DD-034	FML1026	D1730	3783	X034	752	R42034, R42419
DD-044	-	D1733	3784	-	-	R42449
DD-035	FML1036	D1731	3785	X035	753, 947	R42035, R42319
DD-045	FML1036	D1734	3786	-	-	R42349
DD-036	FML1056	D1732	3787	X036	754	R42036, R 42219
DD-046	FM1056	D1735	3788	-	-	R42249

5.5" Direct Drive Motors

EC Direct Drive Blower Motors



Features

- High Efficiency
- Replaces either PSC or X13 model of equivalent HP
- Dual Voltage Design: Replace 115 or 230V with one motor
- Rotation Sensing Technology - Automatically selects rotation upon first start up
- Replaces 100s of different motors
- 45" wiring harness



Product ID	H.P.	Volts	RPM	Amps	Hertz	Shaft Dimension (in.)	Length Less Shaft (in.)	Motor Type	Cord Length
46013	1/3	115/230	1075	5.0/3.0	60/50	1/2 x 5	6 3/8	ECM	45"
46012	1/2	115/230	1075	6.7/4.0	60/50	1/2 x 5	6 3/8	ECM	45"
46034	3/4	115/230	1075	8.2/4.9	60/50	1/2 x 5	7 5/8	ECM	45"
46001	1	115/230	1075	11.0/6.7	60/50	1/2 x 5	7 5/8	ECM	45"

Accessories In the Box

- Harness – *same harness for all applications*
- Voltage Plugs
 - One for 115vac (wht) | One for 230vac (ylw)
- Optional jumper wires and extra terminals
- Optional Y-adaptor
- Installation manua



Fan Coil Motors

ECM Fan Coil Motors



Features

- Drop-in replacement • Brushless DC • 3 Speeds • 5 1/8" Diameter • 54" lead length
- ECM with internal control • Long life ball bearings • Rotors are isolated from shaft to reduce motor vibration • Saves an average of 69% on energy usage • Runs cooler

Product ID	HP	Volts	Rot	Amps	RPM Range	Shaft	Frame
M4-R2189	1/10	120	CWLE	1.6	3/1100,900,700	9.3" x 1/2" x 9.3"	5.0"



PSC Fan Coil Motors

Features

- Type: PSC • Double Shaft • Volts: 115/60 Hz • Enclosure: Open end-bells • Thermally Protected
- Capacitor Included • Ball Bearing • Insulation Class B • Protection Class IP20 • Base Mount Included

Product ID	HP	Volts	Amps	Spd/RPM	Dia	Rot	Type	Cap	Shaft
EC-FC-1893	1/15	115	0.96	6/1550	4.8"	CW	PSC	6.3/450	1/2" x 7.26"
EC-FC-1895	1/4	115	3.80	6/1550	4.8"	CW	PSC	18/450	1/2" x 7.26"



Tempspec Replacement Fan Coil Motors

9" or 10" Bolt Circle

Product ID	HP	Volts	Amps	Type	Cap.	RPM	Rot.	Body	Frame	Bearing	Shaft	Cross
M4-R799	1/8	115	3.00	PSC	5/370	5/1000	CCW	3.87"	5.0"	Ball	5.0" x 1/2"	L350,L450,L600, UE DA3E200, DA3F100, DA3G142



Fan Coil Motors

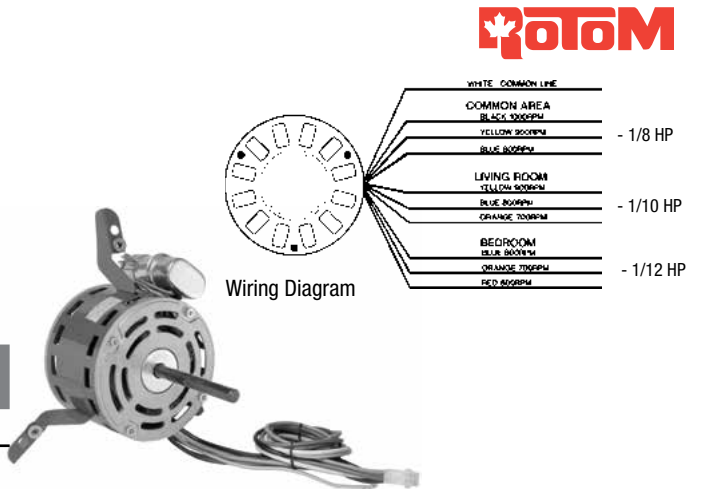
Direct Replacement For:

- Climetec
- Snyder-General
- Temspec
- Unilux

Heating & Air Conditioning • High Rise Apartment • Condominium • Hotel
 ONE MOTOR DOES ALL THREE! Bedroom, Living Room, Common Area.

DD-030 Replaces: 5KCP39DGV279S

Product ID	HP	Amps	Cap.	RPM	Body	Frame	Shaft
DD-030	1/6	2.6	Inc.	5/950	3.98"	48	1/2"×4.5"



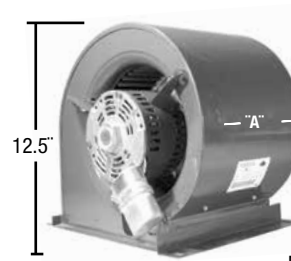
Fan Coil Blowers

Heating & Air Conditioning • High Rise Apartment • Condominium • Hotel

Product ID	CFM	"A" Dim.
66-RFC300	300	6.75"
66-RFC400	400	8.25"
66-RFC600	600	9.00"

Applications

- Heating & Air Conditioning
- High Rise Apartment
- Condominium
- Hotel

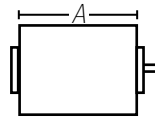


Motors Sold Separately

Belted Fan Motors

Features

- 48 Frame
- 5.5" Diameter
- Open Drip Proof
- Resilient Ring & Base Included
- 60 Hz
- Sleeve Bearing
- Shaft: 1/2" × 1.5" W/ Flat
- Reversible
- Split Phase
- 45°C (113°F) Ambient
- Insulation Class B
- Thermally Protected



Product ID	HP	Volts	Amps	S.F.	RPM	Rot.	A Dim.	Bearing	Shaft
BF-4701	1/4	115	5.0	1.35	1/1725	Rev	6.25"	Sleeve	1/2"×1.5"
BF-4706	1/3	115	6.8	1.35	1/1725	Rev	6.25"	Sleeve	1/2"×1.5"
BF-4708	1/2	115	8.0	1.25	1/1725	Rev	6.75"	Sleeve	1/2"×1.5"



BF-4701 Illustrated

Cross Reference

Rotom	AO Smith	Emerson	Fasco	GE	Marathon	UE	Rotom
BF-4701	GF2024	840CV	D6002	4701, H701	D127, B206, B303	-	R840
BF-4706	GF2034	841CV	-	4706, H711	D143, B207	-	R841
BF-4708	GF2054	1542C	-	4708	D162, B208	-	R1542

Condenser Fan Motors

5.5" Diameter Fan Canopy Motors



Replacement For:

Addison, Bohn, Comfortaire, Carrier, Keeprite, York

- Reversible
- 48 Frame
- Auto Protection
- Shaft 4 5/8" x 1/2"
- High Thrust Capacity
- Heavy Duty
- 60°C or 70°C Ambient
- Ball Bearing

Three Phase

Product ID	HP	RPM	Volts	Amps 230	Amps 460	Amps 575	AMB	Shaft	Cap
M5-T1532	1/2	1/1140	200/230/460	3.00	1.50		70°C	3.5" x 1/2"	-
M5-T1534	3/4	1/1140	200/230/460	4.00	2.00		70°C	4.0" x 5/8"	-
M5-T1536		1/1140	575			1.50	60°C	4.0" x 5/8"	-
M5-T1538*	1	1/1140	200/230/460	5.60	2.80		70°C	4.0" x 5/8"	-
M5-T1539		1/1140	575			1.30	40°C	4.0" x 5/8"	-
M5-T1542*	1 1/2	1/1120	200/230/460	5.80	2.90		70°C	4.0" x 5/8"	-

* - Includes 92-A4856

Fan Canopy Condenser Fan - Replacements For: Carrier

5.5" Diameter • Single Phase • Lug Mounting • Semi Enclosed • Reversible

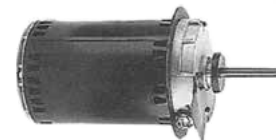
Ball Bearing • Auto Protection • 60°C Ambient • 2.5" x 1/2" Shaft

Product ID	HP	RPM	Volts	Amps	Cross Ref
M5-S1507A	1/2	1/1075	200/230/460	4.6/2.3	HC43VL460/600
M5-S1506A	1/2	1/1075	575	1.80	HC43VE575



Three Phase • P56Z Frame • 208-230/460 & 575 Volt • 5/8" x 3 1/2" Shaft

Product ID	HP	RPM	Volts	Amps	Cross Ref
UE-H978	SPL	1140	200/230/460/575	5.5/2.8-3.4	HD52AK652



UE-H978
Illustrated

6.5" Condenser Fan Motors



Three Phase

- Auto Protector
- Class B Moisture-Resistant Insulation
- Double Sealed Ball Bearing
- Quick-Connect Design
- Service Factor 1.0
- 60°C Ambient
- 60 Hz



Product ID	HP	Voltage	Amps	Encl.	RPM	Rot.	A Dim.	Bearing	Shaft	Base	Comment
M5-T2537	1	460/200-230	2.0/4.4-4.0	Open OSE	1/850	Rev	9.36"	Ball	4.88" × 5/8" Keyed & Flat	92-A8281	Blanchard Ness, Hussmann, SPL
M5-T2539	1	575	1.6	Open OSE	1/850	Rev	10.25"	Ball	3.31" × 5/8" Keyed & Flat	-	Blanchard Ness, Hussmann, H962
M5-T2538	1	460/200-230	2.6/5.3-5.2	Open OSE	1/1140	Rev	10.81"	Ball	6.0" × 5/8" Keyed & Flat	92-A8283	Keeprite, York, Trane, Carrier, Lennox, H667
M5-T2540	1	575	2.0	Open OSE	1/1140	Rev	10.81"	Ball	6.0" × 5/8" Keyed & Flat	92-A8283	Keeprite, York, Trane, Carrier, Lennox, X522
M5-T2542	1 1/2	460/200-230	3.0/5.8-6.0	Open OSE	1/1140	Rev	10.81"	Ball	6.0" × 5/8" Keyed & Flat	92-A8282	Keeprite, York, Trane, Carrier, Lennox, H767
M5-T2543	1 1/2	575	2.3	Open OSE	1/1140	Rev	10.81"	Ball	6.0" × 5/8" Keyed & Flat	92-A8282	Keeprite, York, Trane, Carrier, Lennox, H963
M5-T2544	2	460/208-230	7.2	-	1/1140	Rev	11.1"	Ball	5.0" × 5/8" Keyed & Flat	-	Cancoil, X509
M5-T2545	2	460/208-230	3.1/6.8-6.2	Open OSE	1/1140	Rev	12.00"	Ball	3.63" × 5/8" Keyed & Flat	-	70°C Ambient
M5-T2536	2	575	2.7	-	1/1140	Rev	11.1"	Ball	5.0" × 5/8" Keyed & Flat	-	Cancoil, X526

OEM Replacement Motors



Nutech

Product ID	HP	Volts	Amps	Type	RPM	Rot.	Body	Frame	Bearing	Cap	Shaft	Cross
M4-R2324	1/12	115	1.40	PSC	1/1550	CCW	3.6"	5.0"	Ball	3/370	2.8"×3/8"×2.6"	Nubreath 23-204, GE5KCP298G8560BS, Fasco 7185-0242

Air 2000

Product ID	HP	Volts	Amps	Type	RPM	Rot.	Body	Dia	Bearing	Cap	Shaft	Comments
R3-R316	1/20	115	1.36	SP	1550	CCW	2.7"	3.3"	Ball	-	1.6"×1/4"	HRV Motor 80093

American Air Filter

Product ID	HP	Volts	Amps	Type	RPM	Rot.	Body	Dia	Bearing	Cap.	Shaft	Comments
M4-R2622	1/6-1/12	115	3.70	PSC	4/1550	CCW	4.0"	5.0"	Sleeve	5/370	8.13"×1/2"×8.13"	7184-0354

OEM Replacement Motors



Arkla

Product ID	HP	Volts	Amps	Type	RPM	Rot.	Body	Dia	Bearing	Cap	Shaft	Comments
R6-R32317	1/3	115	4.8	PSC	1/825	CCW	5.43"	5.5"	Ball	5/370	2.5"×1/2"	B14506-393, B14506-363, F48SR8V1, F48SP8V3, K8042, 2342, C729, 3M824, D795
M2-R32237	1/2	230	3.0	PSC	1/825	CCW	5.38"	5.5"	Ball	5/370	2.75"×1/2"	B14506-396, B14506-354, F48SR8V3, F48SR8V7, F48ST8V1, K8075

Armstrong

Product ID	HP	Volts	Amps	Type	RPM	Rot.	Body	Dia	Bearing	Cap	Shaft	Comments
M4-R2691	1/5	208/230	1.5	PSC	1/1075	CW	4.00"	5.0"	Sleeve	5/370	3.9"×1/2"	Magic Chef, 35035B001 Johnson Air Ease 322P859, CJK15,18,24,30,36, F42B59A01

Arneg

Product ID	Watts	Volts	Amps	Type	RPM	Rot.	Body	Dia	Bearing	Shaft	Comments
EC-4W115V835	4	115	0.40	SP	1/1550	CW	2.30"	-	Sleeve	Hubless	34410000
EC-9W115V834	9	115	0.58	SP	1/1550	CW	2.67"	-	Sleeve	Hubless	34410001
EC-HE-0147	12	115	0.18	ECM	1/1450	CW	3.61"	-	Ball	Hubless	34410013, 34410009, 24681010
EC-HE-0170	12	115	0.18	ECM	1/1450	CW	3.61"	-	Ball	Hubless	34410012 (for fan 34415010)

Blanchard-Ness (cont. next page)

Product ID	HP	Volts	Amps	Type	RPM	Rot.	Body	Frame	Bearing	Cap	Shaft	Comments
R3-R326	1/110	120	0.40	SP	1/1550	CW	2.09"	3.3"	Sleeve	-	1.4"×1/4"	Blower Coil Motors, E01001,2,3
T1-R1014	1/100	115	0.70	SP	1/3000	CW	0.875	Skel	Sleeve	-	1.25"×0.1811"	Bohn, Hussman Evap. Motor E1014, J238-087-8104
R3-R302	1/100	240	0.30	SP	1/1550	CW	1.94"	3.3"	Sleeve	-	1.3"×1/4"	Blower Coil Motors, E01004

OEM Replacement Motors



Blanchard-Ness (cont. from previous page)

Product ID	HP	Volts	Amps	Type	RPM	Rot.	Body	Frame	Bearing	Cap	Shaft	Comments
R3-R358	1/20	120	2.00	SP	1/1550	CCW	3.25"	3.3"	Sleeve	-	2.8"×5/16"	Blower Coil Motors, E01007,57,58
R3-R359	1/20	208/240	1.00	SP	1/1550	CCW	3.35"	3.3"	Sleeve	-	3.2"×5/16"	Blower Coil Motors, E01059
R3-R1052	1/20	120	2.00	SP	1/1550	CCW	3.10"	3.3"	Ball	-	3.2"×5/16"	Blower Coil Motors, E1052
R3-R1053	1/20	208/230	1.00	SP	1/1550	CCW	3.10"	3.3"	Ball	-	3.2"×5/16"	Blower Coil Motors, E1053
R3-R313	1/15	120	2.20	SP	1/1550	CCW	3.60"	3.3"	Ball	-	3.0"×5/16"	Blanchard 5034LS, 5008SS, U-572
R3-R314	1/15	208/230	1.30	SP	1/1550	CCW	3.60"	3.3"	Sleeve	-	3.0"×5/16"	Blanchard 5044MS, 5008TS, U-573
M2-R22746	1/3	208/230	2.60	PSC	1/1075	Rev	4.80"	5.5"	Sleeve	7.5/370	6" × 1/2"	E1022, E1025
M5-T2532	1/2	208/230/460	2.80	3 Ph	1/1140	Rev	10.3"	6.5"	Ball	-	6" × 5/8"	E01020, 1066
M5-T2537	1	208/230/460	4.4	3 Ph	1/850	Rev	9.36"	6.5"	Ball	-	4.88" × 5/8"	E05026
M5-T2539	1	575	1.60	3 Ph	1/850	Rev	10.25"	6.5"	Ball	-	3.31" × 5/8"	E05027
M5-T2544	2	208/230/460	7.20	3 Ph	1/1140	Rev	11.1"	6.5"	Ball	-	5" × 5/8"	E05033
M5-T2536	2	575	2.70	3 Ph	1/1140	CW	11.1"	6.5"	Ball	-	5" × 5/8"	E05034

Bohn (cont. next page)

Product ID	HP	Volts	Amps	Type	RPM	Rot.	Body	Dia	Bearing	Cap	Shaft	Comments
O6-R511	1/350	230	0.35	SP	1/1350	CW	1.7"	3.3"	Sleeve	-	2.0" × 1/4"	79105, 79115
R3-R326	1/110	120	0.40	SP	1/1550	CW	2.09"	3.3"	Sleeve	-	1.4" × 1/4"	79101
T1-R605	1/55	115	1.00	SP	1/2800	CW	0.90"	Skel	Sleeve	-	1.75" × 0.1811"	79103, 79104

OEM Replacement Motors



Bohn (cont. from previous page)

Product ID	HP	Volts	Amps	Type	RPM	Rot.	Body	Dia	Bearing	Cap	Shaft	Comments
R3-R130	1/45	230	0.80	SP	1/1550	CW	2.70"	3.3"	Sleeve	-	1.5" x 5/16"	79106, 79108, 79113, 5001M
R3-R358	1/20	115	2.00	SP	1/1550	CCW	3.25"	3.3"	Sleeve	-	2.8" x 5/16"	5001L, 8S, 4L
R3-R359	1/20	208/240	1.00	SP	1/1550	CCW	3.35"	3.3"	Sleeve	-	3.2" x 5/16"	5008T, 5034M
R3-R313	1/15	120	2.20	SP	1/1550	CCW	3.60"	3.3"	Ball	-	3.0" x 5/16"	5034LS, 5008SS, U-572
R3-R314	1/15	208/230	1.30	SP	1/1550	CCW	3.60"	3.3"	Sleeve	-	3.0" x 5/16"	5044MS, 5008TS, U-573
US-R90572	1/15	115	1.80	SP	1/1550	CCW	3.00"	3.3"	Sleeve	-	3.03" x 5/16"	5KSM59JSK143S, 5KSM59JS5036S, 5034LS, 5008SS
US-R90721	1/12	115/208/230	1.1/1.6	PSC	1/1550	Rev	3.59"	3.3"	Ball	4/370	3.15" x 5/16"	25308601, 25309101, 2531194, 2531195
M5-S1502	1/3	200/230/460	3.2/1.6	PSC	1/1075	Rev	7.30"	5.5"	Ball	5/440	3.5" x 1/2"	5015H
M5-S1504	1/2	200/230/460	4.00	PSC	1/1075	Rev	12.2"	5.5"	Ball	7.5/440	3.5" x 1/2"	5002P, 5003P
M5-T1532	1/2	200/230/460	1.50	3 Ph	1/1140	Rev	9.2"	5.5"	Ball	-	3.5" x 1/2"	5006T
M5-T2537	1	208/230/460	4.40	3 Ph	1/850	Rev	9.36"	6.5"	Ball	-	4.88" x 5/8"	E5028
M5-T2539	1	575	1.60	3 Ph	1/850	Rev	10.25"	6.5"	Ball	-	3.31" x 5/8"	E5027

OEM Replacement Motors



Carrier (cont. next page...)

Product ID	HP	Volts	Amps	Type	RPM	Rot.	Body Dia	Bearing Dia	Bearing	Cap	Shaft	Comments
UE-580	1/20	115	1.8	SP	1/3300	CCW	3.75"	3.3"	Sleeve	-	2.12" x 5/16"	JA1P053
UE-570	1/20	115/230	1.8/.92	SP	1/3000	CCW	6"	3.3"	Ball	-	2.5" x 1/4"	HC24AU600, HC24AU701
UE-9625	1/16	460	0.25	PSC	1/3450	CW	4.87"	3.3"	Ball	4/370	3.25" x 5/16"	HC30GB460, HC30GB462 JF1H101, JF1H091, D1184
UE-9626	1/16	208/230	0.48	PSC	1/3450	CW	4.87"	3.3"	Ball	4/370	3.25" x 5/16"	HC30GB230, HC30GB232 JF1H012, JF1H092, D1182
M2-R33401	1/12	208/230	0.53	PSC	1/1100	CW	3.62"	5.5"	Sleeve	5/370	2.18" x 1/2"	3401, HE39GE232
M2-R33402	1/10	208/230	0.7	PSC	1/1100	CW	3.5"	5.5"	Sleeve	5/370	2.18" x 1/2"	3402, HC39GE233
UE-513A	1/6, 1/8, 1/10	208/230	1.3	PSC	3/1040	CW	3.8"	5.5"	Sleeve	3/370	7" x 1/2" x 2.18"	124279, 128560
M2-R31014	1/6	208/230	0.9	PSC	1/1500	CCW	3.62"	5.5"	Sleeve	5/370	2.18" x 1/2"	OCA1014
M2-R35453	1/6	208/230	.80/.95	PSC	1/1075	CCW	3.62"	5.5"	Sleeve	3/370	3.62" x 1/2"	5453, K55JGH-2667
UE-9650	1/6	208/230	1.2	PSC	2/1075	CCW	3.62"	5.5"	Sleeve	4/370	3.18" x 1/2"	9650
M2-R22152	1/5-1/6	208/230	1.30	PSC	2/1050	Rev	3.40"	5.5"	Sleeve	5/440	4.0" x 1/2"	HC37VE230, 600
M4-R2981	1/5	115	9.8	SP	4/1050	CCW	4.0"	5.0"	Sleeve	-	4" x 1/2"	2981
M2-R33400	1/5	208/230	1, 1.1	PSC	1/825	CW	4.25"	5.5"	Sleeve	7.5/370	2.12" x 1/2"	3400, HC37GE208

OEM Replacement Motors



Carrier (cont. from previous page)

Product ID	HP	Volts	Amps	Type	RPM	Rot.	Body	Dia	Bearing	Cap	Shaft	Comments
M2-R22844	1/4	230	1.4	PSC	1/1625	CCW	3.87"	5.5"	Sleeve	4/370	4" x 1/2"	D844, 3064, 5KCP39BG7524S 5KCP39BGK007T
M2-R22000	1/4	230	2.1	PSC	1/1075	CCW	3.75"	5.5"	Sleeve	5/370	3.25" x 1/2"	F48SF6MA5, F48SJ6M5, 3158 F48SG6MA10
M2-R42440	1/4	208/230	2.2	PSC	2/1075	Rev	3.75"	5.5"	Sleeve	5/370	4.31" x 1/2"	F48SJ6MA, D843, 3303 F48SG6MA16
R6-R42540	1/4	208/230	2.1	PSC	1/1075	CCW	4.12"	5.5"	Sleeve	5/370	3.25" x 1/2"	OCT1026S
R6-R42526	1/4	230	1.6	PSC	2/1075	Rev	4.37"	5.5"	Sleeve	5/370	5.5" x 1/2"	K8009
R6-R43404	1/4	208/230	1.3,1.5	PSC	1/1100	CW	4.12"	5.5"	Sleeve	5/370	2.12" x 1/2"	3404
M2-R22012	1/3-1/4	208/230	2.50	PSC	2/1075	Rev	4.00"	5.5"	Sleeve	5/370	4.0" x 1/2"	HC41VE700, 701
M2-R22011	1/3	208/230	2.5	PSC	2/1075	Rev	4.62"	5.5"	Ball	5/370	4.24" x 1/2"	OCA1036
M2-R32036	1/3	208/230	2.5	PSC	2/1075	CCW	4.25"	5.5"	Sleeve	5/370	3.5" x 1/2"	OCF1036
M2-R22036	1/3	208/230	2.9	PSC	1/1075	CCW	4.25"	5.5"	Sleeve	5/370	3.5" x 1/2"	OCE1036
R6-R48008	1/3	230	1.8	PSC	2/1075	Rev	4.37"	5.5"	Sleeve	5/370	5.5" x 1/2"	K8008
R6-R42415	1/3	115	5.7	PSC	4/1050	CCW	5.37"	5.5"	Sleeve	Internal	4.62" x 1/2"	OCB4036SP
M2-R35301	1/3	208/230	2.8	PSC	2/1075	CW	4.0"	5.5"	Sleeve	5/370	3.37" x 1/2"	3123, D845, 5KCP39HGA206T, 5KCP39HG7611S, P251- 5301, PS2126-2
M1-R63116	1/2	115	7.5	PSC	4/1075	CCW	5.12"	5.5"	Sleeve	7.5/370	7.75" x 1/2" x 4.36"	HC43SZ116
M2-R22017	1/2	208/230	4.0	PSC	1/1075	CCW	7.37"	5.5"	Ball	7.5/370	4.37" x 1/2"	F48J6A1, F48J6A2, F48J6A5 P107, 3132, 5KCP37PG361S

OEM Replacement Motors



Carrier (cont. from previous page)

Product ID	HP	Volts	Amps	Type	RPM	Rot.	Body	Dia	Bearing	Cap	Shaft	Comments
M5-S1507A	1/2	208/230 460	4.6/2.3	PSC	1/1075	Rev	6.37"	5.5"	Ball	7.5/440	1.56" × 1/2"	OCA1056
M5-S1506A	1/2	575	1.8	PSC	1/1075	CCW	5.62"	5.5"	Ball	7.5/440	1.56" × 1/2"	50CA1056
M1-R52294	1/2	208/230	3.0	PSC	3/1075	CCW	5.0"	5.5"	Sleeve	7.5/370	2.75" × 1/2" × 7.5"	OCB1056
R6-R42652	3/4	208/230 460	2.5/ 1.25	3 PH	1/1725	Rev	10.0"	5.5"	Ball	-	1.93" × 5/8"	HD54KF652, HD46GA800
R6-R46230	3/4	208/230	3.8	3 PH	1/1140	Rev	8.75"	5.5"	Ball	-	3.0" × 1/2"	HD46GL230
R6-R46460	3/4	460	1.9	3 PH	1/1140	Rev	8.75"	5.5"	Ball	-	3.0" × 1/2"	HD46GK460
M2-R32050	3/4	575	1.65	PSC	3/1025	Rev	6.50"	5.5"	Ball	15/370	4.0" × 1/2"	Rooftop Evap. Motor
M2-R32051	3/4	460	2.15	PSC	3/1075	Rev	6.63"	5.5"	Ball	15/370	4.0" × 1/2"	ThermoPlus HC45AL460
R6-R46651	SPL	208/230 460	3.6/1.8	3 PH	1/1725	Rev	9.87"	6.5"	Ball	-	2.0" × 1/2"	HD56FK651, P56A01A02
UE-H978	SPL	208/230 460/575	5.5/2.8 3.4	3 PH	1/1140	Rev	11.37"	6.5"	Ball	-	3.6" × 5/8"	HD52AK652, MAG. 176055
M5-S1453	1	200/230 460	6.5	PSC	1/1075	CCW	10.20"	6.5"	Ball	30/370	3.6" × 5/8"	HC5ITE200/230/430
M5-S1455	1	575	2.10	PSC	1/1075	CCW	10.20"	6.5"	Ball	30/370	3.6" × 5/8"	HC5ITE575
UE-H980	3	208/230 460	10.6/ 4.8	3 Ph	1/1725	Rev	14.94"	6.5"	Ball	-	7/8" × 2 5/16"	HD60FK651, MAG. 176500
UE-H979	5	208/230 460	15/7.4	3 Ph	1/1725	Rev	15.93"	6.5"	Ball	-	7/8" × 2 5/16"	HD60FK652, MAG. 182779

OEM Replacement Motors



Chromalox

Product ID	HP	Volts	Amps	Type	RPM	Rot.	Body	Dia	Bearing	Cap	Shaft	Comments
M1-R52170	1/4	208/230	2.1	SP	1/1725	Rev	7.0"	5.5"	Sleeve	-	5.5"×1/2"×5.5"	07589, GE 7J399GX, Marathon 48S17D1240

Climate Master

Product ID	HP	Volts	Amps	Type	RPM	Rot.	Body	Dia	Bearing	Cap	Shaft	Comments
M5-T2541	1	575	1.70	3 Ph	1/1140	CW	8.22"	6.5"	Ball	-	5.0"×5/8"	GE 5J999GBX, Marathon 56T105308

Coldstream

Product ID	HP	Volts	Amps	Type	RPM	Rot.	Body	Dia	Bearing	Cap	Shaft	Comments
R1-R128	1/135	115	0.35	SP	1/1550	CW	2.09"	3.3"	Sleeve	-	0.6" Hubless	2868-505-023, 2868-505-072
O6-R230	1/70	115	0.64	SP	1/2800	CCW	2.30"	3.3"	Sleeve	-	1.3" × 1/4"	2862-405-003, 2862-405-010
R1-R122	1/60	230	0.35	SP	1/1550	CW	2.50"	3.3"	Sleeve	-	0.6" Hubless	SM122
R1-R137	1/60	115	0.59	SP	1/1550	CW	2.20"	3.3"	Sleeve	-	0.6" Hubless	76051

OEM Replacement Motors



Comfort Air

Product ID	HP	Volts	Amps	Type	RPM	Rot.	Body	Dia	Bearing	Cap	Shaft	Comments
M2-R32050	3/4	575	1.65	PSC	3/1025	Rev	6.50"	5.5"	Ball	15/370	4.0" x 1/2"	Commercial Rooftop
M2-R32051	3/4	460	2.15	PSC	3/1075	Rev	6.65"	5.5"	Ball	15/370	4.0" x 1/2"	43G52

Copeland (cont. next page)

Product ID	Watts	Volts	Amps	Type	RPM	Rot.	Body	Dia	Bearing	Cap	Shaft	Comments
04-R5911	5	115	0.35	SP	1/1550	CW	2.58"	3.5"	Unit	-	Threaded	COPELAND 050-0010-00,0178-00 050-0246-01,HILL PP7577
04-R5311	6	120	0.36	SP	1/1550	CW	2.8"	3.5"	Unit	-	Threaded	GE5311
04-R5421	9	208/230	0.29	SP	1/1550	CW	2.8"	3.5"	Unit	-	Threaded	GE5421
04-R5411	9	120	0.58	SP	1/1550	CW	2.8"	3.5"	Unit	-	Threaded	GE5411
04-R3531	35	115	1.40	SP	1/1500	CW	3.6"	3.8"	Unit	-	Hubless	050-0367-03, 050-0367-06, 050-0367-10
04-R3512	35	208/230	0.70	SP	1/1550	CW	3.5"	3.8"	Unit	-	Threaded	050-0227-02
04-R3511	35	120	1.40	SP	1/1550	CW	3.5"	3.8"	Unit	-	Threaded	050-0227-01
04-R5011	50	115	1.70	SP	1/1500	CW	4.5"	3.8"	Unit	-	1.5" x 3/8"	050-0011-01, 0017-02, 050-0237-01
04-R5012	50	208/230	0.85	SP	1/1550	CW	4.5"	3.8"	Unit	-	1.5" x 3/8"	050-0017-01
04-R5022	50	208/230	0.85	SP	1/1550	CCW	4.5"	3.8"	Unit	-	1.5" x 3/8"	050-0011-00
04-R5031	50	115	1.70	SP	1/1500	CW	4.5"	3.8"	Unit	-	Hubless	050-03440-01
04-R5032	50	208/230	0.85	SP	1/1500	CW	4.5"	3.8"	Unit	-	Hubless	050-03440-00, 050-03440-10
04-R5460	50	460	0.44	SP	1/1500	CW	4.5"	3.8"	Unit	-	Hubless	050-03440-03

OEM Replacement Motors



Copeland(cont. from previous page)

Product ID	HP	Volts	Amps	Type	RPM	Rot.	Body	Dia	Bearing	Cap	Shaft	Comments
UE-174A	1/6	208/230	1.0	PSC	1/1625	Rev	4.0"	5.5"	Sleeve	5/370	2.5" x 1/2"	S3051
R4-R6128	1/6	230	1.5	PSC	1/1625	CW	3.87"	5.0"	Sleeve	5/370	2.5" x 1/2"	322P913, 050-0251-00, 128
R4-R3047	1/4	208/230	1.5	PSC	1/1625	CW	4.56"	5.5"	Sleeve	5/370	3.0" x 1/2"	3047, D783, K6124, 5KCP39GGD320T, 5KCP39GG3537S
R4-R6129	1/4	230	1.5	PSC	1/1625	CW	3.87"	5.0"	Sleeve	5/370	2.5" x 1/2"	322P914, 050-0250-00, 6129
R4-R3124	1/3	208/230	2.6	PSC	1/1625	CW	5.75"	5.5"	Ball	4/370	2.25" x 1/2"	5KCP39KGB906AT, 5KCP39KGB906AS, 5KCP32KG259S, 050-0108-00, 050-0018-00, K55ECE2645, K55HXJNJ-2976, K55HXSZJ-8106, 3124, 6127, 5KCP32KG175S
M5-S1502	1/3	200/230/460	3.2/1.6	PSC	1/1075	Rev	7.3"	5.5"	Ball	5/440	3.5" x 1/2"	050-0015-00, 0105-00
M5-T1536	3/4	575	1.50	3 Ph.	1/1140	Rev	11.0"	5.5"	Ball	-	4.0" x 5/8"	050-0169-00, 01, 0236-00

Cornelius / QBD

Product ID	HP/W	Volts	Amps	Type	RPM	Rot.	Stack	Frame	Bearing	Cap	Shaft	Comments
O4-R6247	5W	115	0.35	SP	1/1550	CW	2.58"	3.5"	Unit	-	Threaded	R CORNELIUS
T1-R621	1/187	115	0.40	SP	1/3000	CW	0.55"	5.5"	Sleeve	-	1.29" x 0.1811"	QBD 47-0410-001, -022, -015, IN DC5 & DC7

OEM Replacement Motors



Dundas Greenhouse

Product ID	HP	Volts	Amps	Type	RPM	Rot.	Body	Dia	Bearing	Cap	Shaft	Comments
R7-RB141	1/30	115	1.1	SP	1/2860	CCW	5.5"	3.3"	Sleeve	-	-	Dundas Foundry Cooler Blower Fan D500, UE9492

Dunham Bush

Product ID	HP	Volts	Amps	Type	RPM	Rot.	Body	Dia	Bearing	Cap	Shaft	Comments
R1-R124	1/20	120	1.60	SP	1/1550	CCW	2.7"	3.3"	Ball	-	0.90" Hubless	350044, 46, MM2847
R1-R125	1/20	230	0.75	SP	1/1550	CCW	2.7"	3.3"	Ball	-	0.90" Hubless	350043, 45, MM2848
M5-S1510	3/4	200/230/460	2.30	PSC	1/1075	Rev	12.2"	5.5"	Ball	20/370	3.6" x 1/2"	371027
M5-T2158	2	208/230/460	7.00	3 Ph	1/1725	Rev	11.5"	6.5"	Ball	-	2.3" x 7/8"	390080
M5-T2166	2	208/230/460	8.40	3 Ph	1/1725	Rev	12.2"	6.5"	Ball	-	2.3" x 7/8"	390082,87,88

Emerson (Quiet Kool)

Product ID	HP	Volts	Amps	Type	RPM	Rot.	Body	Dia	Bearing	Cap	Shaft	Comments
M4-R742	1/10	115	1.35	PSC	3/1080	CCW	3.37"	5.0"	Sleeve	4/370	3.5" x 1/2" x 4"	OEK6511
M4-R743	1/5	208/230	1.60	PSC	3/1400	CCW	3.8"	5.0"	Sleeve	5/370	3.5" x 1/2" x 4"	OEK4510

OEM Replacement Motors



Fedders

Product ID	HP	Volts	Amps	Type	RPM	Rot.	Body	Dia	Bearing	Cap	Shaft	Comments
M4-R2580	1/6	115	2.0	PSC	3/1625	CCW	3.62"	5.0"	Sleeve	10/370	3.6"×1/2"×6.8"	M15580-3
M4-R740	1/6	230	2.2	SP	2/1050	CCW	3.12"	5.0"	Sleeve	-	2.8"×1/2"×4"	S196-00161-003, S196-00161-016
M2-R22180	1/5	230	1.3	PSC	1/1080	CCW	3.87"	5.5"	Sleeve	7.5/370	4.25" × 1/2"	S196-179-1, S196-HP127-1, S196-KP127-1, S196-66-1, D882, 7126-0320
M4-R2339	1/5	208/230	1.5	PSC	2/1350	CCW	3.37"	5.0"	Sleeve	4/370	3.6"×1/2"×2.7"	S202-00028-00, 11-33-90000-003, F42B11A23,
M1-R52289	1/3	208/230	2.2	PSC	3/1400	CCW	4.87"	5.5"	Sleeve	7.5/370	3.2"×1/2"×6.5"	S202-00034-002 F48F32A23 11-28-90000-004

Foster

Product ID	HP	Volts	Amps	Type	RPM	Rot.	Body	Dia	Bearing	Cap	Shaft	Comments
R1-R127	1/75	120	0.75	SP	1/1550	CCW	1.94"	3.3"	Sleeve	-	1.0" Hubless	2868-505-063
R1-R122	1/60	230	0.35	SP	1/1550	CW	2.19"	3.3"	Sleeve	-	0.6" Hubless	SM122
R1-R101	1/45	120	0.90	SP	1/1550	CW	2.19"	3.3"	Sleeve	-	0.7" Hubless	76101, SS101, D437, SM101
R1-R103	1/45	120	0.90	SP	1/1550	CCW	2.19"	3.3"	Sleeve	-	0.7" Hubless	76103, SS103, D436, SM103, SM104

OEM Replacement Motors



Friedrich

Product ID	HP	Volts	Amps	Type	RPM	Rot.	Body	Dia	Bearing	Cap	Shaft	Comments
M1-R52639	1/6	230	0.8	PSC	5/1075	CCW	4.0"	5.5"	Sleeve	4/370	2.5"×1/2"×3.3"	D867, 323P225
M1-R62350	1/3	230	1.8	PSC	5/1075	CCW	4.87"	5.5"	Sleeve	5/370	2.5"×1/2"×2.6"	5KCP39MG9579S, 5KCP39MG71455, 5KCP39LGG7205, K4340, D868

GE 11 Frame Replacements

Product ID	HP	Volts	Amps	Type	RPM	Rot.	Body	Dia	Bearing	Cap	Shaft	Comments
US-R90671	1/15	115/208/230	2.1/1.1	SP	1/1550	CW	5.00	11	Ball	-	2.24"×5/16"	671, 81671
US-R90672	1/15	115/208/230	2.1/1.1	SP	1/1550	CCW	5.00	11	Ball	-	2.24"×5/16"	672, 81672

Goodman/Janitrol

Product ID	HP	Volts	Amps	Type	RPM	Rot.	Body	Dia	Bearing	Cap	Shaft	Comments
M2-R32251	1/6	208/230	1.0	PSC	1/1075	CCW	3.87"	5.5"	Sleeve	5/370	3.75"×1/2"	B13400-251, 4M287, F48F96A76, F48A90A76, 3216
M2-R22247	1/4	208/230	1.5	PSC	1/1075	CCW	4.25"	5.5"	Sleeve	5/370	3.25"×1/2"	B13400-247, F48A91A76, 3218, F48F97A76

Habco

Product ID	HP	Volts	Amps	Type	RPM	Rot.	Stack	Dia	Bearing	Cap	Shaft	Comments
T1-R606	1/134	115	0.50	SP	1/3000	CCW	0.65"	Skel	Sleeve	-	1.10"×7/32"	H.A. Brown C021795
T1-R607	1/49	115	1.3	SP	1/2300	CCW	1.16"	Skel	Sleeve	-	1.75"×7/32"	H.A. Brown C021617, Bomax 301-6966

OEM Replacement Motors



Heatcraft

Product ID	HP	Volts	Amps	Type	RPM	Rot.	Body Dia	Bearing	Cap	Shaft	Comments	
US-R90574	1/20	115	1.90	SP	1/1550	CW	2.75"	3.3"	Sleeve	-	2.48"×5/16"	7136-2113, 253-1194
US-R90575	1/20	230	0.89	SP	1/1550	CW	2.75"	3.3"	Sleeve	-	2.48"×5/16"	7136-3371, 253-1195
US-R90572	1/15	115	1.80	SP	1/1550	CCW	3.00"	3.3"	Sleeve	-	3.03"×5/16"	5KSM59JSK143S, 5KSM59JS5036S, 5034LS, 5008SS
M4-R2155	1/15,1/20,1/25	120	1.20	ECM	1/1625	CCW	2.85	5.0"	Ball	-	3.0"×5/16"	22617801, 22618001, 25307801, 25308001
M4-R2156	1/15,1/20,1/25	120	1.20	ECM	1/1625	CW	2.85	5.0"	Ball	-	3.0"×5/16"	2531194
M4-R2157	1/15,1/20,1/25	230	0.70	ECM	1/1625	CCW	2.85	5.0"	Ball	-	3.0"×5/16"	22617701, 22617901, 25307701, 25307901
M4-R2158	1/15,1/20,1/25	230	0.70	ECM	1/1625	CW	2.85	5.0"	Ball	-	3.0"×5/16"	2531195
US-R90721	1/12	115/ 208/230	1.1/6	PSC	1/1550	REV	3.59"	3.3"	Ball	4/370	3.15"×5/16"	25308601, 25309101, 2531194, 2531195

Hill

Product ID	HP/W	Volts	Amps	Type	RPM	Rot.	Body Dia	Bearing	Cap	Shaft	Comments	
R4-R3001		208/230	1.80	PSC	1/1625	CW	4.50"	5.5"	Sleeve	-	3.5" × 1/2"	GE3001, PP3955B
R4-R3067		208/230	7.10	PSC	1/1075	Rev	9.20"	5.5"	Ball	15/370	3.8" × 1/2"	GE3067, PP19162G
O4-R5911		115	0.40	SP	1/1550	CW	3.40"	3.5"	Unit	-	Threaded	PP7577M
O4-R5411		115	0.58	SP	1/1550	CW	2.80"	3.5"	Unit	-	Threaded	GE5411
EC-HE-0182		115	0.19	ECM	1/1550	CW	3.61"	-	Ball	-	Hubless	P079441C, P066237A
EC-HE-0176		115	0.22	ECM	1/1600	CW	4.00"	-	Ball	-	Hubless	P078449H
O4-R5711		115	0.37	PSC	1/1550	CW	3.50"	3.87"	Unit	-	Threaded	P41661

OEM Replacement Motors



Hill

Product ID	HP/W	Volts	Amps	Type	RPM	Rot.	Body Dia	Bearing	Cap	Shaft	Comments	
04-R2011		115	0.80	SP	1/1550	CW	3.75"	3.5"	Unit	-	Threaded	PP20934F

Hussmann

Product ID	Watts	Volts	CFM	Type	RPM	Rot.	Body Dia	Bearing	Cap	Shaft	Comments
03-RF2466	14	115VAC	105	-	3000	-	-	Axial	Ball	-	392466 PS2CDB51-125012012 Conair 039865

Product ID	HP/W	Volts	Amps	Type	RPM	Rot.	Body Dia	Bearing	Cap	Shaft	Comments	
EE-5610	6 W	115	0.40	SP	1/1550	CW	3.30"	3.87"	Unit	-	Threaded	38360
04-R6711	6,9,12 W	115	0.2-0.3	ECM	1/1550	CCW	2.53"	3.87"	Unit	-	Threaded	SVC #110.441.0546
R1-R101	9 W	115	0.90	SP	1/1550	CW	2.36"	3.3"	Sleeve	-	0.7" Hubless	Evap. Motor
R1-R101L	9 W	115	0.90	SP	1/1550	CW	2.36"	3.3"	Sleeve	-	0.7" Hubless	Evap. Motor w/ leg mount
R1-R103	9 W	115	0.90	SP	1/1550	CCW	2.36"	3.3"	Sleeve	-	0.7" Hubless	Evap. Motor
R1-R103L	9 W	115	0.90	SP	1/1550	CCW	2.36"	3.3"	Sleeve	-	0.7" Hubless	Evap. Motor w/ leg mount
EE-5611	9 W	115	0.52	SP	1/1550	CW	3.30"	3.87"	Unit	-	Threaded	47000, 58698
04-R5611	9 W	115	0.60	SP	1/1550	CW	3.07"	3.87"	Unit	-	Threaded	7000, 58698
04-R5612	9 W	115	0.60	SP	1/1550	CCW	3.07"	3.87"	Unit	-	Threaded	38360
04-R9211	13 W	115	0.47	ECM	1/1725	CW	2.53"	3.87"	Unit	-	Hubless	4410547, 441-547
04-R5711	15 W	115	0.37	PSC	1/1550	CW	3.50"	3.87"	Unit	-	Threaded	301263, 301264, 329646, 400603
04-R3511	35 W	115	1.40	SP	1/1500	CW	3.50"	3.87"	Unit	-	0.7" Hubless	TFM351, HUSSMANN 328346, COPELAND 050-0227-01
R4-R3011	1/8	230	1.00	PSC	1/1550	CW	3.75"	5.5"	Sleeve	5/370	2.0" x 1/2"	3011, 5KSP39DG2221S 5KSP39DG4220AS

OEM Replacement Motors



Hussmann

Product ID	HP/W	Volts	Amps	Type	RPM	Rot.	Body	Dia	Bearing	Cap	Shaft	Comments
R4-R3009	1/5	230	1.60	PSC	1/1075	CW	4.25"	5.5"	Sleeve	5/370	3.0" x 1/2"	3009, D805 5KCP39GG3611AS
R4-R3012	1/5	208/230	1.40	PSC	1/1075	CW	4.18"	5.5"	Ball	5/370	3.0" x 1/2"	1648, K55CLN1782, K55HXKWA8573, 3008, 3012, 5KCP39GG5606S, 5KCP39GG765S, 5KCP39GGC052T, 5KCP39GN765, 5KSP39GGA967T, P011-96203
R6-R49983	1/2	208/230	2.70	PSC	1/1725	CW	5.18"	5.5"	Ball	5/370	3.5" x 1/2"	0644, 644, K644, K055SME164467, K55HXCTP9963, K55HXSME-1644, D890, 259983
M5-T2538	1	208/230/460	5.30	3 Ph	1/1140	Rev	10.81"	6.5"	Ball	-	6.0" x 5/8"	170518, 502595
M5-T2540	1	575	2.00	3 Ph	1/1140	Rev	10.81"	6.5"	Ball	-	6.0" x 5/8"	170517, KPN502597

Ideal Evaporator Motor

Product ID	HP	Volts	Amps	Type	RPM	Rot.	Body	Frame	Bearing	Cap	Shaft	Comments
T1-R611	1/300	115	0.54	SP	1/1550	CW	0.50"	Skel	Sleeve	-	2.2" x 0.1811"	SM601, 23303, 3008001
R1-R108	1/100	115	0.55	SP	1/1550	CCW	1.94"	3.3"	Sleeve	-	0.70" Hubless	124574, 76108, SM108

OEM Replacement Motors



Intercity

Product ID	HP	Volts	Amps	Type	RPM	Rot.	Body	Dia	Bearing	Cap	Shaft	Comments
M3-R2609	1/30	115	1.21	SP	1/1550	CW	3.0"	4.1"	Sleeve	-	2.4"×1/2"	Intercity, UE 009
M3-R2612	1/30	115	1.21	SP	1/1550	CCW	3.0"	4.1"	Sleeve	-	2.4"×1/2"	Intercity, UE 010

Keeprite (cont. next page)

Product ID	HP	Volts	Amps	Type	RPM	Rot.	Body	Dia	Bearing	Cap	Shaft	Comments
R3-R360	1/35	115	1.0	SP	1/1550	CW	2.60"	3.3"	Sleeve	-	1.6"×1/4"	Keeprite 504249
R3-R370	1/20	115	0.75	Inc.	1/1550	CW	3.98"	3.3"	Ball	Inc.	2.7"×5/16"	Keeprite 505124, Fasco 7190-2366
R3-R371	1/20	208/230	0.38	Inc.	1/1550	CW	3.98"	3.3"	Ball	Inc.	2.7"×5/16"	Keeprite 505125, Fasco 7190-2367, A.O. Smith JE2G052
R3-R1052	1/20	115	2.0	SP	1/1550	CCW	3.10"	3.3"	Ball	-	3.20"×5/16"	Keeprite 1043336, Fasco 7163-8722N, A.O. Smith JA2Y016-M, Rotom R358
R3-R1053	1/20	230	1.0	SP	1/1550	CCW	3.10"	3.3"	Ball	-	3.20"×5/16"	Keeprite 1043766, Fasco 7163-8861M, A.O. Smith JA2Y017-N
M4-R2269	1/15	115	2.40	SP	1/1050	CCW	3.00"	5.0"	Sleeve	-	3.0"×1/2"	160269
M3-R2657	1/15	230	1.20	SP	1/1550	CW	3.40"	4.3"	Sleeve	-	1.8"×3/8"	Keeprite 81335 Fasco 7108-2230C

OEM Replacement Motors



M3-R2658



M2-R30409



M2-R31065



M2-R30900



M5-T2538



M5-T2540



R6-R42464



M5-S1454

Keeprite (cont. from previous)

Product ID	HP	Volts	Amps	Type	RPM	Rot.	Body	Dia	Bearing	Cap	Shaft	Comments
M3-R2658	1/15	115	2.30	SP	1/1550	CW	3.40"	4.3"	Sleeve	-	1.8"×3/8"	Keeprite 81356 Fasco 7108-2206C
M2-R30409	1/5	208/230	1.80	PSC	1/1550	CCW	4.60"	5.5"	Sleeve	4/370	3.0"×1/2"	Keeprite 120409, 1041300, A.O. Smith HF2J040-N, Fasco 7124-0021
M2-R31065	1/4	575	0.50	3 Ph	1/1140	Rev	6.30"	5.5"	Ball	-	2.9"×5/8"	171065, HM3G004
M2-R30900	1/2	208/230	2.3	PSC	1/1075	CW	5.25"	5.5"	Ball	7.5/370	4.0"×5/8"	510900
M5-T2538	1	208/230 460	5.30	3 Ph	1/1140	Rev	10.81"	6.5"	Ball	-	6.0"×5/8"	170518
M5-T2540	1	575	2.0	3 Ph	1/1140	Rev	10.81"	6.5"	Ball	-	6"×5/8"	170517
R6-R42464	1	208/230	5.4	PSC	3/1075	Rev	6.5"	5.5"	Ball	12.5/370	3.5"×5/8"	504464
M5-S1454	1	208/230 460	4.80	PSC	1/1075	Rev	10.70"	6.5"	Ball	25/370	6"×5/8"	170619

OEM Replacement Motors



Krack

Product ID	HP	Volts	Amps	Type	RPM	Rot.	Body	Dia	Bearing	Cap	Shaft	Comments
US-R91189	1/20	115/208/230	1.6/0.8	SP	1/1550	CCW	3.15"	3.3"	Sleeve	-	1.65"×5/16"	11528, 11529, JB2P046N, JA2P216N, JA2P217N, JB2P047N, 8354110940, 8254111030
R3-R313	1/15	120	2.2	SP	1/1550	CCW	3.60"	3.3"	Ball	-	3" × 5/16"	5034LS, 5008SS, U-572
R3-R314	1/15	208/230	1.3	SP	1/1550	CCW	3.50"	3.3"	Sleeve	-	3" × 5/16"	5044MS, 5008TS, U-573
UE-9634	1/15	208/230	0.30	PSC	1/1550	CCW	3.62"	3.3"	Sleeve	4/370	1.5"×5/16"	JE2F030, E206448
M5-T3572	1/2	208/230/460	2.0	3 Ph	1/1140	Rev	9.25"	6.5"	Ball	-	2.0"×5/8"	150372, 11096
M5-T3537	1	208/230/460	4.4	3 Ph	1/850	Rev	10.25"	6.5"	Ball	-	3.25"×5/8"	151437, 11503

Kysor

Product ID	Watts	Volts	Amps	Type	RPM	Rot.	Body	Dia	Bearing	Cap	Shaft	Comments
04-R5711	15	115	0.37	PSC	1/1550	CW	3.50"	3.87"	Unit	-	Threaded	09A10-054, 09A10-055
04-R5715	15	115	0.37	PSC	1/1550	CW	3.50"	3.87"	Unit	-	Threaded	73049

Larkin

Product ID	HP	Volts	Amps	Type	RPM	Rot.	Body	Dia	Bearing	Cap	Shaft	Comments
US-R90574	1/20	115	1.90	SP	1/1550	CW	2.75"	3.3"	Sleeve	-	2.48"×5/16"	7136-2113, 253-1194
US-R90575	1/20	230	0.89	SP	1/1550	CW	2.75"	3.3"	Sleeve	-	2.48"×5/16"	7136-3371, 253-1195
US-R90721	1/12	115/208/230	1.1/06	PSC	1/1550	Rev	3.59"	3.3"	Ball	4/370	3.15"×5/16"	25308601, 25309101, 2531194, 2531195

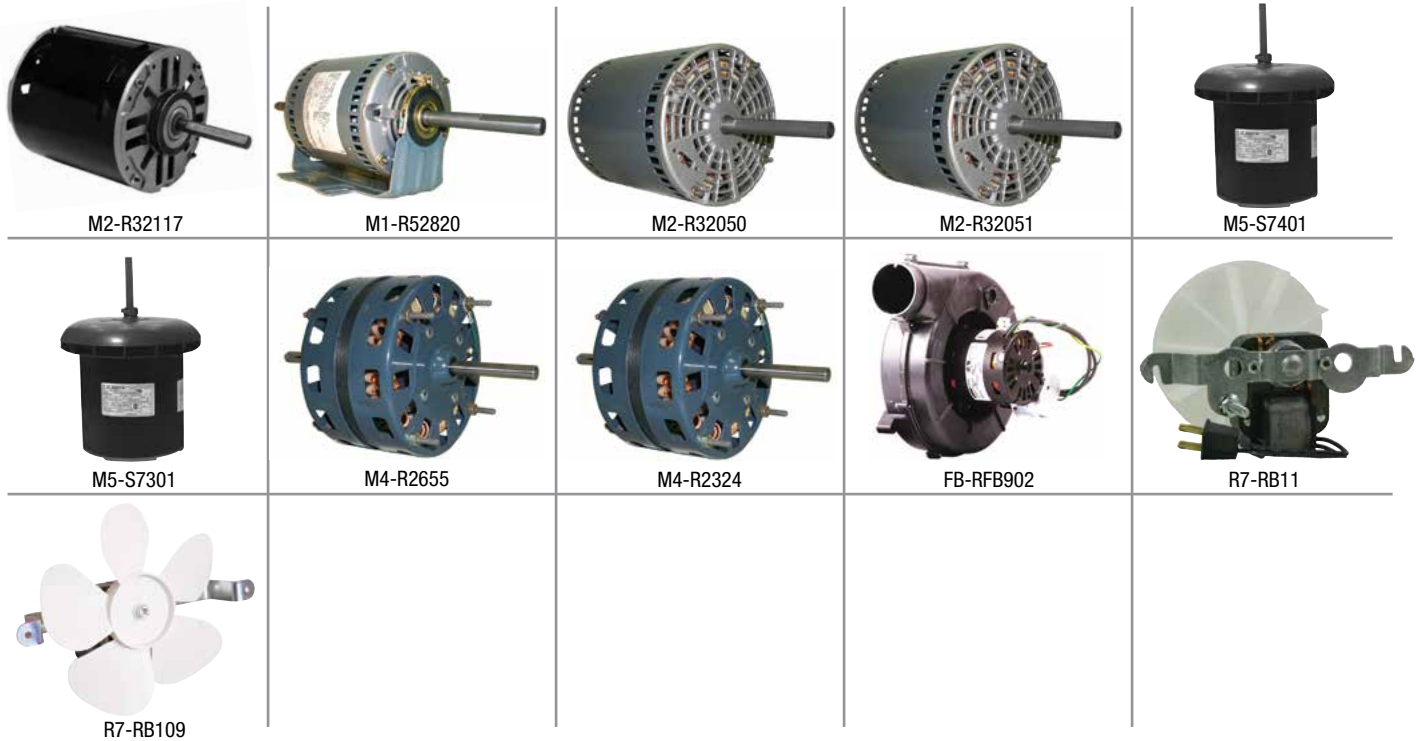
OEM Replacement Motors



Lennox (cont. next page)

Product ID	HP	Volts	Amps	Type	RPM	Rot.	Body Dia	Bearing	Cap	Shaft	Comments	
UE-9484	1/15	208/230	0.60	PSC	1/1050	CW	3.75"	4 5/16"	Sleeve	4/370	2.5"×3/8"×1.3"	P-8-9584
UE-9485	1/12	208/230	0.80	PSC	2/1050	CCW	3.75"	4 5/16"	Sleeve	4/370	2.5"×3/8"	P-8-9485
UE-9403	1/8, 1/6, 1/5	115	6.40	SP	3/1075	CCW	4.0"	5.0"	Sleeve	-	3.0"×1/2"	GE5KSP29KK1542S, FASCO D1030, P-8-3789, P-8-3790, P-8-3529, P-8-3527, P-8-9662
UE-442C	1/6	208/230	0.95	PSC	1/1075	Rev	3.74"	5.5"	Sleeve	5/370	5.5"×1/2"	P-8-3132, K55HXB MJ1121, 8053
R6-R42702	1/4	230	2.1	PSC	1/1075	CCW	4.0"	5.5"	Sleeve	4/370	3.5"×1/2"	P-8-3132, K55HXB MJ1121, 8053
DD-035	1/3	115	5.0	PSC	4/1075	Rev	4.30"	5.5"	Sleeve	10/370	6"×1/2"	P-8-7505
M2-R32217	1/3	230	2.1	PSC	1/825	CCW	5.75"	5.5"	Ball	4/370	3.5"×1/2"	5KCP39NGC119S, KCP39NGL5715, 3501, 3591
R6-R42310	1/3	115	6.0	PSC	4/1075	CCW	4.18"	5.5"	Sleeve	5/370	5.18"×1/2"	P-8-7505, P-8-9450, 41A4201, 3082, F48SJ6MA21, F48SL6M7, 5KCP39HG9174AS, 321P267, K55HXENB-2994
M2-R38041	1/3	208/230	2.0	PSC	1/1075	CCW	4.37"	5.5"	Sleeve	5/370	3.5"×1/2"	3044, 5KCP39HGD766T, 5KCP39HD9530S, K7994, 3592, K55FCM3264, P-8-8041
R6-R48609	1/3	208/230	2.6	PSC	4/1075	CCW	4.67"	5.5"	Sleeve	7.5/370	3.0"×1/2"	5KCP39HG9546S, 5KCP39HGK020T, 3087, P-8-8609
UE-9405	3/4	115	9.7	PSC	5/1075	CCW	5.37"	5.5"	Ball	40/370	3.18"×1/2"	28F0101, 58H2201, EMK55HXWNZ7057
UE-9406A	3/4	208/230	6.6	PSC	3/1075	CCW	6.25"	5.5"	Ball	10/370	6.5"×5/8"×5.2"	31C8201 EM K55HXRYT-8180

OEM Replacement Motors



Lennox (cont. from previous)

Product ID	HP	Volts	Amps	Type	RPM	Rot.	Body	Dia	Bearing	Cap	Shaft	Comments
M2-R32117	1/3	208/230	2.00	PSC	1/1075	Rev	6.00"	5.5"	Ball	10/370	6.0"×1/2"	S3050, P-8-9662
M1-R52820	3/4	208/230	4.20	PSC	3/1075	CW	7.80"	5.5"	Ball	10/370	5.3"×5/8"×4.8"	31C8102 - Includes Base
M2-R32050	3/4	575	1.65	PSC	3/1025	Rev	6.50"	5.5"	Ball	15/370	4.0" × 1/2"	Rooftop Direct Drive Motor
M2-R32051	3/4	460	2.15	PSC	3/1075	Rev	6.63"	5.5"	Ball	15/370	4.0" × 1/2"	43G52
M5-S7401	1	230	5.0	PSC	1/1075	CCW	5.87"	5.5"	Ball	20/370	4.0" × 5/8"	88C7401
M5-S7301	1	460	2.9	PSC	1/1075	CCW	6.5"	5.5"	Ball	15/370	4.0" × 5/8"	88C7301

Nutech

Product ID	HP	Volts	Amps	Type	RPM	Rot.	Body	Dia	Bearing	Cap	Shaft	Comments
M4-R2655	1/12	115	2.3	PSC	1/1550	CCW	3.0"	5.0"	Sleeve	5/370	2.5"×3/8"×2.4"	A0812B2355
M4-R2324	1/12	115	1.1	PSC	1/1550	CCW	3.0"	5.0"	Ball	Inc	2.5"×3/8"×2.4"	Nubreath 23-204, GE5KCP298G8560BS

Nordyne

Product ID	HP	Volts	Amps	Type	RPM	Rot.	Body	Frame	Bearing	Cap	Shaft	Comments
FB-RFB902	1/19	115	0.70	PSC	3450	CCW	5.50	3.3	Ball	4/370	Blower	903962, G5RC, G6RC, G1, G4

Nutone / Broan

Product ID	HP	Volts	Amps	Type	RPM	Rot.	Body	Frame	Bearing	Cap	Shaft	Comments
R7-RB11	1/130	115	0.65	SP	1/3000	CW	0.60"	Skel	Sleeve	-	1.7"×7/32"	BF3C-MBB, 118445, 208370856, 67PCF
R7-RB109	1/60	115	1.00	SP	1/2400	CW	0.90"	Skel	Sleeve	-	1.2"×7/32"	10941067, Broan "BP" Series, Nutone "RL" Series

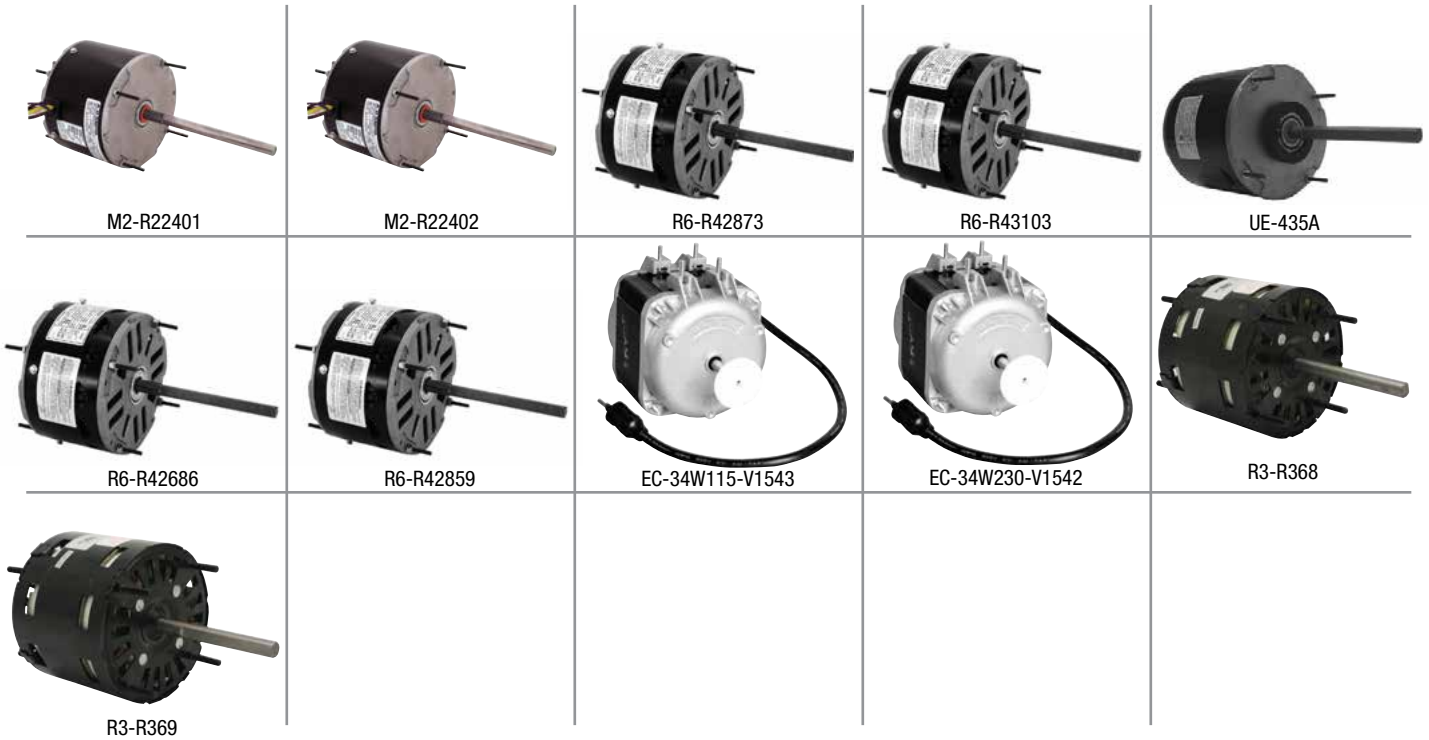
OEM Replacement Motors



Rheem-Ruud

Product ID	HP	Volts	Amps	Type	RPM	Rot.	Body	Dia	Bearing	Cap	Shaft	Comments
M2-R21853	1/6	208/230	0.90	PSC	1/1075	CCW	3.67"	5.5"	Sleeve	3/370	3.75" x 1/2"	3222, 5KCP39BGN253S 5KCP39BGP085S, 51-21853-01
UE-795A	1/5	208/230	1.60	PSC	1/825	Rev	4.25"	5.5"	Sleeve	5/370@230 7.5/370@208	3.6" x 1/2"	51-23055-12, 3153
M2-R22170	1/5	208/230	1.40	PSC	1/1075	Rev	3.87"	5.5"	Sleeve	3/370	4.25" x 1/2"	5484, KA55HXMP-6557, 51-20672-01, 51-20673-01 51-20674-01, 51-20675-01 51-20679-01, 51-20680-01 51-20681-01, 51-20682-01 51-21826-01, 51-21827-01 51-21828-01, 51-21829-01 51-21830-01, 51-21831-01
M2-R22437	1/4	208/230	1.60	PSC	1/1075	Rev	4.0"	5.5"	Sleeve	5/370	5.5" x 1/2"	51-21185-01, 51-20761-01 5KCP39FGD117BS 5KCP39GGE879AS, 437
M2-R23103	1/4	208/230	2.00	PSC	2/825	Rev	4.37"	5.5"	Sleeve	7.5/370	3.37" x 1/2"	51-23103-06, 51-21543-01
M2-R22444	1/3	208/230	2.20	PSC	1/1075	Rev	4.37"	5.5"	Sleeve	7.5/370	5.5" x 1/2"	51-20688-01, 87360, 60130
M2-R21189	1/3	208/230	1.80	PSC	1/1075	Rev	4.37"	5.5"	Sleeve	5/370	3.25" x 1/2"	51-21189-01, KA55HZRGR-7898
M2-R22307	1/3	208/230	2.80	PSC	2/825	CCW	4.67"	5.5"	Sleeve	10/370	2.18" x 1/2"	51-23103-07

OEM Replacement Motors



Rheem-Ruud

Product ID	HP	Volts	Amps	Type	RPM	Rot.	Body	Dia	Bearing	Cap	Shaft	Comments
M2-R22401	1/3	208/230	2.00	PSC	1/1075	Rev	4.12"	5.5"	Sleeve	7.5/370	6.7"×1/2"	K55HXTDD-8385, 5458 51-20668-11, 51-23055-11 51-20354-11, 51-23053-11
M2-R22402	1/3	208/230	2.00	PSC	1/1075	Rev	4.12"	5.5"	Ball	7.5/370	6.7"×1/2"	K55HXTDD-8385, 5458 51-20668-11, 51-23055-11 51-20354-11, 51-23053-11
R6-R42873	1/2	115	5.70	PSC	4/1050	CCW	4.67"	5.5"	Sleeve	7.5/370	3.5" × 1/2"	F48C45A94, 51-22873-01
R6-R43103	1/2	208/230	3.40	PSC	1/825	CCW	4.87"	5.5"	Sleeve	15/370	3.25"×1/2"	51-23103-08, 51-23101-08
UE-435A	1/2	460	1.70	PSC	1/1075	Rev	5.12"	5.5"	Ball	7.5/370	6.0"×1/2"	51-20470-01
R6-R42686	1/2	115	5.90	PSC	3/1075	CCW	4.50"	5.5"	Sleeve	7.5/370	3.75"×1/2"	51-22686-01
R6-R42859	3/4	115	10.5	PSC	4/1075	Rev	5.65"	5.5"	Ball	15/370	5.0"×1/2"	F48C47A94, 51-22859-01

Ref Plus

Product ID	HP	Volts	Amps	Type	RPM	Rot.	Body	Dia	Bearing	Cap	Shaft	Comments
EC-34W115-V1543		115	1.60	SP	1/1550	CW	3.55"	-	Sleeve	-	Hubless	RMT0004
EC-34W230-V1542		230	0.80	SP	1/1550	CW	3.55"	-	Sleeve	-	Hubless	RMT0005
R3-R368		115	1.7	SP	1/1550	CW	2.7"	3.3"	Sleeve	-	2.7"×5/16"	RMT0011, JA2N267N, 7173-1539
R3-R369		208/230	0.9	SP	1/1550	CW	2.7"	3.3"	Sleeve	-	2.7"×5/16"	RMT0012, JA2N268N, 7173-1538

OEM Replacement Motors



Tecumseh

Product ID	Watts	Volts	Amps	Type	RPM	Rot.	Body	Frame	Bearing	Cap	Shaft	Comments
04-R5211	4	120	0.29	SP	1/1550	CW	4.50"	3.8"	Unit	-	Hubless	TFM41
04-R5311	6	120	0.36	SP	1/1550	CW	2.80"	3.5"	Unit	-	Hubless	TFM61
04-R5421	9	208/230	0.29	SP	1/1550	CW	2.80"	3.5"	Unit	-	Hubless	TFM91
04-R5411	9	120	0.58	SP	1/1550	CW	2.80"	3.5"	Unit	-	Hubless	TFM62, 92
04-R3512	35	208/230	0.70	SP	1/1550	CW	3.50"	3.8"	Unit	-	Hubless	TFM352
04-R3511	35	120	1.40	SP	1/1550	CW	3.50"	3.8"	Unit	-	Hubless	TFM351
04-R3612	35	230	0.70	SP	1/1550	CW	3.50"	3.8"	Unit	-	1.4"×5/16"	TFM262, TFM362
04-R5022	50	230	0.85	SP	1/1500	CCW	4.50"	3.8"	Unit	-	1.5"×3/8"	810A31B, 810G037A20
04-R5112	50	230	0.85	SP	1/1500	CW	4.50"	3.8"	Unit	-	1.4"×5/16"	810M50A62
04-R5122	50	230	0.85	SP	1/1550	CCW	4.00"	3.8"	Unit	-	2.0"×5/16"	TFM502

Product ID	HP	Volts	Amps	Type	RPM	Rot.	Body	Dia	Bearing	Cap	Shaft	Comments
UE-9488	1/20	115	1.70	SP	1/1500	CW	4.875"	3.3"	Sleeve	-	2 1/8"× 5/16"	TMF191, TFM265, 810E019A080, EM F33HXGFG-2876
M4-R2372	1/20	230	1.10	SP	1/1550	CW	3.0"	5.0"	Sleeve	-	2.8"× 3/8"	Tecumseh TFM372, 8105037B01, 326P137, Copeland
M4-R2601	1/15	230	1.30	SP	1/1500	CW	3.0"	5.0"	Sleeve	-	2.75"×5/16"	810S050A99, 326P136
UE-981	1/15	460	0.60	SP	1/1550	CW	4.25"	3.3"	Sleeve	-	2.5"×5/16"	810G037A47, Fasco D475 GE 5KSP11FG1197CS
UE-9487	1/12	230	1.30	sp	1/1500	cw	4.875"	3.3"	Sleeve	-	2 1/8" × 5/16"	TFM262, 810E026A81, EM F33HXDJ-3668

OEM Replacement Motors



M2-R31862



M2-R31864



M4-R799

Tecumseh

Product ID	HP	Volts	Amps	Type	RPM	Rot.	Body	Dia	Bearing	Cap	Shaft	Comments
M2-R31862	1/4	230	1.90	PSC	1/1625	CW	4.375"	5.5"	Ball	4/370	2.5"×1/2"	TFM1862, 8330, KA55HXKGD8330
M2-R31864	1/4	460	0.80	PSC	1/1625	CW	4.375"	5.5"	Ball	4/370	2.5"×1/2"	TFM1864, 8331 KA55HGE8331

Tempspec

Product ID	HP	Volts	Amps	Type	RPM	Rot.	Body	Frame	Bearing	Cap	Shaft	Comments
M4-R799	1/8	115	3.00	PSC	5/1075	CCW	3.87"	5.0"	Ball	5/370	5.0"×1/2"	L350,L450,L600, UE DA3E200, DA3F100, DA3G142

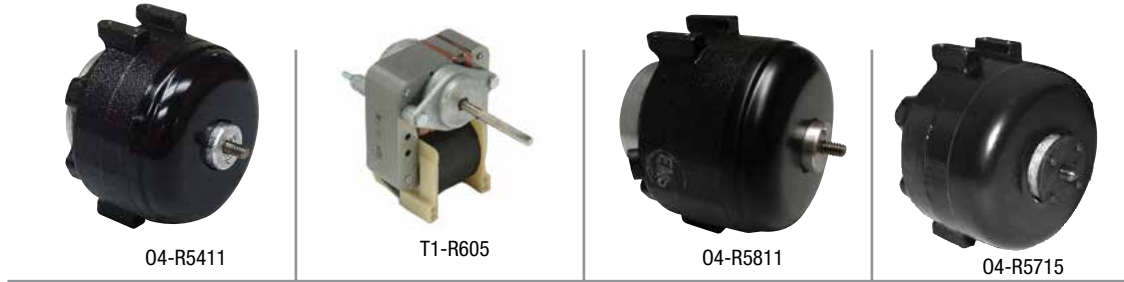
OEM Replacement Motors



Trane (cont. from previous page)

Product ID	HP	Volts	Amps	Type	RPM	Rot.	Body	Dia	Bearing	Cap	Shaft	Comments
M4-R1050	1/4	208/240	0.90	PSC	1/1550	CCW	3.37"	5.0"	Sleeve	Inc.	3.18"×1/2"	D1050, 3438, 5KSP29DK1728S, 322P815
M2-R22983	1/4	200/230	1.50	PSC	1/825	CCW	4.62"	5.5"	Ball	12.5/370	2.5"×1/2"	3D146983P01, 1674, K55DJL-6906
R6-R42604	1/3	575	0.80	PSC	1/1100	Rev	5.80"	5.5"	Ball	7.5/440	6" × 1/2"	MOT2604, 25G20
R6-R42605	1/2	575	1.00	PSC	1/1625	Rev	5.60"	5.5"	Ball	7.5/440	6" × 1/2"	M02605, 173329, HF2J043
R6-R42606	1/2	575	1.10	PSC	1/1100	Rev	5.50"	5.5"	Ball	7.5/370	6" × 1/2"	TRANE, COMFORTAIRE
R6-R42607	3/4	575	1.60	PSC	1/1075	Rev	6.00"	5.5"	Ball	15/370	6" × 1/2"	HM3T071, MOT2607, 48A11T566
M5-S1454	1	208/230/460	4.8	PSC	1/1075	CW	10.75"	5.5"	Ball	25/370	6.0"×5/8"	MOT2461
M5-T2538	1	208/230/460	5.30	3 Ph	1/1140	Rev	10.81"	6.5"	Ball	-	6.0"×5/8"	MOT2463
M5-T2540	1	575	2.0	3 Ph	1/1140	Rev	10.81"	6.5"	Ball	-	6.0"×5/8"	MOT2914
M5-S1456	1½	208/230/460	3.3/6.6	PSC	1/1075	Rev	12.06"	5.5"	Sleeve	25/370	6.0"×5/8"	MOT2462
M5-T2542	1½	208/230/460	5.80	3 Ph	1/1140	Rev	10.81"	6.5"	Ball	-	6.0"×5/8"	MOT2464
M5-T2543	1½	575	2.30	3 Ph	1/1140	Rev	10.81"	6.5"	Ball	-	6.0"×5/8"	MOT1590

OEM Replacement Motors



Trane (cont. from previous page)

True

Product ID	Watts	Volts	Amps	Type	RPM	Rot.	Body	Dia	Bearing	Cap	Shaft	Comments
04-R5411	9	115	0.58	SP	1/1550	CW	2.80"	3.5"	Unit	-	Threaded	936833, 800402
04-R5811	16	115	1.00	SP	1/1550	CW	3.03"	3.5"	Unit	-	Threaded	800469

Tyler

Product ID	HP/ W	Volts	Amps	Type	RPM	Rot.	Body	Dia	Bearing	Cap	Shaft	Comments
04-R5715	15 W	115	0.37	PSC	1/1550	CW	3.50"	3.87"	Unit	-	Threaded	5215879, 5237801
T1-R605	1/55	115	1.00	SP	1/2800	CW	0.90"	Skel	Sleeve	-	1.7" x 0.1811"	SM605, 79103, 79104, E310131, P211116966A

OEM Replacement Motors



R3-R348



R2-R462



R2-R422



R3-R366



R3-R373

Vanee

Product ID	HP	Volts	Amps	Type	RPM	Rot.	Body	Dia	Bearing	Cap	Shaft	Comments
R3-R348	1/15	110/115	1.12	PSC	1550	CW	4.0"	3.3"	Sleeve	4/370	3.25 x 5/16	HRV - M1703, 71900369

Venmar

Product ID	HP	Volts	Amps	Type	RPM	Rot.	Body	Dia	Bearing	Cap	Shaft	Comments
R2-R462	1/8	115	0.90	PSC	3/1660	CW	4.13"	3.3"	Sleeve	7.5/370	3.5"×3/8"×3.5"	02101, Fasco 7190-2271, Kit 12027, 12029, 12109
R2-R422	1/3	115	2.89	PSC	3/1690	CW	4.93"	3.3"	Sleeve	7.5/370	3/8"×2.06"	02209, Fasco 7190-1522
R3-R366	1/4	115	1.68	PSC	3/1630	CW	4.78"	3.3"	Sleeve	7.5/370	2.97"×3/8"×3.00"	02100, Fasco 7190-1523, Kit 1206, 12151

W.W. Grainger - Dayton

Product ID	HP	Volts	Amps	Type	RPM	Rot.	Body	Dia	Bearing	Cap	Shaft	Comments
R3-R373	1/15	115	0.90	PSC	1/1400	CCW	4.50"	3.3"	Sleeve	4/250	3.0"×3/8"	Dayton Greenhouse Fan Motor, Fasco 7190-1004

OEM Replacement Motors



York

Product ID	HP	Volts	Amps	Type	RPM	Rot.	Body	Dia	Bearing	Cap	Shaft	Comments
M2-R25100	1/8	208/230	0.80	PSC	1/1075	CW	3.75"	5.5"	Sleeve	4/370	1.8"×1/2"	F48A85A50, 3217, 024-25100-000, 024-2500-700
M4-R741	1/5	208/230	1.40	PSC	1/1075	CW	3.87"	5.0"	Sleeve	5/370	6.3"×1/2"×6.3"	024-17774, 2091, 024-20795-700
M2-R23294	1/4	208/230	1.30	PSC	1/1075	CW	4.0"	5.5"	Sleeve	5/370	3.0"×1/2"	F48A45A50, 3223, 024-23294-000
M2-R25119	1/4	208/230	1.40	PSC	1/850	CW	4.43"	5.5"	Sleeve	5/370	3.18"×1/2"	F48B46A50, 024-25119-000
M2-R23238	1/2	208/230	2.50	PSC	1/1090	CW	4.87"	5.5"	Sleeve	7.5/370	4.0"×1/2"	5KCP39LGN418S, 024-24110-001, W48A11T388
M1-R52775	1/2	230	4.30	PSC	1/1050	CW	5.25"	5.5"	Sleeve	5/370	9.3"×1/2"×9.3"	024-17775, 024-20797-700
M2-R32716	1/2	460	2.00	PSC	2/1075	Rev	5.50"	5.5"	Ball	10/370	6.4"×1/2"	024-18412-006
M2-R32957	1/2	460	2.00	PSC	1/1075	CCW	7.50"	5.5"	Ball	5/370	4.25"×1/2"	024-183957-00
M2-R32511	1/2	208/230	3.50	PSC	1/1100	CCW	8.10"	5.5"	Ball	3/370	3.7" × 1/2"	Rooftop motor, 024-17420, 024-19511-000, YCFM12
R6-R43241	1/2	208/230	4.40	PSC	3/1000	CCW	5.125"	5.5"	Sleeve	7.5/370	4" × 1/2"	York 024-241106-000, A.O. Smith F48L49A50
M2-R32184	1/2	208/230	5.10	PSC	3/1075	CW	5.25"	5.5"	Sleeve	5/370	1/2" × 3"	York 024-18403-011, GE 5KCP39PGE610S
M2-R32050	3/4	575	1.65	PSC	3/1025	Rev.	6.50"	5.5"	Ball	15/370	4.0" × 1/2"	Direct Drive Evaporator Motors
M2-R32051	3/4	460	2.15	PSC	3/1075	Rev.	6.63"	5.5"	Ball	15/370	4.0" × 1/2"	Direct Drive Evaporator Motors
R6-R43238	1	115	12.9	PSC	3/1075	CCW	5.87"	5.5"	Ball	15/440	3.5"×1/2"	5KCP39PGN812S 024-23238-000, F48SU6V15

PART #	PAGE	PART #	PAGE	PART #	PAGE	PART #	PAGE
24-UMSR50	62	24-ICM859	66	36-20R3744	56	41-RML-3560	57
6-1838L	14	24-ICM866U	67	36-20S440	56	41-RML-4080	57
6-1838S	14	24-ICM870-9A	68	36-25-5-3744	56	41-RML-4560	57
6-2424L	14	24-ICM870-32A	68	36-25-370440	56	41-RML-75100	57
6-2626L	14	25-90290	55	36-25R3744	56	41-RML-90120F	57
6-2739L	14	25-90291	55	36-30-5-3744	56	41-RMM-350	57
6-2748L	14	25-90292	55	36-30-370440	56	41-RMM-410	57
6-2763L	14	25-90293	55	36-30R3744	56	41-RMM-430	57
6-3030L	14	25-90294	55	36-35-5-3744	56	41-RMM-440	57
6-3050L	14	25-90295	55	36-35-370440	56	41-RMM-600	57
6-3060L	14	25-90340	55	36-35R3744	56	66-A508202	89
6-3060S	14	25-90341	55	36-40-5-3744	56	66-A508216	89
6-3263L	14	25-90342	55	36-40-370440	56	66-A610215	89
6-3263L-F	14	25-90360	55	36-40R3744	56	66-A610215	89
6-3636L	14	25-90362	55	36-45-5-3744	56	66-A610220	89
6-3660L	14	25-90370	55	36-45-370440	56	66-RFC300	105
6-3660S	14	25-90372	55	36-45R3744	56	66-RFC400	105
11-88403	43	25-90374	55	36-50-370440	56	66-RFC600	105
11-88405	43	25-90380	55	36-50R3744	56	78-T501ML2	44
11-88418	43	25-90382	55	36-255R3744	56	78-T501ML4	44
11-88420	43	25-90384	55	36-305R3744	56	78-T601-2	45
11-88503	43	36-2S440	56	36-355R3744	56	78-T605-2	45
11-88505	43	36-3S440	56	36-405R3744	56	78-T621-2	45
11-88518	43	36-4S440	56	36-455R3744	56	78-T625-2	45
11-88520	43	36-5-370440	56	41-RMF75120	57	78-T701	47
24-ICM102	62	36-5R3744	56	41-RMF110170	57	78-T7011	47
24-ICM175	63	36-5S440	56	41-RMF150225	57	78-T705	47
24-ICM203	62	36-7.5S440	56	41-RMF190275	57	78-T715	47
24-ICM220	62	36-7-370440	56	41-RMF300400	57	78-T721	48
24-ICM326HN	65	36-7R3744	56	41-RMH250180	57	78-T7211	48
24-ICM450A	63	36-8S440	56	41-RMH300200	57	78-T725	48
24-ICM450A-PLUS	63	36-10-370440	56	41-RMH325225	57	78-T731	48
24-ICM517	64	36-10R3744	56	41-RMH350250	57	78-T731W	50
24-ICM518	64	36-10S440	56	41-RMH375275	57	78-T731WHO	50
24-ICM530	64	36-12.5S440	56	41-RMH400300	57	78-T731WO	46
24-ICM531	64	36-12-370440	56	41-RMH425325	57	78-T751	46
24-ICM532	64	36-12R3744	56	41-RMH600475	57	78-T755	46
24-ICM533	64	36-15-370440	56	41-RML-520	57	78-T755S	46
24-ICM855	66	36-15R3744	56	41-RML-1025	57	78-T755WHO	50
24-ICM856	66	36-15S440	56	41-RML-1535	57	78-T771	46
24-ICM857	66	36-17-370440	56	41-RML-1555L	57	78-T805	49
24-ICM858	66	36-17R3744	56	41-RML-2045	57	78-T855	49
		36-20-370440	56	41-RML-2580	57	78-T855ISH	49

PART #	PAGE	PART #	PAGE	PART #	PAGE	PART #	PAGE
78-T855SH	49	83-30203	31	230-DC3W	40	230-FB453W	38
82-PW112	33	83-30209	31	230-DC4	40	230-FB454	38
82-PW134	33	83-30213	31	230-DC4W	40	230-FB454B	38
82-PW138	33	83-30280	31	230-DC6	40	230-FB454W	38
82-PW158	33	83-30283	31	230-DC6W	40	230-FB456	38
82-PW178	33	83-30289	31	230-DCLIP	42	230-FB456W	38
82-PW1118	33	83-30293	31	230-DCLIP-10	42	230-FH3-KIT	37
82-PW1138	33	84DCPLUS	28	230-DE3	39	230-FH3W-KIT	37
82-PW1158	33	84-FT-30	34	230-DE3B	39	230-FH4-KIT	37
82-PW1212	33	84-FT-30	34	230-DE3W	39	230-FH4W-KIT	37
82-PW1214	33	84-PS-30	34	230-DE4	39	230-FJ3	41
82-PW1234	33	84-PT-30	34	230-DE4B	39	230-FJ3W	41
82-PW1238	33	92-A8550	102	230-DE4W	39	230-FJ4	41
82-PW1258	33	92-A8555	102	230-DE6	39	230-FLB4	38
82-PW1278	33	92-A8600	89	230-DE6W	39	230-FR3	40
82-PW3412	33	92-A8602	89	230-DPPL	14	230-FR3W	40
82-PW3434	33	92-A8602	89	230-DPPM	14	230-FR4	40
82-PW3438	33	92-A8604	89	230-DSCREW	42	230-FR4W	40
82-PW3458	33	92-A8604	89	230-EB3	38	230-FR6	40
82-PW3478	33	92-A8606	89	230-EB3B	38	230-FR6W	40
82-PW3812	33	92-A8617	102	230-EB3W	38	230-IKC3	41
82-PW3814	33	92-AW12	99	230-EB4	38	230-IKC3W	41
82-PW3834	33	92-AW58	99	230-EB4B	38	230-IKC4	41
82-PW3838	33	93-A7105	89	230-EB4W	38	230-IKC4W	41
82-PW3858	33	230-AFB3	39	230-EB6	38	230-LFB3	38
82-PW3878	33	230-AFB3W	39	230-EB6W	38	230-LFB3B	38
82-PW12118	33	230-AFB4	39	230-EIN3	39	230-LFB3W	38
82-PW12138	33	230-AFB4W	39	230-EIN3B	39	230-LFB4B	38
82-PW12158	33	230-B2L	4	230-EIN3W	39	230-LFB4W	38
82-PW12218	33	230-B2M	4	230-EIN4	39	230-LFB6	38
82-PW12258	33	230-B2XL	4	230-EIN4B	39	230-LFB6W	38
82-PW34118	33	230-B3L	4	230-EIN4W	39	230-MB14W	3
82-PW34138	33	230-B3M	4	230-EIN6	39	230-MB17W	3
82-PW34258	33	230-CP3	39	230-EIN6W	39	230-MB36W	3
82-PW34318	33	230-CP3B	39	230-FB3	37	230-MBCW	3
82-PW38118	33	230-CP3W	39	230-FB3B	37	230-SF3	41
82-PW38138	33	230-CP4	39	230-FB3W	37	230-SF3W	41
82-PW38158	33	230-CP4B	39	230-FB4B	37	230-SF4	41
82-PW38218	33	230-CP4W	39	230-FB4W	37	230-SF4W	41
82-PW38258	33	230-CP6	39	230-FB6	37	230-TC34	40
83-30200	31	230-CP6W	39	230-FB6W	37	230-TC34W	40
83-30201	31	230-DC3	40	230-FB453	38	230-TC46	40
83-30202	31	230-DC3W	40	230-FB453B	38	230-TC46W	40

PART #	PAGE	PART #	PAGE	PART #	PAGE	PART #	PAGE
230-TJ4	41	710-105	36	ACB-42-AL	4	DD-3590	102
230-TJ4B	41	750-NMLT50	43	ACB-48	4	DP-1P30A24	58
230-TJ4W	41	750-NMLT75	43	BF-4701	105	DP-1P30A120	58
230-TJ6	41	750-NMLT9050	43	BF-4706	105	DP-1P30A240	58
230-TJ6W	41	750-NMLT9075	43	BF-4708	105	DP-1P40A24	58
230-WC3	37	750-SLTC50	43	CF-813	98	DP-1P40A120	58
230-WC3B	37	750-SLTC75	43	CF-814	98	DP-1P40A240	58
230-WC3W	37	750-SLTC9050	43	CF-816	98	DP-2P20A24	58
230-WC4	37	750-SLTC9075	43	CF-3726*	98	DP-2P20A120	58
230-WC4B	37	944KIT	24	CF-3732*	98	DP-2P25A24	58
230-WC4W	37	947KIT	24	CF-3733	98	DP-2P25A120	58
230-WC6	37	948KIT	24	CF-3734	98	DP-2P25A240	58
230-WC6W	37	971KIT	24	CF-3735	98	DP-2P30A24	58
230-WR3	40	972KIT	24	CFM	8	DP-2P30A120	58
230-WR3W	40	973KIT	25	CJ-125	11	DP-2P30A240	58
230-WR4	40	980	27	CP-16	12	DP-2P40A24	58
230-WR4W	40	981	26	CP-16-230	12	DP-2P40A120	58
230-WR6	40	984	24	CP-22	12	DP-2P40A240	58
230-WR6W	40	985	22	CP-22-230	12	DP-3P20A24	59
230-WS2	37	990	27	CP-22-230T	12	DP-3P20A120	59
625-AF6	36	991	26	CP-22LP	12	DP-3P20A240	59
625-AF8	36	992	25	CP-22LP-230	12	DP-3P25A120	59
625-AF10	36	993KIT	25	CP-22LP-230-P	12	DP-3P30A24	59
640-AF2	35	995	23	CP-22LP-P	12	DP-3P30A120	59
640-AF3	35	1839015	6	CP-22T	12	DP-3P30A240	59
640-AF25	35	1839015	6	CP-M115	13	DP-3P40A24	59
640-FD2B	35	1839032	7	CP-M230	13	DP-3P40A120	59
640-FD2S	35	1839032	7	CVG1200	9	DP-3P40A240	59
640-FD3S	35	1885391	8	DD-030	105	DP-3P50A24	59
640-FSK3	35	1885391	8	DD-034	103	DP-3P50A120	59
640-UL3	35	1937685	6	DD-035	103	DP-3P50A240	59
640-UL3SP	35	1937685	6	DD-035	127	DP-3P60A24	59
640-UL25	35	1937881	9	DD-036	103	DP-3P60A120	59
710-001	36	1937882	9	DD-044	103	DP-3P60A240	59
710-002	36	1937883	9	DD-045	103	DP-3P75A24	59
710-003	36	1947970	8	DD-046	103	DP-3P75A120	59
710-004	36	1950217	9	DD-3583	102	DP-3P75A240	59
710-005	36	1950536	7	DD-3584	102	DP-3P90A120	59
710-100	36	ACB-30	4	DD-3585	102	DP-3P90A240	59
710-101	36	ACB-30-AL	4	DD-3586	102	DP-4P20A24	60
710-102	36	ACB-36	4	DD-3587	102	DP-4P20A120	60
710-103	36	ACB-36-AL	4	DD-3588	102	DP-4P25A120	60
710-104	36	ACB-42	4	DD-3589	102	DP-4P30A24	60

PART #	PAGE	PART #	PAGE	PART #	PAGE	PART #	PAGE
DP-4P30A120	60	EC-1055318	88	EL3040-2	2	FF-BF-B	4
DP-4P30A240	60	EC-4012309	88	EL3232-2	2	FF-EF-1500-B	4
DP-4P40A24	60	EC-4012543	88	EL3232-3	2	FF-EF-B	4
DP-4P40A120	60	EC-EUBKT01	88	EL3244-3	2	FP-22-230	12
DP-4P40A240	60	EC-FC-1893	104	EL3434-2	2	HPB1701	9
DP-AS1	61	EC-FC-1895	104	EL3636-2	2	HPB1701	9
DP-AS2	61	EC-HE-0147	109	EL3636-3	2	IQP-120	12
DP-AS3	61	EC-HE0147	80	EL3640-2	2	IQP-120T	12
DP-AS4	61	EC-HE-0170	109	EL3640-3	2	ISO-2	3
DP-AS5	61	EC-HE0170	80	EL3648-2	2	ISO-4	3
DP-AS6	61	EC-HE-0176	121	EL3648-3	2	ISO-18	3
DP-AS7	61	EC-HE0176	80	EL3842-2	2	LDHS250	5
DP-AS8	61	EC-HE-0182	121	EL3842-3	2	LDIR150	5
DP-AS9	61	EC-HE0182	80	EL3870-3	2	M1-R52102	92
DP-AS10	61	EC-HE0182	80	EL4040-3	2	M1-R52107	92
EB-1000	11	EC-HE0358	80	EL4558-3	2	M1-R52113	92
EC-4VEA006	88	EC-HE0370	80	EL4848-3	2	M1-R52118	92
EC-4VEA007	88	EE-2511	86	EL5060-3	2	M1-R52126	92
EC-4VEA009	88	EE-2512	86	EL5070-3	2	M1-R52170	115
EC-4VEA010	88	EE-5011	86	EL5252-3	2	M1-R52289	119
EC-4VEA013	88	EE-5012	86	EL5658-3	2	M1-R52294	114
EC-4W115	88	EE-5112	86	EP2424-2	2	M1-R52639	120
EC-4W115V835	88	EE-5211	86	EP2436-2	2	M1-R52761	92
EC-4W115V835	109	EE-5311	86	EP3030-2	2	M1-R52775	136
EC-5W115	88	EE-5411	86	EP3036-2	2	M1-R52820	128
EC-6W115	88	EE-5610	86	EP3232-2	2	M1-R53676*	92
EC-6W230	88	EE-5610	122	EP3636-2	2	M1-R53686*	92
EC-9W115	88	EE-5611	86	EP3636-3	2	M1-R62350	120
EC-9W115V834	88	EE-5611	122	F1012	5	M1-R63116	113
EC-9W115V834	109	EE-5811	86	F1014	5	M2-R21189	129
EC-9W230	88	EE-5821	86	F1034	5	M2-R21853	129
EC-18W115	88	EE-8416	87	F1038	5	M2-R22000	113
EC-18W230	88	EL1838-3	2	F1058	5	M2-R22011	113
EC-34W115	88	EL2424-2	2	F1078	5	M2-R22012	113
EC-34W115-V1543	130	EL2424-3	2	F1100	5	M2-R22017	113
EC-34W115V1543	88	EL2430-2	2	F1516	5	M2-R22036	113
EC-34W230	88	EL2436-2	2	F4000	5	M2-R22152	112
EC-34W230-V1542	130	EL2436-3	2	F5000	5	M2-R22170	129
EC-34W230V1542	88	EL2448-3	2	F6000	5	M2-R22180	119
EC-1055223	88	EL2626-2	2	F6000	5	M2-R22247	120
EC-1055224	88	EL3030-2	2	FB-RFB902	128	M2-R22307	129
EC-1055303	88	EL3030-3	2	FF-BF-1500-B	4	M2-R22401	96
		EL3036-2	2	FF-BF-B	4	M2-R22401	130

PART #	PAGE	PART #	PAGE	PART #	PAGE	PART #	PAGE
M2-R22402	96	M2-R30409	125	M4-R742	118	M5-S1506A	106
M2-R22402	130	M2-R30900	125	M4-R743	118	M5-S1506A	114
M2-R22403	96	M2-R31014	112	M4-R799	104	M5-S1507A	106
M2-R22404	96	M2-R31065	125	M4-R799	132	M5-S1507A	114
M2-R22405	96	M2-R31710	99	M4-R1050	133	M5-S1510	118
M2-R22408	96	M2-R31712	99	M4-R2155	121	M5-S7301	128
M2-R22410	96	M2-R31716	99	M4-R2156	121	M5-S7401	128
M2-R22412	96	M2-R31718	99	M4-R2157	121	M5-T1532	106
M2-R22415	96	M2-R31862	132	M4-R2158	121	M5-T1532	111
M2-R22418	96	M2-R31864	132	M4-R2189	70	M5-T1534	106
M2-R22420	96	M2-R32036	113	M4-R2189	104	M5-T1536	106
M2-R22422	96	M2-R32050	114	M4-R2269	124	M5-T1536	117
M2-R22425	96	M2-R32050	116	M4-R2324	108	M5-T1538*	106
M2-R22428	96	M2-R32050	128	M4-R2324	128	M5-T1539	106
M2-R22430	96	M2-R32050	136	M4-R2339	119	M5-T1542*	106
M2-R22435	96	M2-R32051	114	M4-R2362*	92	M5-T2158	118
M2-R22437	129	M2-R32051	116	M4-R2372	131	M5-T2166	118
M2-R22438	96	M2-R32051	128	M4-R2381*	92	M5-T2532	110
M2-R22444	129	M2-R32051	136	M4-R2580	119	M5-T2536	107
M2-R22600	97	M2-R32058	136	M4-R2601	131	M5-T2536	110
M2-R22600	97	M2-R32117	128	M4-R2605	89	M5-T2537	107
M2-R22601	97	M2-R32184	136	M4-R2622	108	M5-T2537	110
M2-R22601	97	M2-R32217	127	M4-R2634	92	M5-T2537	111
M2-R22602	97	M2-R32237	109	M4-R2635	92	M5-T2538	107
M2-R22602	97	M2-R32251	120	M4-R2655	128	M5-T2538	123
M2-R22603	97	M2-R32511	136	M4-R2691	109	M5-T2538	125
M2-R22603	97	M2-R32716	136	M4-R2693	92	M5-T2538	133
M2-R22605	97	M2-R32957	136	M4-R2722	95	M5-T2539	107
M2-R22605	97	M2-R33400	112	M4-R2723	95	M5-T2539	110
M2-R22746	110	M2-R33401	112	M4-R2724	95	M5-T2539	111
M2-R22844	113	M2-R33402	112	M4-R2930	94	M5-T2540	107
M2-R22983	133	M2-R35301	113	M4-R2932	94	M5-T2540	123
M2-R23103	129	M2-R35453	112	M4-R2940	94	M5-T2540	125
M2-R23238	136	M2-R38041	127	M4-R2942	94	M5-T2540	133
M2-R23294	136	M2-R42440	113	M4-R2981	112	M5-T2541	115
M2-R23465	100	M3-R2603	89	M5-S1453	114	M5-T2542	107
M2-R23465	100	M3-R2604	89	M5-S1454	125	M5-T2542	133
M2-R23468	100	M3-R2609	124	M5-S1454	133	M5-T2543	107
M2-R23468	100	M3-R2612	124	M5-S1455	114	M5-T2543	133
M2-R23469	100	M3-R2657	124	M5-S1456	133	M5-T2544	107
M2-R23469	100	M3-R2658	125	M5-S1502	111	M5-T2544	110
M2-R25100	136	M4-R740	119	M5-S1502	117	M5-T2545	107
M2-R25119	136	M4-R741	136	M5-S1504	111	M5-T3537	126

PART #	PAGE	PART #	PAGE	PART #	PAGE	PART #	PAGE
M5-T3572	126	O4-R5011	85	O4-R5612	83	O6-R511	110
MP-2	3	O4-R5011	116	O4-R5612	122	PC-600-B	35
MP-2C	3	O4-R5012	85	O4-R5711	87	PC-600-S	35
MP-2E	3	O4-R5012	116	O4-R5711	87	PC-609-B	35
MP-3	3	O4-R5021	85	O4-R5711	121	PC-609-S	35
MP-3C	3	O4-R5022	85	O4-R5711	122	PC-622-B	35
MP-3E	3	O4-R5022	116	O4-R5711	126	PC-622-S	35
MP-4	3	O4-R5022	131	O4-R5715	87	PC-857	35
MP-4C	3	O4-R5031	85	O4-R5715	87	PF-08	27
MP-4E	3	O4-R5031	116	O4-R5715	126	PF-16	27
MP-6	3	O4-R5032	85	O4-R5715	134	PF-ADAPTER	27
MP-6C	3	O4-R5032	116	O4-R5716	87	PF-IGUN	27
MP-6E	3	O4-R5109	83	O4-R5730	87	PF-IHOSE	27
MP-8	3	O4-R5112	85	O4-R5730	87	PF-KIT	27
MP-12	3	O4-R5112	131	O4-R5811	84	PRO-BLUE	29
MP-12C	3	O4-R5122	85	O4-R5811	134	PRO-BLUE-1SHOT	29
MP-12E	3	O4-R5122	131	O4-R5812	84	PRO-BLUE-4X	29
MP-18	3	O4-R5211	83	O4-R5821	84	PRO-BLUE-32	29
MP-18E	3	O4-R5211	131	O4-R5822	84	PRO-BLUE-AER	29
MP-18E	3	O4-R5212	83	O4-R5911	83	PRO-BROWN	30
MSB-360-KIT	10	O4-R5221	83	O4-R5911	116	PRO-BROWN-AER	30
MSB-KIT	10	O4-R5222	83	O4-R5911	121	PROCP-16*	13
MSB-KIT-XL	10	O4-R5311	83	O4-R6243	83	PROCP-16-230*	13
O3-RF2466	122	O4-R5311	116	O4-R6247	83	PROCP-22S	13
O4-R1211	82	O4-R5311	131	O4-R6247	117	PROCP-22S-230	13
O4-R1211	83	O4-R5312	83	O4-R6365	72	PROCP-22ST	13
O4-R2011	84	O4-R5411	83	O4-R6370	72	PROCP-22ST-230	13
O4-R2011	122	O4-R5411	116	O4-R6375	72	PROCP-46	13
O4-R2511	84	O4-R5411	121	O4-R6380	72	PROCP-46-230	13
O4-R2512	84	O4-R5411	131	O4-R6385	72	PRO-GREEN	29
O4-R3511	84	O4-R5411	134	O4-R6711	71	PRO-GREEN-1SHOT	29
O4-R3511	116	O4-R5412	83	O4-R6711	122	PRO-GREEN-4X	29
O4-R3511	122	O4-R5421	83	O4-R6712	71	PRO-GREEN-32	29
O4-R3511	131	O4-R5421	116	O4-R8125	71	PRO-GREEN-AER	29
O4-R3512	84	O4-R5421	131	O4-R9211	122	PRO-RED+	30
O4-R3512	116	O4-R5422	83	O6-R230	90	PRO-RED-1SHOT	30
O4-R3512	131	O4-R5443	72	O6-R230	115	PRO-RED-4X	30
O4-R3521	84	O4-R5444	72	O6-R260	89	PRO-YELLOW	30
O4-R3522	84	O4-R5460	85	O6-R262	89	QSMS1201	4
O4-R3531	84	O4-R5460	116	O6-R264	89	QSMS1201	4
O4-R3531	116	O4-R5472	69	O6-R265	89	QSMS1201-AL	4
O4-R3612	84	O4-R5611	83	O6-R266	89	QSMS1201-SS	4
O4-R3612	131	O4-R5611	122	O6-R267	89		

PART #	PAGE	PART #	PAGE	PART #	PAGE	PART #	PAGE
QSMS1801	4	R3-R205	90	R4-R3012	123	R7-RB20	89
QSMS1801-AL	4	R3-R302	109	R4-R3047	117	R7-RB22	89
QSMS1801-SS	4	R3-R313	110	R4-R3067	121	R7-RB24	89
QSMS2401	4	R3-R313	90	R4-R3124	117	R7-RB25	89
QSMS2401-AL	4	R3-R313	111	R4-R6128	117	R7-RB26	89
QSMS2401-SS	4	R3-R313	126	R4-R6129	117	R7-RB28	89
QSPR1000	4	R3-R314	110	R6-R32317	109	R7-RB30	89
QSPR1000	4	R3-R314	91	R6-R42310	127	R7-RB109	128
QSWB1000	4	R3-R314	111	R6-R42415	113	R7-RB141	118
QSWB2000	4	R3-R314	126	R6-R42464	125	RSW220	6
QSWB2000SS	4	R3-R316	108	R6-R42526	113	RSWL220	6
QSWB3000	4	R3-R326	90	R6-R42540	113	S1012	5
QSWB4000	4	R3-R326	109	R6-R42604	99	S1014	5
QSWB4000SS	4	R3-R326	110	R6-R42604	133	S1034	5
QUIETMINI-M	13	R3-R348	135	R6-R42605	99	S1038	5
QUIETMINI-I	13	R3-R358	90	R6-R42605	133	S1058	5
R1-R101	82	R3-R358	110	R6-R42606	99	S1078	5
R1-R101	119	R3-R358	111	R6-R42606	133	S1516	5
R1-R101	122	R3-R359	91	R6-R42607	99	S1806	5
R1-R101L	82	R3-R359	110	R6-R42607	133	S1808	5
R1-R101L	122	R3-R359	111	R6-R42652	114	S1810	5
R1-R103	82	R3-R360	90	R6-R42686	130	S1812	5
R1-R103	119	R3-R360	124	R6-R42702	127	S4000	5
R1-R103	122	R3-R366	135	R6-R42859	130	S5000	5
R1-R103L	122	R3-R368	90	R6-R42873	130	S6000	5
R1-R108	82	R3-R368	130	R6-R43103	130	S6000	5
R1-R108	123	R3-R369	91	R6-R43238	136	SC-CB	10
R1-R114	82	R3-R369	130	R6-R43241	136	SC-CS-TABS	11
R1-R122	82	R3-R370	90	R6-R43404	113	SC-CS-WAND	11
R1-R122	115	R3-R370	124	R6-R43463	100	SC-FCC-1	11
R1-R122	119	R3-R371	91	R6-R43464	100	SC-FCC-5	11
R1-R124	82	R3-R371	124	R6-R43466	100	SG-1	10
R1-R124	118	R3-R373	135	R6-R43467	100	SGC-12	10
R1-R125	82	R3-R376	93	R6-R43600	101	SGC-12	10
R1-R125	118	R3-R376	93	R6-R43601	101	T1-R605	110
R1-R127	82	R3-R1052	90	R6-R43602	101	T1-R605	134
R1-R127	119	R3-R1052	110	R6-R43603	101	T1-R606	120
R1-R128	82	R3-R1052	124	R6-R46230	114	T1-R607	120
R1-R128	115	R3-R1053	91	R6-R46460	114	T1-R611	123
R1-R137	82	R3-R1053	110	R6-R46651	114	T1-R621	117
R1-R137	115	R3-R1053	124	R6-R48008	113	T1-R630	89
R2-R422	135	R4-R3001	121	R6-R48609	127	T1-R1014	109
R2-R462	135	R4-R3009	123	R6-R49983	123	TRIPLE-D	28
R3-R130	111	R4-R3011	122	R7-RB11	128	TRIPLE-D-1SHOT	28

PART #	PAGE	PART #	PAGE
TRIPLE-D-1SHOT	28	UE-9634	126
TRIPLE-D-4X	28	UE-9650	112
TRIPLE-D-32	28	UE-H978	106
TRIPLE-D-AER	28	UE-H978	114
TRIPLE-D-RTU	28	UE-H979	114
U3870-3	2	UE-H980	114
UC1636-3	2	US-R90572	90
UC1838-3	2	US-R90572	111
UC2424-3	2	US-R90572	121
UC2430-3	2	US-R90574	90
UC2436-3	2	US-R90574	121
UC2448-3	2	US-R90574	126
UC2626-3	2	US-R90575	91
UC3030-3	2	US-R90575	121
UC3036-3	2	US-R90575	126
UC3040-3	2	US-R90671	91
UC3132-3L	2	US-R90671	120
UC3232-3	2	US-R90672	91
UC3237-3	2	US-R90672	120
UC3445-3	2	US-R90721	91
UC3636-3	2	US-R90721	93
UC3642-3	2	US-R90721	111
UC3648-3	2	US-R90721	121
UC3842-3	2	US-R90721	126
UC4040-3	2	US-R91189	91
UE-89	92	US-R91189	126
UE-174A	117		
UE-435A	130		
UE-442C	127		
UE-513A	112		
UE-570	112		
UE-580	112		
UE-795A	129		
UE-981	131		
UE-9403	127		
UE-9405	127		
UE-9406A	127		
UE-9484	127		
UE-9485	127		
UE-9487	131		
UE-9488	131		
UE-9625	112		
UE-9626	112		

