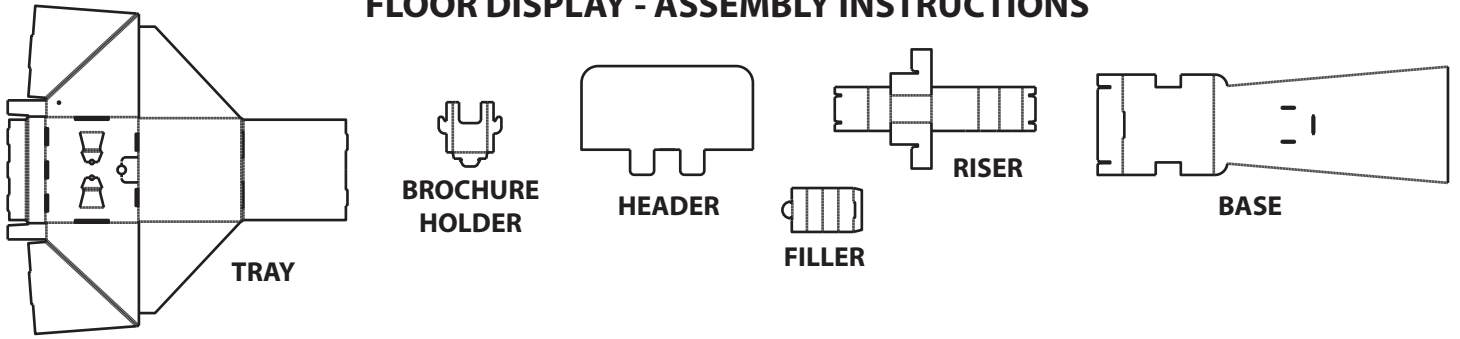
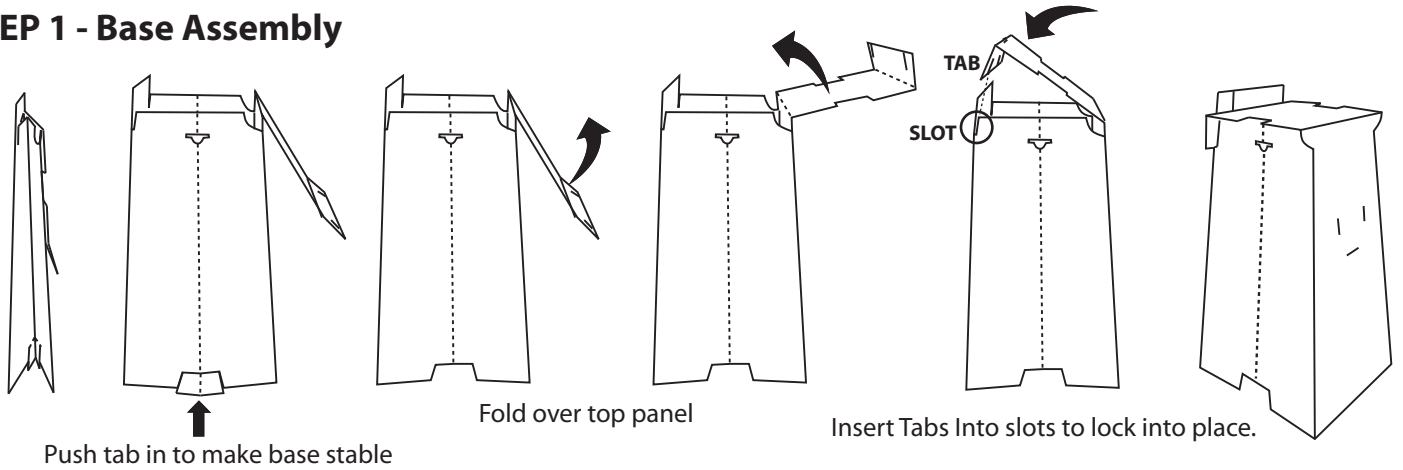


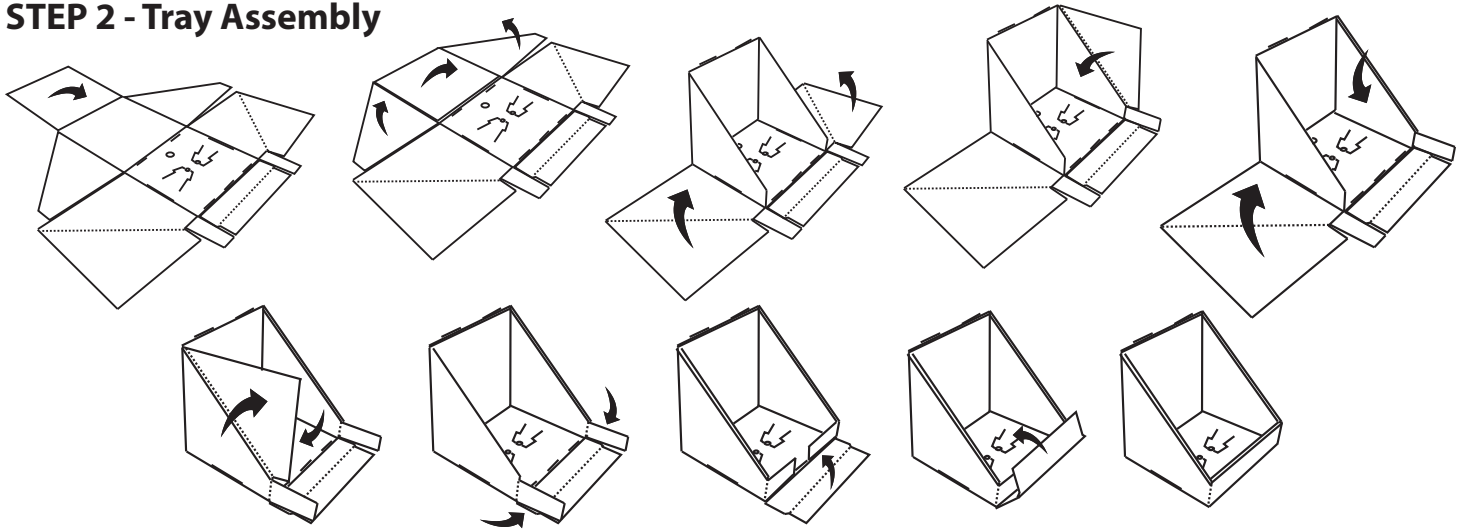
FLOOR DISPLAY - ASSEMBLY INSTRUCTIONS



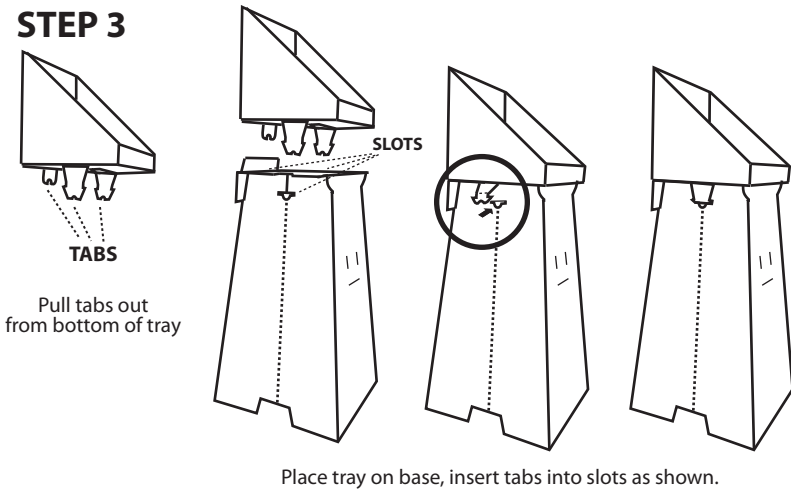
STEP 1 - Base Assembly



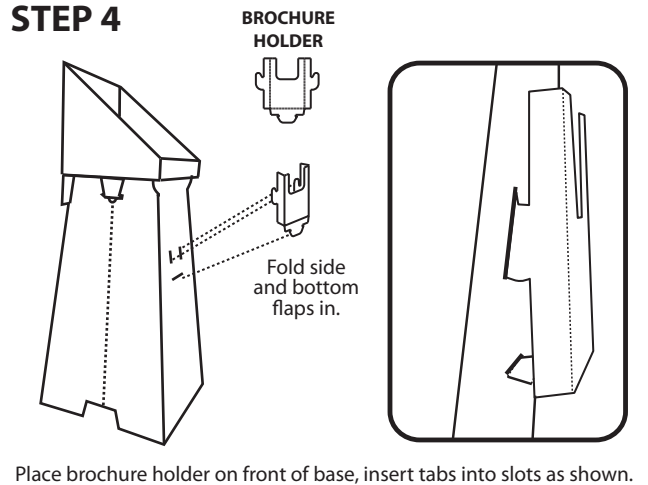
STEP 2 - Tray Assembly



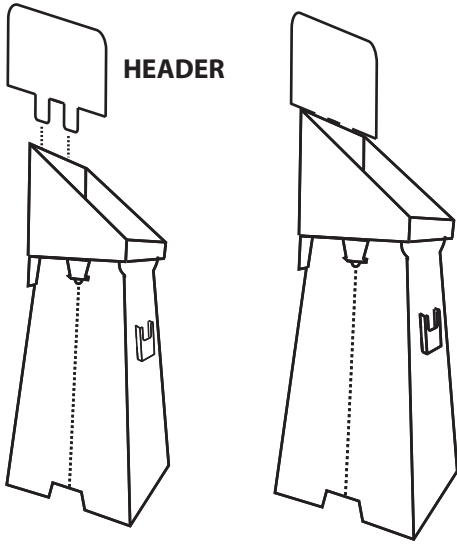
STEP 3



STEP 4

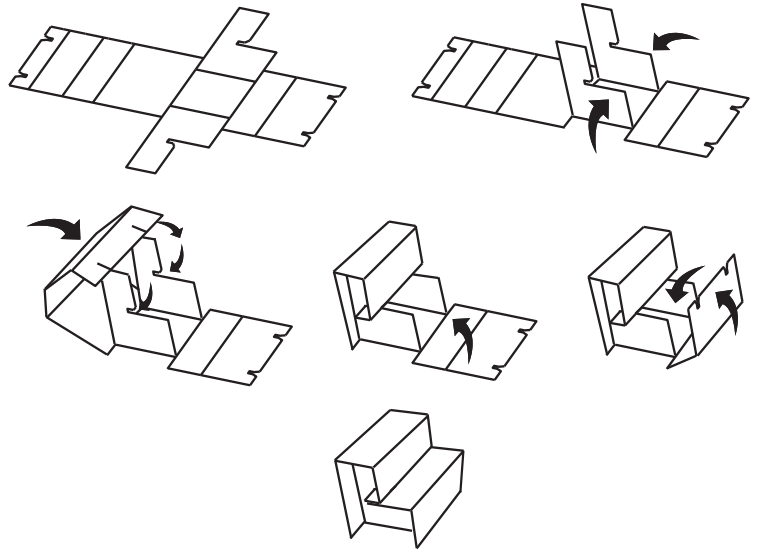


STEP 5

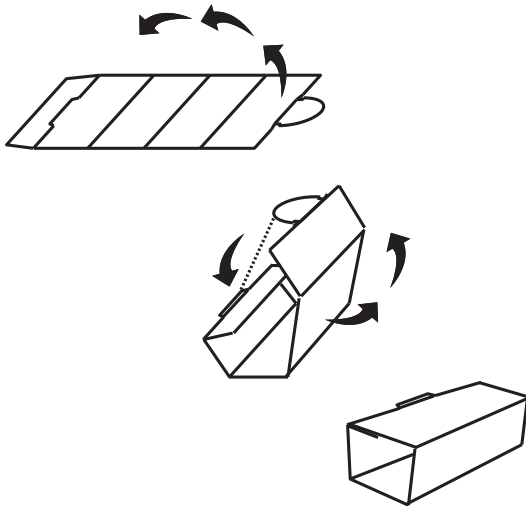


Place header tabs into top slots of tray

STEP 6 - Riser Assembly

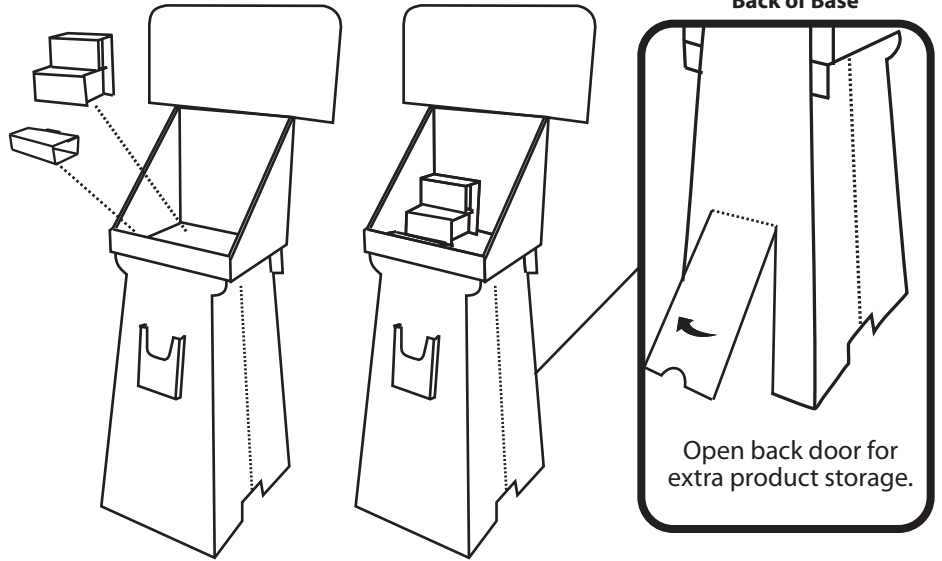


STEP 7 - Filler Assembly



Place tab into slot to lock in to place.

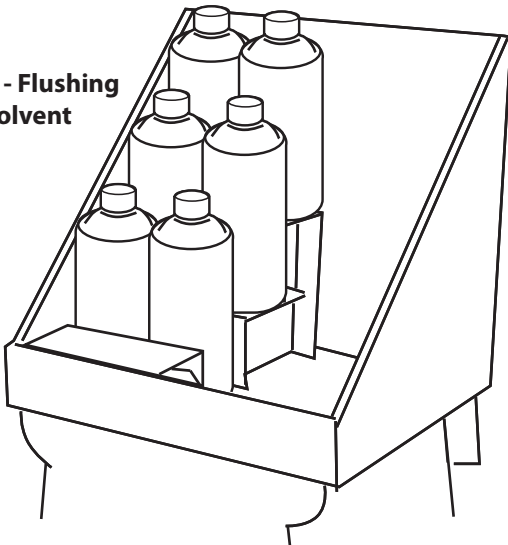
STEP 8 - Riser & Filler Placement



Note- placement of filler will be up against the front wall, and the Riser will be placed against the back wall.

STEP 9 - Product Placement

6 Per - Flushing Solvent



3 Per - HVAC Flush Kits

