

NOTES

MATERIAL: 20 ga SHEET STEEL

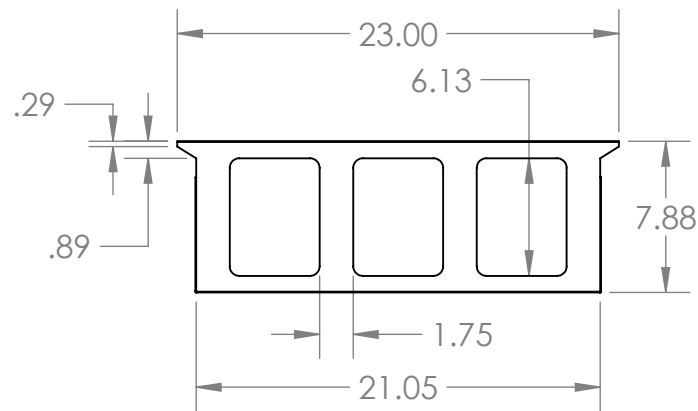
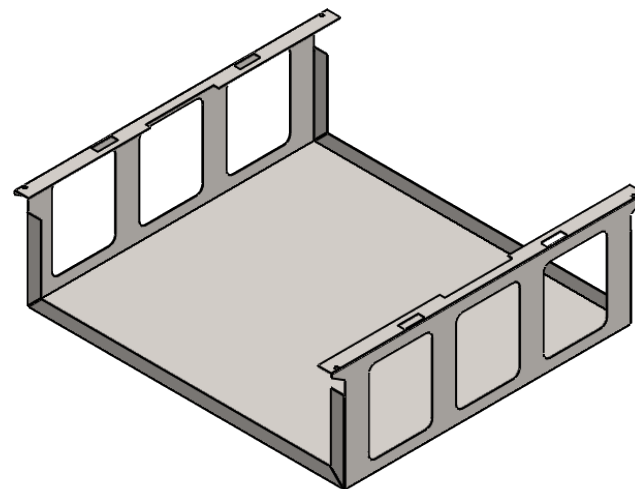
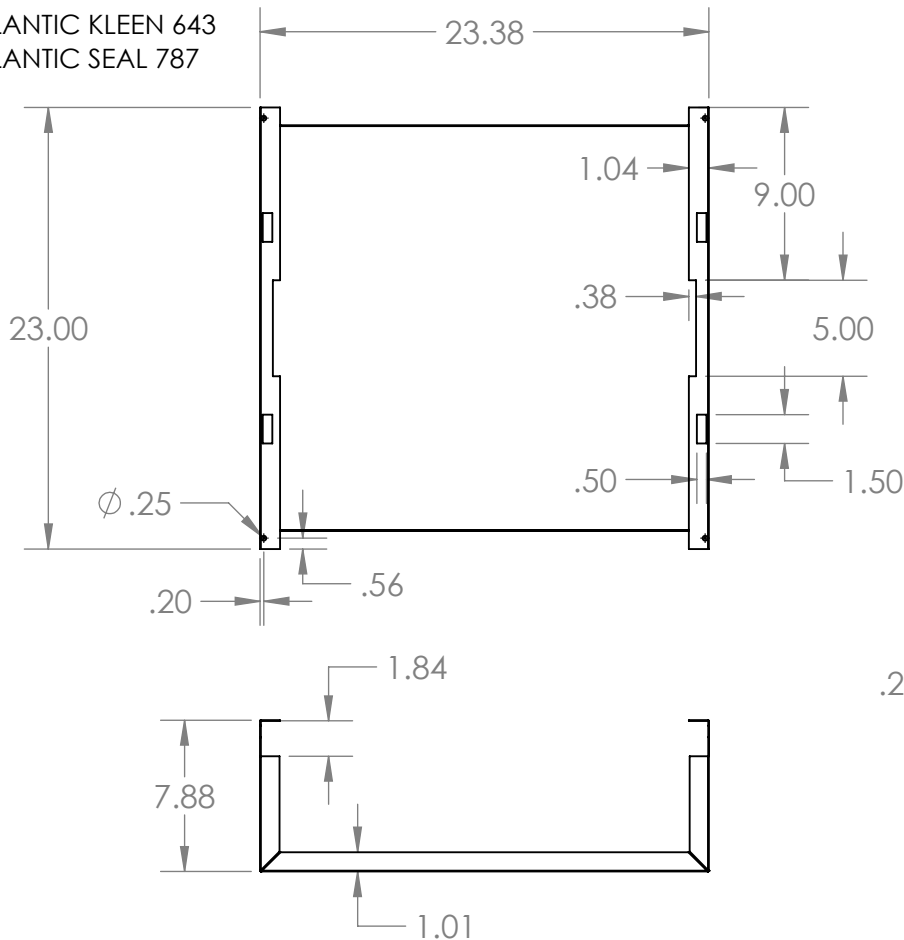
COLOR: RAL7044

TEXTURE: POWDER COAT

OTHER NOTES: PRE-TREAT

1. ATLANTIC KLEEN 643

2. ATLANTIC SEAL 787



ALL DRAWINGS AND WRITTEN MATERIAL CONTAINED HEREIN ARE THE PROPERTY OF DIVERSITECH CORP AND MAY NOT BE DUPLICATED OR DISCLOSED AT ANY TIME UNLESS APPROVED IN WRITING BY DIVERSITECH CORP

UNLESS OTHERWISE SPECIFIED DIMENSIONS & TOLERANCES ARE IN INCHES / [mm]

MATERIAL: SEE NOTES
FINISH: SEE NOTES



TITLE

SIZE

WIND BAFFLE 23-3/8"

A

DO NOT SCALE

THIRD ANGLE PROJECTION



	NAME	DATE
DRAWN	dschlender	27 Sep 18
ENG APPR.		
MFG APPR.		

DRAWING NUMBER REVISION

QSBF-PA05

SCALE: 1:10 WT. (lbs): 7.7 SHEET 1 OF 1

INTERPRET THIS DRAWING IN ACCORDANCE WITH ASME Y14.5-2009 DIMENSIONING AND TOLERANCING STANDARDS