

AC SECURITY CAGES

Installation Instructions



CG-U-S
CG-U-M
CG-U-L

DiversiTech's AC Security Cages can be installed either around wall-mounted or ground-mounted equipment. The product is shipped with all required components for both applications. The installation procedure is identical for CG-U-S, CG-U-M and CG-U-L, as they only differ in their height. Optional pad locks can be purchased separately. See page 4 for lock size specifications.

Dimensions

		Dimensions						
		External Outlines			Internal Dimensions			
Item No.	Size	Height	Width	Depth	Height	Width	Depth	Weight
CG-U-S	Small	27.6"	41.5"	23.6"	26.4"	40.3"	22.4"	30 Lbs.
CG-U-M	Medium	45.3"	41.5"	23.6"	44.1"	40.3"	22.4"	40 Lbs.
CG-U-L	Large	63.0"	41.5"	23.6"	61.8"	40.3"	22.4"	50 Lbs.

Content

Part	Description	Quantity
A	Front/Back Panel	2
B	Side Panel	2
C	Top panel	1
D	Wall Frame	1
E	Feet	4
F	Wall Anchor Bolts	8
G	M8 Course Screw - 25mm	8
H	M6 Course Screw - 20mm	4
I	Washer	8
J	Lower Wall Frame	1
K	Allen Wrench - Size 5/32	1
L	Allen Wrench - Size 3/16	1

Assembly Overview

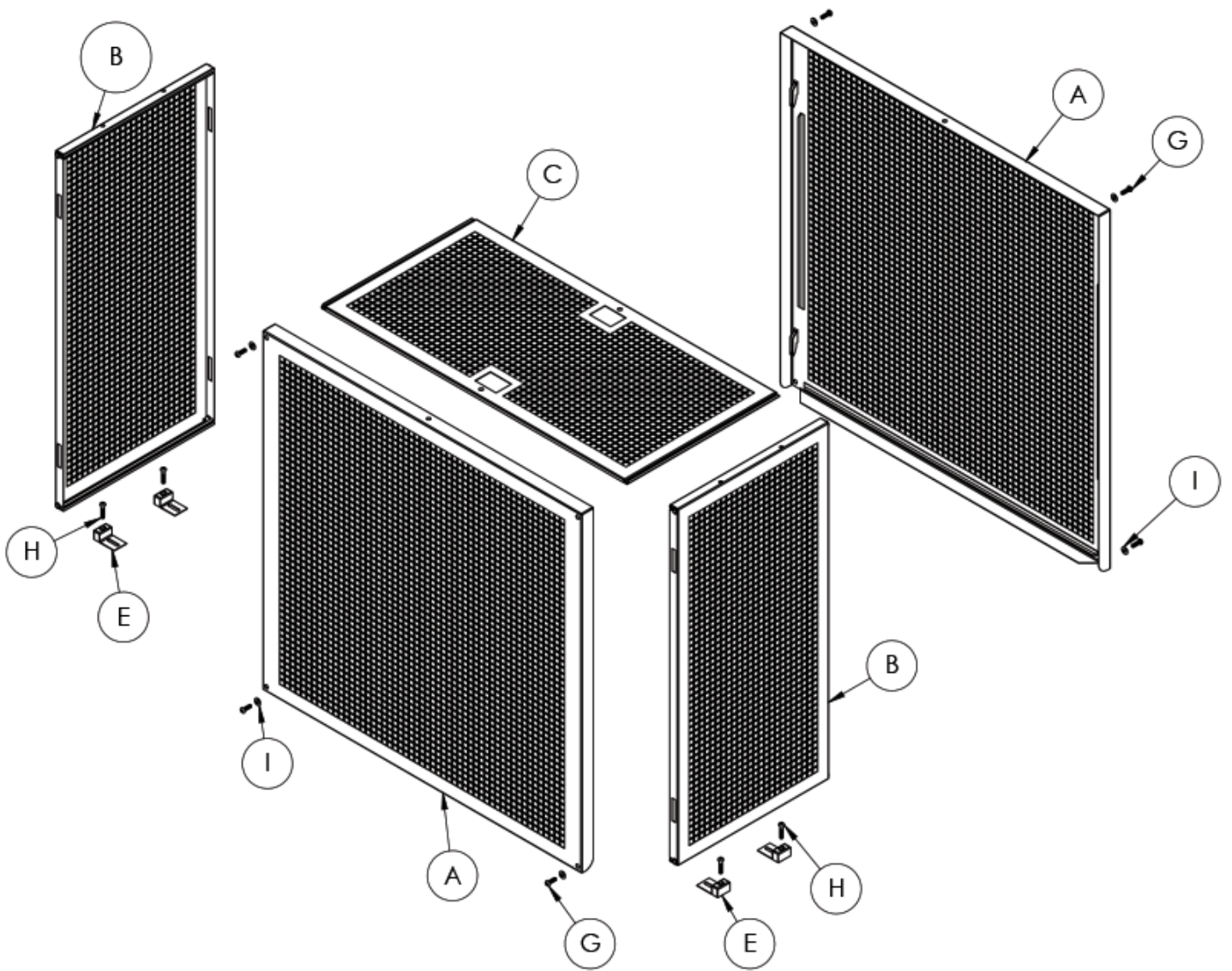


Figure 1 Ground Installation

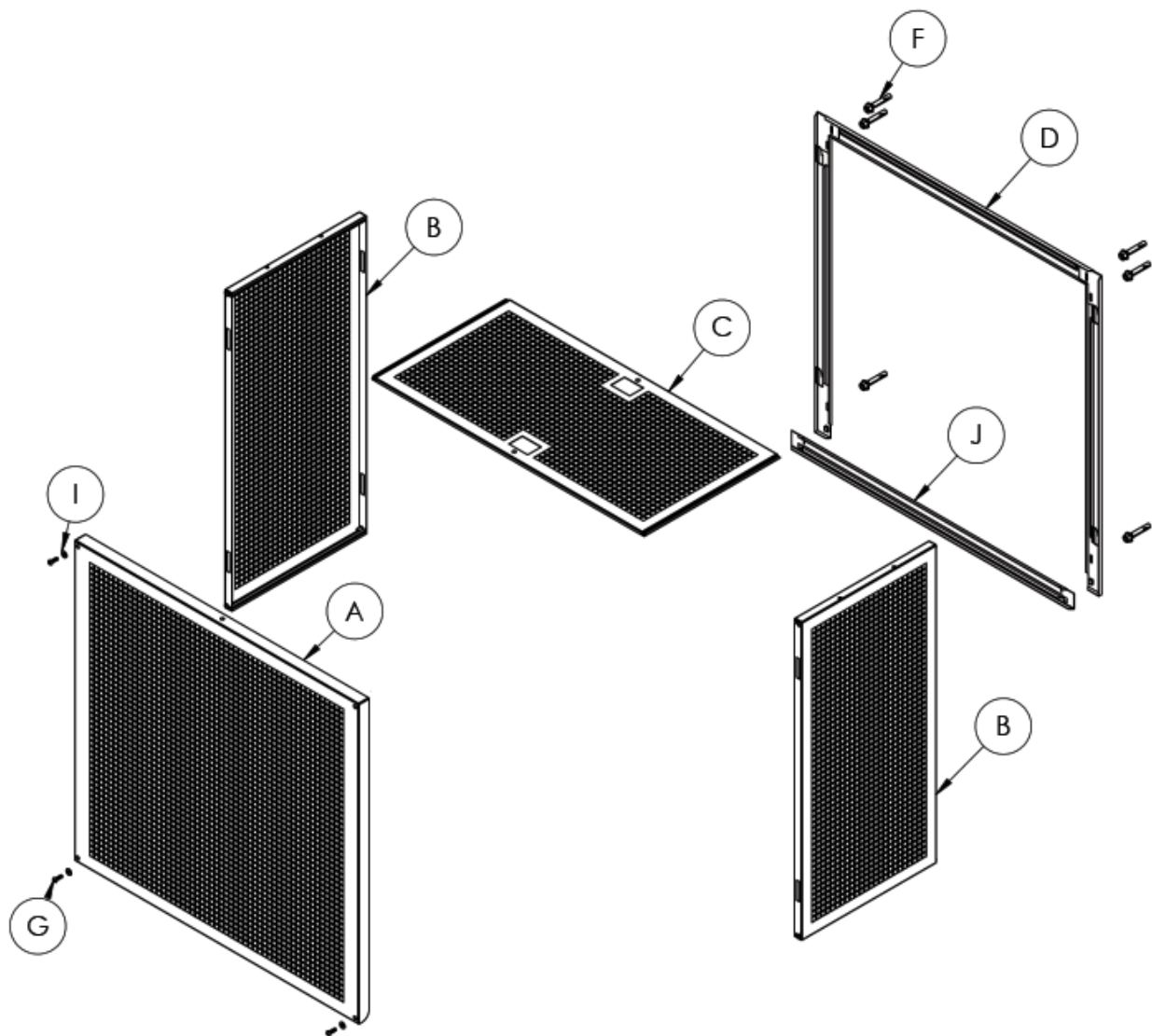


Figure 2 Wall Installation

Guidance on Installation

1. The purpose of this product is to protect the equipment against reasonable levels of vandalism and accidental damage.
2. Whilst this product is sufficiently robust for its purpose, it is not designed to be load-bearing, and should not be used to support excessively heavy items.
3. Where possible, this product should be installed at the same time as the condensing unit.
4. Where a guard is fitted retrospectively, the location of supply services may hinder installation, and it is expected that parts of the guard structure may have to be removed to facilitate the installation. In these cases, care must be taken to ensure that the rigidity of the structure is not compromised.

Step-by-Step Instructions

1. Only for wall installation:
 - A. Place the wall frame in the required location and mark the wall for the mounting holes.
 - B. The wall frame must be attached to the wall at 6 (CG-U-S) or 8 (CG-U-M, CG-U-L) positions.
 - C. Drill holes in the wall in the locations marked, and insert the wall anchor bolts F into the holes drilled.
 - D. Attach the lower wall frame J to the main wall frame D.
 - E. Hook the wall frame D onto the anchor bolts F and tighten the nuts to secure.

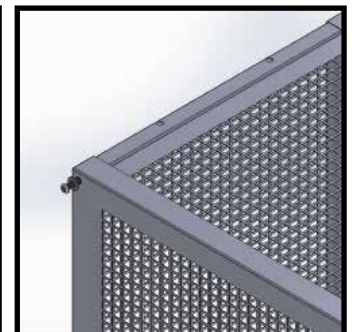
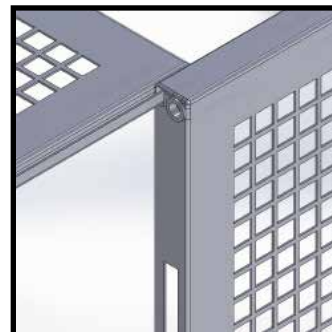
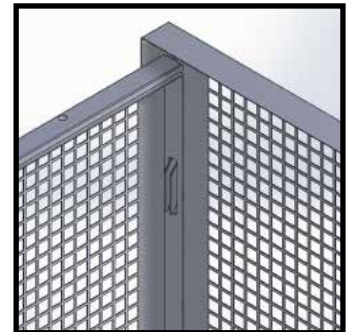
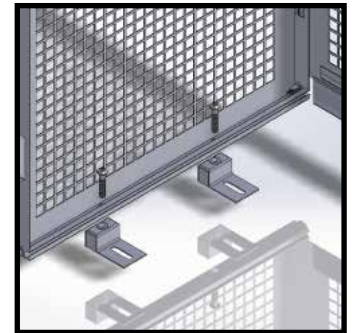
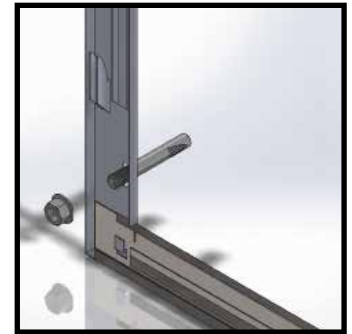
2. Only for ground installation:
 - A. Attach the feet E to the side panels B using screws H.

3. Slide side panels B with their slot onto the dedicated hooks of the back panel A at ground installation, or the wall frame D at wall installation.

4. When installing on ground additionally connect the back panel A with the side panels B by tightening 4 of the screws G.

5. Slide in the top panel C in the designated rail slots of the side panels B. Ensure the top panel to be completely inserted.

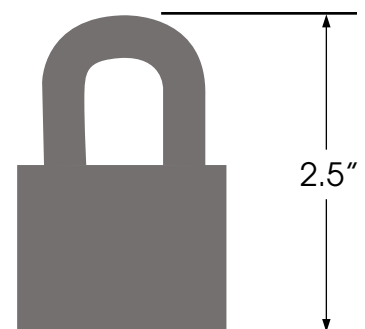
6. Slide the front panel A with its hooks into the slots of the side panels B until it is fully latched. Insert and tighten the remaining 4 screws G in the dedicated holes.



Securing the AC Security Cages with a padlock

The 2 holes and rectangular openings of the top panel are allowing the installation of padlocks to prevent disassembly by unauthorized persons. Therefore, put the body of the open lock through the rectangular opening and the shackle of the lock through the hole.

The maximum height (body and shackle) of the padlock must not exceed 2.5" to guarantee access to the locking mechanism. Before finally closing the padlock ensure that the locking mechanism can be accessed through the rectangular opening afterwards.



Maintenance

These cages are designed to allow quick and easy access for maintenance of the condensing unit. Simply reverse Steps 6 and 5 to obtain complete access to the condensing unit.



6650 Sugarloaf Parkway
Duluth, Georgia 30097
800.995.2222
www.diversitech.com

DOC147385