

## D90 & D90Q Relays

### Product

General Purpose Relays

### Features

- Quick-connect terminals
- Universal mounting
- Break-away tabs
- UL recognized
- 1-year warranty



D90-293Q



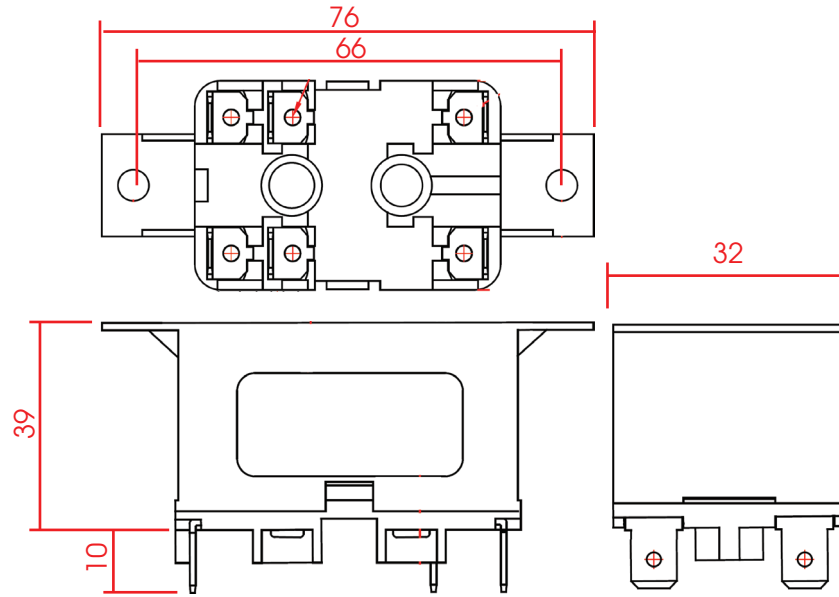
Top Oblique View



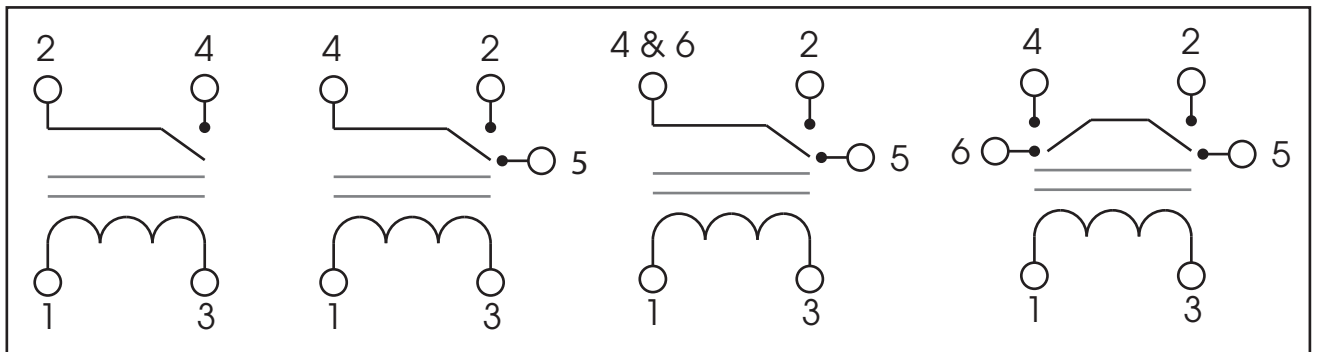
Bottom Oblique View

ITEM NO.	SWITCH TYPE	CONTACT CONFIGURATION	COIL SIDE		SWITCHED SIDE		MOUNTING TYPE	DIMENSIONS (in) (DxWxH)	WEIGHT (LBS)
			COIL VOLTAGE (VAC)	FREQUENCY (Hz)	FLA (A) (FULL LOAD AMPS)	LRA (A) (LOCKED ROTOR AMPS)			
D90-290Q	SPST-NO	A	24	50/60	14 @ 125V 8 @ 250V	60 @ 125V 25 @ 250V	Universal	3 x 2 x 1.75	0.2
D90-291Q			120						
D90-292Q			240						
D90-293Q	SPDT	B	24						
D90-294Q			120						
D90-295Q			240						
D90-360	SPST-NO	A	24	50/60	14 @ 125V 8 @ 250V	84 @ 125V 48 @ 250V	Universal	3 x 2 x 1.75	0.2
D90-362			120						
D90-370	SPDT	C	24						
D90-372			120						
D90-380	SPST-NO+NC	D	24						
D90-382			120						
D90-384			240						
								3 x 2.9 x 1.6	
								3 x 2 x 1.75	

## Diagrams



Overall Dimensions (mm)



SPST-NO  
Config. A

SPDT  
Config. B

SPDT  
Config. C

SPST (NO+NC)  
Config. D