

**Product Family**

Motor Start Capacitor Family

**Features**

- Variable Capacitance
- Plastic housing

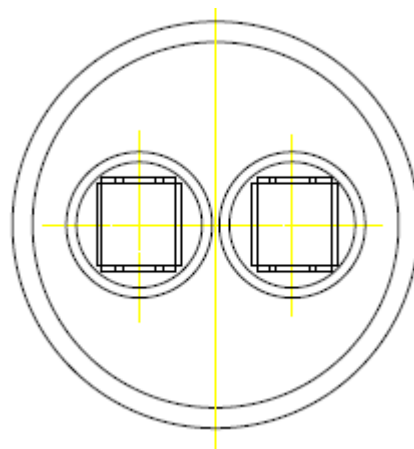
**Specifications**

**Certifications:**

UL Recognized

**Warranty:**

1 year



**Simplify The Way You Work**

6650 Sugarloaf Parkway, Duluth, GA 30097 Phone: 800-955-2222 Fax: 678-542-3700 www.diversitech.com

© 2016 Diversitech Corporation

All rights reserved.

STOCK NO	Description	Voltage	Hertz	µF	Dimensions (in)	Weight
43-53220	Motor start capacitor, 220/250VAC, 43-53µF, 1.437in.dia x 3.365in.h	220/250 VAC	50-60Hz	43-53µF	Dia = 1.437, H = 3.365	0.2 lbs
56-72	Motor start capacitor, 110/125 VAC, 56-72µF, 1.437in.dia x 2.75in.h	110/125 VAC	50-60Hz	56-72µF	Dia = 1.437, H = 2.75	0.19 lbs
56-72220	Motor start capacitor, 220/250VAC, 56-72µF, 1.437in.dia x 2.75in.h	220/250 VAC	50-60Hz	56-72µF	Dia = 1.437, H = 2.75	0.2 lbs
72-88220	Motor start capacitor, 220-250VAC, 72-88µF, 1.812in.dia x 3.365in.h	220/250 VAC	50-60Hz	72-88µF	Dia = 1.812, H = 3.365	0.4 lbs
72-88330	Motor start capacitor, 330VAC, 72-88µF, 1.812in.dia x 3.365in.h	330VAC	50-60Hz	72-88µF	Dia = 1.812, H = 3.365	0.34 lbs
88-108	Motor start capacitor, 110/125 VAC, 88-108µF, 1.437in.dia x 2.75in.h	110/125 VAC	50-60Hz	88-108µF	Dia = 1.437, H = 2.75	0.18 lbs
88-108220	Motor start capacitor, 220/250VAC, 88-108µF, 1.812in.dia x 3.37in.h	220/250 VAC	50-60Hz	88-108µF	Dia = 1.812, H = 3.37	0.2 lbs
88-108330	Motor start capacitor, 330VAC, 88-108µF, 1.812in.dia x 3.37in.h	330VAC	50-60Hz	88-108µF	Dia = 1.812, H = 3.37	0.4 lbs
108-130	Motor start capacitor, 110/125 VAC, 108-130µF, 1.437in.dia x 2.75in.h	110/125 VAC	50-60Hz	108-130µF	Dia = 1.437, H = 2.75	0.16 lbs
108-130220	Motor start capacitor, 220/250VAC, 108-130µF, 1.812in.dia x 3.37in.h	220/250 VAC	50-60Hz	108-130µF	Dia = 1.812, H = 3.37	0.4 lbs
108-130330	Motor start capacitor, 330VAC, 108-130µF, 2.06in.dia x 4.35in.h	330VAC	50-60Hz	108-130µF	Dia = 1.812, H = 3.37	0.6 lbs
124-156	Motor start capacitor, 110/125 VAC, 124-156µF, 1.437in.dia x 2.75in.h	110/125 VAC	50-60Hz	124-156µF	Dia = 1.437, H = 2.75	0.2 lbs
124-156220	Motor start capacitor, 220/250VAC, 124-156µF, 1.812in.dia x 3.37in.h	220/250 VAC	50-60Hz	124-156µF	Dia = 1.812, H = 3.37	0.4 lbs
124-156330	Motor start capacitor, 330VAC, 124-156µF, 2.062in.dia x 4.37in.h	330 VAC	50-60Hz	124-156µF	Dia = 2.062, H = 4.37	0.6 lbs
145-175	Motor start capacitor, 110/125 VAC, 145-175µF, 1.437in.dia x 2.75in.h	110/125 VAC	50-60Hz	145-175µF	Dia = 1.437, H = 2.75	0.2 lbs
145-175220	Motor start capacitor, 220/250VAC, 145-175µF, 1.812in.dia x 3.37in.h	220/250 VAC	50-60Hz	145-175µF	Dia = 1.812, H = 3.37	0.2 lbs
145-175330	Motor start capacitor, 330VAC, 145-175µF, 2.062in.dia x 4.37in.h	330 VAC	50-60Hz	145-175µF	Dia = 2.062, H = 4.37	0.4 lbs
161-193	Motor start capacitor, 110/125 VAC, 161-193µF, 1.437in.dia x 2.75in.h	110/125 VAC	50-60Hz	161-193µF	Dia = 1.437, H = 2.75	0.2 lbs
161-193220	Motor start capacitor, 220/250VAC, 161-193µF, 1.812in.dia x 4.37in.h	220/250 VAC	50-60Hz	161-193µF	Dia = 1.812, H = 4.37	0.4 lbs
161-193330	Motor start capacitor, 330VAC, 161-193µF, 2.062in.dia x 4.37in.h	330 VAC	50-60Hz	189-227µF	Dia = 2.062, H = 4.37	0.62 lbs
189-227	Motor start capacitor, 110/125 VAC, 189-227µF, 1.437in.dia x 2.75in.h	110/125 VAC	50-60Hz	189-227µF	Dia = 1.437, H = 2.75	0.2 lbs
189-227220	Motor start capacitor, 220/250VAC, 189-227µF, 2.062in.dia x 3.37in.h	220/250 VAC	50-60Hz	189-227µF	Dia = 2.062, H = 3.37	0.4 lbs
189-227330	Motor start capacitor, 330VAC, 189-227µF, 2.062in.dia x 4.37in.h	330 VAC	50-60Hz	189-227µF	Dia = 2.062, H = 4.37	0.6 lbs
200-240	Motor start capacitor, 110/125 VAC, 200-240µF, 1.437in.dia x 2.75in.h	110/125 VAC	50-60Hz	200-240µF	Dia = 1.437, H = 2.75	0.2 lbs
216-259	Motor start capacitor, 110/125 VAC, 216-259µF, 1.437in.dia x 2.75in.h	110/125 VAC	50-60Hz	216-259µF	Dia = 1.437, H = 2.75	0.2 lbs
216-259220	Motor start capacitor, 220/250VAC, 216-259µF, 2.062in.dia x 3.37in.h	220/250 VAC	50-60Hz	216-259µF	Dia = 2.062, H = 3.37	0.4 lbs
216-259330	Motor start capacitor, 330VAC, 216-259µF, 2.062in.dia x 4.37in.h	330 VAC	50-60Hz	216-259µF	Dia = 2.062, H = 4.37	0.6 lbs
233-292	Motor start capacitor, 110/125 VAC, 233-292µF, 1.437in.dia x 2.75in.h	110/125 VAC	50-60Hz	233-292µF	Dia = 1.437, H = 2.75	0.2 lbs
233-292220	Motor start capacitor, 220/250VAC, 233-292µF, 2.062in.dia x 3.37in.h	220/250 VAC	50-60Hz	233-292µF	Dia = 2.062, H = 3.37	0.4 lbs
270-324	Motor start capacitor, 110/125 VAC, 270-324µF, 1.437in.dia x 2.75in.h	110/125 VAC	50-60Hz	270-324µF	Dia = 1.437, H = 2.75	0.2 lbs
270-324220	Motor start capacitor, 220/250VAC, 270-324µF, 2.062in.dia x 4.37in.h	220/250 VAC	50-60Hz	270-324µF	Dia = 2.062, H = 4.37	0.6 lbs
270-324330	Motor start capacitor, 330VAC, 270-324µF, 2.062in.dia x 4.37in.h	330 VAC	50-60Hz	270-324µF	Dia = 2.062, H = 4.37	0.8 lbs
324-388	Motor start capacitor, 110/125 VAC, 324-388µF, 1.437in.dia x 2.75in.h	110/125 VAC	50-60Hz	324-388µF	Dia = 1.437, H = 2.75	0.2 lbs
340-408	Motor start capacitor, 110/125 VAC, 340-408µF, 1.437in.dia x 3.37in.h	110/125 VAC	50-60Hz	340-408µF	Dia = 1.437, H = 3.37	0.2 lbs
378-440	Motor start capacitor, 110/125 VAC, 378-440µF, 1.437in.dia x 3.37in.h	110/125 VAC	50-60Hz	378-440µF	Dia = 1.437, H = 3.37	0.26 lbs
400-480	Motor start capacitor, 110/125 VAC, 400-480µF, 1.437in.dia x 3.37in.h	110/125 VAC	50-60Hz	400-480µF	Dia = 1.437, H = 3.37	0.2 lbs
460-552	Motor start capacitor, 110/125 VAC, 460-552µF, 1.437in.dia x 3.37in.h	110/125 VAC	50-60Hz	460-552µF	Dia = 1.437, H = 3.37	0.2 lbs
590-708	Motor start capacitor, 110/125VAC, 590-708µF, 1.812in.dia x 3.37in.h	110/125 VAC	50-60Hz	590-708µF	Dia = 1.812, H = 3.37	0.4 lbs
708-850	Motor start capacitor, 110/125VAC, 708-850µF, 1.812in.dia x 3.37in.h	110/125 VAC	50-60Hz	708-850µF	Dia = 1.812, H = 3.37	0.4 lbs
829-995	Motor start capacitor, 110/125VAC, 829-995µF, 2.062in.dia x 4.37in.h	110/125 VAC	50-60Hz	829-995µF	Dia = 2.062, H = 4.37	0.4 lbs
1000-1200	Motor start capacitor, 110/125 VAC, 1000-1200µF, 2.062in.dia x 4.37in.h	110/125 VAC	50-60Hz	1000-1200µF	Dia = 2.062, H = 4.37	0.4 lbs



**Simplify The Way You Work**

6650 Sugarloaf Parkway, Duluth, GA 30097 Phone: 800-955-2222 Fax: 678-542-3700 www.diversitech.com

© 2016 Diversitech Corporation

All rights reserved.

Rev. 10/06/16

Page 2 of 2