

OVER 450 REPLACEMENT MOTORS FOR OVER 30 OEM'S



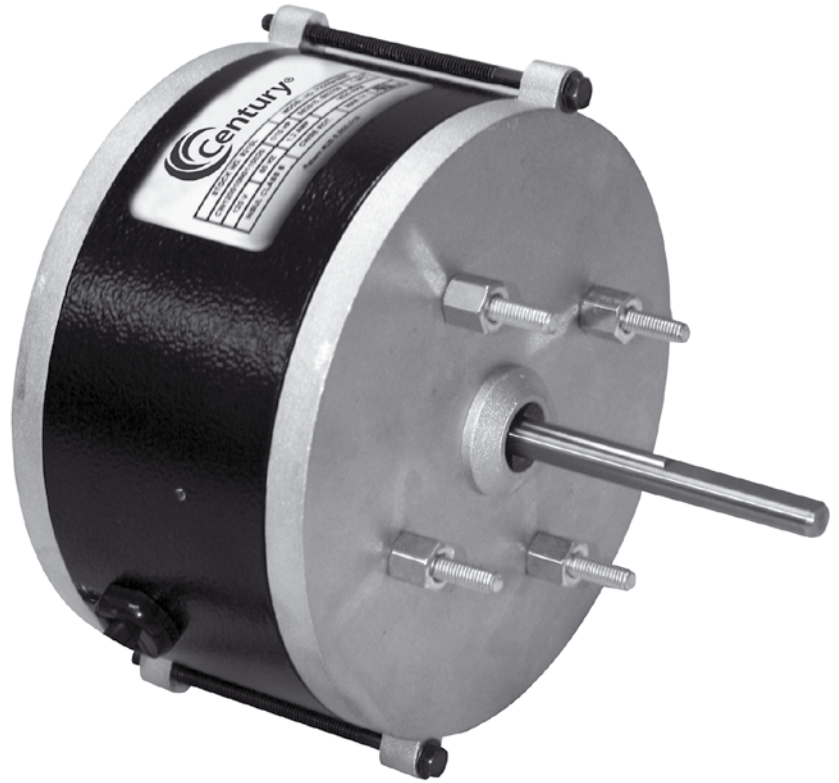
REFRIGERATION  
AIR CONDITIONING  
ELECTRICAL  
SERVICE TOOLS  
HEATING

# COOLING MOTOR

Direct Heatcraft OEM Replacement Motor

## Features

- Advanced ECM Design
- Single Speed
- Ball Bearing
- 42 Frame
- Class B Insulation
- Lyall Plug
- Energy efficient
- 4 Studs each end



Part #	Volts	HP	Speeds/ RPM	Rotation	Amps	Body	Shaft	Cross
<b>M4-R2155</b>	120	1/15,1/20,1/25	1/1625	CCW	1.2	2.85	3.0"×5/16"	22617801, 22618001, 25307801, 25308001
<b>M4-R2156</b>	120	1/15,1/20,1/25	1/1625	CW	1.2	2.85	3.0"×5/16"	2531194
<b>M4-R2157</b>	230	1/15,1/20,1/25	1/1625	CCW	0.7	2.85	3.0"×5/16"	22617701, 22617901, 25307701, 25307901
<b>M4-R2158</b>	230	1/15,1/20,1/25	1/1625	CW	0.7	2.85	3.0"×5/16"	2531195

# 58mm ECM Fan Packs



The Unitronix line of motors is the latest in high efficiency unit bearing motors. The design incorporates permanent magnet, electronically commutated technology with the time proven ruggedness of the cast iron, unit bearing design. Dimensionally interchangeable with comparable output Shaded Pole and PSC unit bearing fan motors.

## Features

- Exceeds 60% efficiency across a wide operating range in actual fan motor applications.
- Delivers constant speed regardless of line voltage fluctuation within the normal operating range.
- Cast iron bearing and thick film lubrication system for long life and dependability.
- Cool running, very low motor heat rise maximizes system efficiency.
- Lyall plug
- Evaporator fan duty
- Electro coated metal shroud with aluminum fan blade

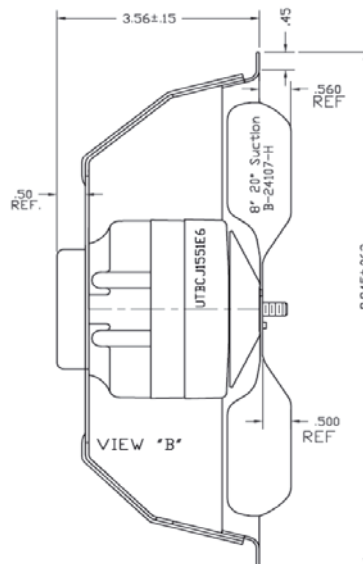
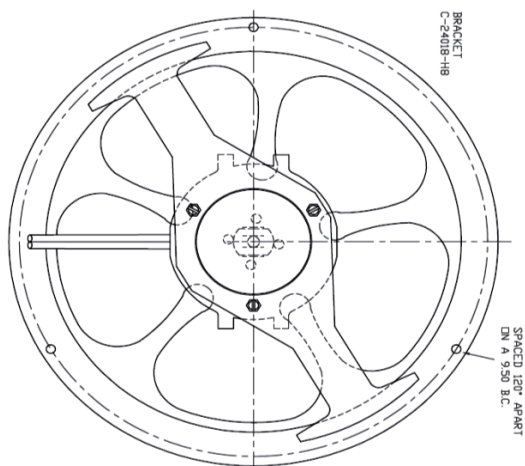


Figure A

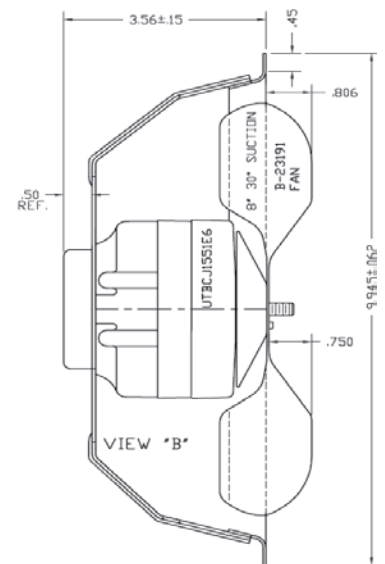


Figure B

Part #	Volts	Speeds/ RPM	Rotation	Amps	CFM @ .05"	CFM @ .10"	CFM @ .15"	Cross	Figure
<b>04-R5470</b>	115	1/1550	CW	0.30	345	285	215	05470, 5SME58AAF1027	A
<b>04-R5472</b>	115	1/1550	CW	0.30	385	315	225	05471, 5SME58AAF1026, 05472, 5SME58AAF1031	B
	115	1/1550	CW	0.30	405	375	265		

The **Comfort Select~FC** motor is a brushless DC high efficiency motor that runs off of a 120 volt single phase input. The motor is controlled by integrated electronics providing advanced motor protection with the same performance characteristics as a shaded pole or PSC motor. The **Comfort Select~FC** is designed as a direct replacement or retrofit product for shaded pole and PSC motors and may be used in fan coil and PTAC\* applications as an energy saving retrofit.

## Benefits

- ECM with internal control
- Long life ball bearings
- Rotors are isolated from shaft to reduce motor vibration
- Saves an average of 69% on energy usage
- Runs cooler
- Easy to install

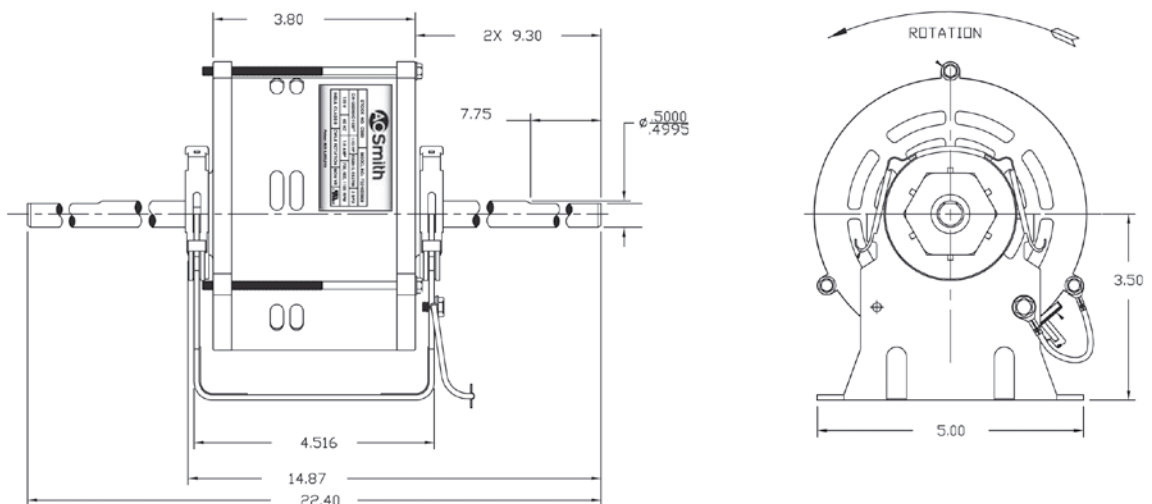
## Features

- Drop-in replacement
- Single Phase
- Brushless DC
- 3 Speeds
- 5 1/8" diameter
- 54" lead length
- Energy efficient



Fan Coils • Air Conditioners • Blowers • Shaded Pole or PSC Retrofit Trane • Carrier • Amana • GE • Fan Coil & PTAC Units

Part #	Volts	HP	Speeds	Rotation	Amps	RPM Range	Shaft	Frame
M4-R2189	120	1/10	3	CWLE	1.56	1100,900,700	9.3" x 1/2" x 9.3"	42



# ECM Unit Bearing Motors

## Features

- Constant speed program works to maintain speed even in restricted airflow situations
- 15" Leads with Lyall plug
- Cast iron
- Vertical up or horizontal
- Suitable for use in evaporator and condenser applications
- Oil Rated -20°F to 120°F
- 5 drilled and tapped mounting holes allows for standard 3-hole and Hussmann 4-hole mounting.
- Leg Mount features four drilled & tapped mounting holes on each side

**Replaces 6, 9, 12, 13,  
14, 15 & 16 Watt P.S.C.  
and Shaded Pole Motors**



- Traditional 3 Point Mount = Red & White
- New Hussmann 4 Point Mount = Green & Red
- O4-R6711 replaces: Hussmann SVC #110.441.0546

Part #	Volts	Watts	Amps	RPM	Rotation	A Dim.
<b>O4-R6711</b>	115	6,9,12	.20/.30	1550	CW	2.53"
<b>O4-R6712</b>	230	6,9,16	.20/.30	1550	CW	2.53"
<b>O4-R6811</b>	115	14,15,16	.47/.58	1550	CW	2.53"

## ECM Unit Bearing Walk-in Cooler Replacement Motor

- Replacement for SSC 50 Watt motors on HTPG, HTP, Russel Coil, and Witt units
- Cross Reference
  - 115 Volt: 08216124 (R8124)
  - 230 Volt: 08216125 (R8125)



Part #	Volts	Watts	Amps	RPM	Rotation	A Dim.
<b>O4-R8124</b>	115	50	1.25	1550	CCW	2.78"
<b>O4-R8125</b>	230	50	0.60	1550	CCW	2.78"

## ECM Unit Bearing Replacement For 3.3" Diameter Motors

Heatcraft Replacement Motors - Bohn, Chandler, Climate Control and Larkin

- Walk-In cooler applications
- Low Temperature oil
- Bracket may be reversed for rear bolt (shaft down) applications
- Operating temperature:  
-20°F(-29°C) to 104°F(40°C)
- 16" Leads with Lyall plug
- Cast iron
- Shaft down & horizontal mounting
- Suitable for use in evaporator or condenser applications



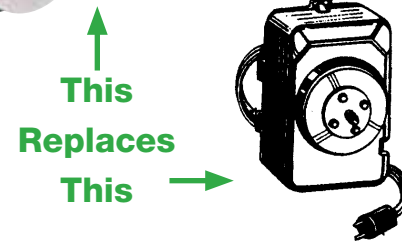
Part #	HP	Amps	Volts	Rotation	RPM	Shaft	A Dim.	Cross
<b>04-R6350</b>	<b>1/15</b>	1.25	115	CCW	1550	1.95" × 5/16"	3.2"	9209L, 05105, 5SME59BVA1038
<b>04-R6355</b>	<b>1/15</b>	1.25	115	CW	1550	1.95" × 5/16"	3.2"	9210L, 05104, 5SME59BVA1036
<b>04-R6360</b>	<b>1/15</b>	0.77	230	CCW	1550	1.95" × 5/16"	3.2"	9209H, 05205, 5SME59BVA2039
<b>04-R6365</b>	<b>1/15</b>	0.77	230	CW	1550	1.95" × 5/16"	3.2"	9210H, 05204, 5SME59BVA2037
<b>04-R6370</b>	<b>1/10</b>	1.35	115	CCW	1550	2.60" × 5/16"	4.4"	
<b>04-R6375</b>	<b>1/10</b>	1.35	115	CW	1550	2.60" × 5/16"	4.4"	
<b>04-R6380</b>	<b>1/10</b>	0.50	230	CCW	1550	2.60" × 5/16"	4.4"	
<b>04-R6385</b>	<b>1/10</b>	0.50	230	CW	1550	2.60" × 5/16"	4.4"	

## ECM Unit Bearing Replacement For GE 44 Frame Motors

- Used on Hussmann, Tyler, & Hill Phoenix supermarket cases
- Operating temperature:  
Evaporator fan duty only  
-20°F(-29°C) to 40°F(4°C)
- 16" Leads with Lyall plug
- Cast iron
- Shaft vertical up & horizontal mounting



Featuring an extended hub to ensure proper fan blade location



Part #	Watts	Amps	Volts	Rotation	RPM	Shaft	A Dim.
<b>04-R5443</b>	9	0.45	115	CW	1650	1/4" × 20	2.78"
<b>04-R5444</b>	16	0.55	115	CW	1850	1/4" × 20	2.78"

Reduce your carbon foot print and electricity bill at the same time. Become more environmentally friendly! The ECM series allows efficiency rates up to 70%, 4-5 times more efficient than a traditional shaded pole fan motor. Higher efficiency means cooler motor operation, longer bearing expected life and reduced heat delivered to the refrigeration cycle, for a combined energy saving advantage and improved refrigeration quality.

The ECM-IP Series is widely used in industrial and commercial refrigeration for condensing and evaporating units, food and beverage coolers, freezers, supermarket display cases, walk-ins and reach-ins.



## Features

### Increased life:

Life expectancy of 60,000+ hrs. with our sealed ball bearing option.

### Moisture protection:

The ECM series offers IP65 & IP66 moisture protection grade, one of the highest in the industry.

### Wide range of CFM:

Choose among three different factory preset RPM options and a wide range of fan blades from 6 to 10 inches diameter and various pitches, to satisfy all CFM needs.

### Multiple mounting:

Compatible with ELCO's standard accessories, giving higher flexibility in motor mounting. Installation on a shroud, a grid or a mounting bracket.

### Drop in replacement:

The ECM-IP Series motor is a direct drop-in replacement to our shaded pole motor (NU series) for an easy and hassle free "green turn".

### Modular Design

Designed to mount ELCO standard (and third party) or integrated design fan blades, for extreme application flexibility and to cover a wide range of performance requirements.

### Compact design:

The ECM compact design with its integrated plastic fan blade is ideal for reduced space depth applications.

Stock #	Watt	Volt	RPM	Amp	ELCO OEM #	Type	A dim.	Cord length	Term. / Plug.
<b>EC-HE0147</b>	12	115	1450	0.18	EDA12153UC0147	A	3.61"	14"	3pin 90°
<b>EC-HE0170</b>	12	115	1450	0.18	EDA12153UN0170	B	3.62"	14"	3pin 90°
<b>EC-HE0176</b>	15	115	1600	0.22	EDA15253UC0176	A	4.00"	16"	2pin 90°
<b>EC-HE0182</b>	10	115	1550	0.19	EDA10153UC0182	A	3.61"	16"	2pin 90°

### Cross Reference

Part #	OEM Name	OEM #
<b>EC-HE0147</b>	Arneg Canada & US	34410013 , 34410009, 24681010
<b>EC-HE0170</b>	Arneg Canada & US	34410012 (for fan 34415010)
<b>EC-HE0176</b>	Hill Phoenix	P078449H
<b>EC-HE0182</b>	Hill Phoenix	P079441C, P066237A

### Dual Voltage 370/440V • Single MFD

370/440 Volt Oval						OVAL	MFD	370/440 Volt Round					
Dimensions (Millimeters)			Dimensions (Inches)					Dia.	Height	Dimensions (Inches)		Dimensions (Millimeters)	
Width	Depth	Height	Width	Depth	Height					Dia.	Height	Dia.	Height
51.5	31.5	60	2.03	1.24	2.36	36-5-370440	5	36-5R3744	1.65	2.37	42	60	
51.5	31.5	60	2.03	1.24	2.36	36-7-370440	7.5	36-7R3744	1.65	2.37	42	60	
51.5	31.5	80	2.03	1.24	3.15	36-10-370440	10	36-10R3744	1.65	2.78	42	70	
51.5	31.5	80	2.03	1.24	3.15	36-12-370440	12.5	36-12R3744	1.65	2.78	42	70	
51.5	31.5	80	2.03	1.24	3.15	36-15-370440	15	36-15R3744	1.65	3.15	42	80	
71.0	45.0	80	2.80	1.77	3.15	36-17-370440	17.5	36-17R3744	1.65	3.15	42	80	
71.0	45.0	80	2.80	1.77	3.15	36-20-370440	20	36-20R3744	1.78	3.15	45	80	
71.0	45.0	80	2.80	1.77	3.15	36-25-370440	25	36-25R3744	1.78	3.54	45	90	
71.0	45.0	90	2.80	1.77	3.55	36-30-370440	30	36-30R3744	2.00	3.94	50	100	
71.0	45.0	90	2.80	1.77	3.55	36-35-370440	35	36-35R3744	2.00	3.94	50	100	
71.0	45.0	90	2.80	1.77	3.55	36-40-370440	40	36-40R3744	2.00	4.33	50	110	
71.0	45.0	110	2.80	1.77	4.33	36-45-370440	45	36-45R3744	2.00	4.33	50	110	
71.0	45.0	110	2.80	1.77	4.33	36-50-370440	50	36-50R3744	2.00	4.33	50	110	



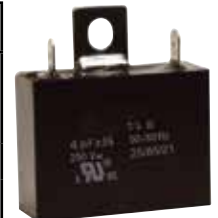
OVAL



ROUND

### Dual Voltage 370/440V • Dual MFD

370/440 Volt Oval						OVAL	MFD	370/440 Volt Round					
Dimensions (Millimeters)			Dimensions (Inches)					Dia.	Height	Dimensions (Inches)		Dimensions (Millimeters)	
Width	Depth	Height	Width	Depth	Height					Dia.	Height	Dia.	Height
71.0	45.0	80	2.80	1.77	3.15	36-25-5-3744	25/5	36-255R3744	1.97	3.54	50	90	
71.0	45.0	100	2.80	1.77	3.94	36-30-5-3744	30/5	36-305R3744	1.97	4.16	50	105	
71.0	45.0	100	2.80	1.77	3.94	36-35-5-3744	35/5	36-355R3744	2.17	4.33	55	110	
71.0	45.0	110	2.80	1.77	4.33	36-40-5-3744	40/5	36-405R3744	2.36	4.72	60	120	
71.0	45.0	110	2.80	1.77	4.33	36-45-5-3744	45/5	36-455R3744	2.36	4.72	60	120	



SQUARE

Higher Voltage Capacitors Can Be Substituted For Lower Voltage Applications.

### Dual Voltage 250-440V • Single MFD

250-440 Volt Square						SQUARE	MFD
Dimensions (Millimeters)			Dimensions (Inches)				
Width	Depth	Height	Width	Depth	Height		
37.0	18.0	28.0	1.46	0.71	1.10	36-2S440	2
37.0	18.0	28.0	1.46	0.71	1.10	36-3S440	3
37.0	22.0	34.0	1.46	0.87	1.34	36-4S440	4
37.0	22.0	34.0	1.46	0.87	1.34	36-5S440	5
47.0	26.0	38.0	1.85	1.02	1.50	36-7.5S440	7.5
47.0	26.0	38.0	1.85	1.02	1.50	36-8S440	8
58.0	30.0	44.0	2.28	1.18	1.73	36-10S440	10
58.0	30.0	44.0	2.28	1.18	1.73	36-12.5S440	12.5
58.0	30.0	44.0	2.28	1.18	1.73	36-15S440	15
58.0	39.0	50.0	2.28	1.54	1.97	36-20S440	20

### RO TOM RUN CAPACITORS

- Heavy Duty, Compact Design
- UL & cUL Recognized
- Competitively Priced
- Built In Interrupter
- Largest Selection

**NOTE:**

**CAPACITORS IN SERIES**

- MFD rating decreases; Voltage increases.

$$\text{New MFD Rating} = \frac{\text{MFD}_1 \times \text{MFD}_2}{\text{MFD}_1 + \text{MFD}_2}$$

**CAPACITORS IN PARALLEL**

- MFD increases; Voltage rating stays constant.

*(ex. two 5 MFD 370 V capacitors wired in parallel is the equivalent of a 10 MFD 370 V Capacitor)*

$$\text{New MFD Rating} = \text{MFD}_1 + \text{MFD}_2$$

- When connected in either series or parallel it is recommended that capacitors with the same MFD ratings be used.
- Higher voltages may be substituted for lower voltages in the same MFD rating.



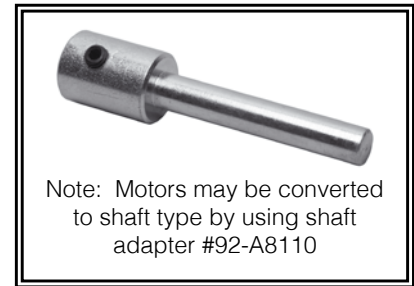
## 3.3" Refrigeration Motors

### 3.3" Hubless Motors - Totally Enclosed



### 115 & 230 Volts - Sleeve and Ball Bearing - Shaded Pole

Part #	Amps	HP	Spd/RPM	Voltage	Rotation	Body	Feature	Comment
<b>O4-R1211</b>	0.30	1/150	1/1550	115	CW	2.09	0.67" TO HUB FACE	5 WATT, DOMESTIC REF.
<b>R1-R128</b>	0.35	1/135	1/1550	115	CW	2.09	3 PT. MTG., 3 PIN PLUG	COLDSTREAM
<b>R1-R122</b>	0.35	1/60	1/1550	230	CW	2.50	3 PIN PLUG	FOSTER, COLDSTREAM
<b>R1-R114</b>	0.45	1/125	1/1550	115	CW	2.09	LEADS, 3 POINT OR LEG MOUNTING	GENERAL REPLACEMENT
<b>R1-R108</b>	0.60	1/100	1/1550	115	CCW	2.00	ONE U BRACKET, LEADS	BLANCHARD
<b>R1-R137</b>	0.59	1/70	1/1550	115	CW	2.20	2 PIN PLUG	COLDSTREAM
<b>R1-R129</b>	0.65	1/60	1/3000	115	CCW	2.50	2 PIN PLUG	HILL REFRIGERATION
<b>R1-R127</b>	0.75	1/80	1/1600	115	CCW	2.09	STUD MOUNTING	FOSTER
<b>R1-R125</b>	0.80	1/20	1/1500	230	CCW	4.00	2 PIN PLUG, BALL BEARING	DUNHAM, BUSH
<b>R1-R101</b>	0.90	1/45	1/1550	115	CW	2.30	2 PIN PLUG, LEG MTG.	HUSSMANN
<b>R1-R101L</b>	0.90	1/45	1/1550	115	CW	2.30	2 PIN PLUG	HUSSMANN
<b>R1-R103</b>	0.90	1/45	1/1550	115	CCW	2.30	2 PIN PLUG	HUSSMANN
<b>R1-R103L</b>	0.90	1/45	1/1550	115	CCW	2.30	2 PIN PLUG, LEG MTG.	HUSSMANN
<b>R1-R124</b>	1.55	1/20	1/1550	115	CCW	4.00	2 PIN PLUG, BALL BEARING	DUNHAM BUSH

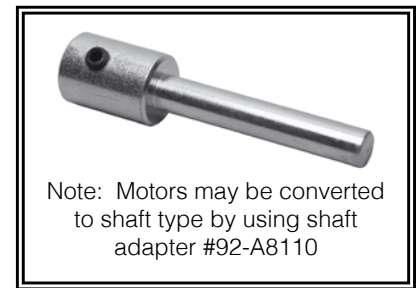
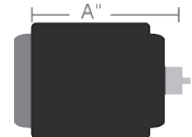


Part #	Watts	Amps	Volts	Rot	RPM	A Dim	Shaft	Comment
04-R5090	2	0.25	115	CW	1550	2.70"	Hubless	CAST IRON 2 WATT CONDENSER MOTOR
04-R5109		0.25	115	CW	1550	2.50"	Hubless	GE 5109, WR60X77, 5KSM51AG3070, 5KS-P51AZL826
04-R5211	4	0.35	115	CW	1550	2.58"	Hubless	TECUMSEH TFM41, G.E. 5211 5KSP51AL511
04-R5212		0.35	115	CCW	1550	2.58"	Hubless	G.E. 5212, 5KSP51AL513
04-R5221		0.20	230	CW	1550	2.58"	Hubless	G.E. 5221, 5KSP51AL512, COPELAND 050-0246-00
04-R5222		0.20	230	CW	1550	2.58"	Hubless	G.E. 5222, 5KSP51AL514
04-R5911	5	0.35	115	CW	1550	2.58"	Hubless	COPELAND 050-0010-00,0178-00 050-0246-01,HILL PP7577
04-R6247	6	0.35	115	CW	1550	3.44"	Hubless	R CORNELIUS
04-R5311		0.50	115	CW	1550	2.83"	Hubless	G.E. 5311, 5KSP51CL501, TECUMSEH TFM61, C
04-R5312	9	0.50	115	CCW	1550	2.83"	Hubless	5914767, 5914782, G.E. 5312, 5KSP51CL502
04-R5411		0.58	115	CW	1550	2.80"	Hubless	G.E. 5411, 5KSP51ECL551 TECUMSEH TFM91
04-R5401		0.60	115	CW	1550	2.80"	Hubless	True 800401, All angle evaporator motor
04-R5412		0.60	115	CCW	1550	3.40"	Hubless	G.E. 5412, 5KSP51ECL553
04-R5421	9	0.30	230	CW	1550	2.83"	Hubless	TECUMSEH TFM62, TFM92, G.E. 5421, 5KSP51ECL552
04-R5422		0.30	230	CCW	1550	2.83"	Hubless	G.E. 5422, 5KSP51ECL554
04-R5611		0.60	115	CW	1550	3.07"	Hubless	HUSSMANN 47000, 58698
04-R5612		0.60	115	CCW	1550	3.07"	Hubless	HUSSMANN 38360
04-R6273		0.60	115	CW	1550	3.13"	Hubless	CONDENSER MOTOR FOR CAN TYPE VENDING MACHINES

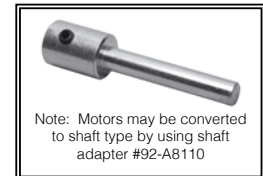
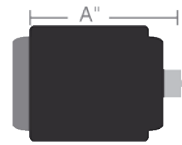
# 51 Frame Unit Bearing Motors

## 3.5" Diameter - 51 Frame - Totally Enclosed

Morrill / EMS Replacements



Part #	Watts	Amps	Volts	Rot	RPM	A Dim	Shaft	Comment
<b>04-R5811</b>	16	1.00	115	CW	1550	3.03"	Hubless	050-0164-00, 050-0247-00, 401-0032-01, G.E. 5811
<b>04-R5812</b>		1.00	115	CCW	1550	3.03"	Hubless	G.E. 5812, 5KSP51GL583T
<b>04-R5821</b>		0.50	230	CW	1550	3.03"	Hubless	G.E. 5821, 5KSP51GL582T
<b>04-R5822</b>		0.50	230	CCW	1550	3.03"	Hubless	G.E. 5822, 5KSP51GL584
<b>04-R2011</b>	23	0.80	115	CW	1500	3.75"	Hubless	HILL PP20934F
<b>04-R2511</b>	25	1.10	115	CW	1500	3.50"	Hubless	TECUMSEH TFM191, 810E019A73, 810E019A80
<b>04-R2512</b>		0.60	230	CW	1550	3.50"	Hubless	G.E. 0253
<b>04-R2521</b>		1.10	115	CCW	1500	3.50"	Hubless	ESPL25EMR1, ESPL25EVRD1
<b>04-R2522</b>		0.60	230	CCW	1500	3.50"	Hubless	ESPL25EMR2, ESPL25EVR2
<b>04-R3511</b>	35	1.40	115	CW	1500	3.50"	Hubless	TECUMSEH TFM351, HUSSMANN 328346, COPELAND 050-0227-01
<b>04-R3512</b>		0.70	230	CW	1500	3.50"	Hubless	TECUMSEH TFM 352, 810M35A12, 810M35A21, 810M35A28, COPELAND
<b>04-R3521</b>		1.40	115	CCW	1500	3.50"	Hubless	G.E. 0352
<b>04-R3522</b>		0.70	230	CCW	1500	3.50"	Hubless	ESPL35EM2B2C2, ESPL35EMR2
<b>04-R3531</b>		1.40	115	CW	1500	3.60"	Hubless	Copeland 050-0367-03, 050-0367-06, 050-0367-10 EMS ESP-L35EM12H
<b>04-R3532</b>		0.70	208/230	CW	1500	3.60"	Hubless	Copeland 050-0367-01, 050-0367-08, 050-0367-11, EMS ESP-L35EM24H
<b>04-R3612</b>		0.70	230	CW	1500	3.50"	1.4"x5/16"	TECUMSEH TFM262, TFM362, 810A108, 810E026A81



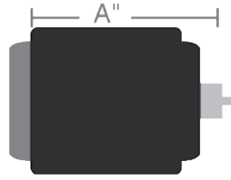
Part #	Watts	Amps	Volts	Rot	RPM	A Dim	Shaft	Comment
<b>04-R5011</b>	50	1.70	115	CW	1500	4.50"	1.5"×3/8"	COPELAND 050-0011-01,0017-02 050-0237-01, 998100800
<b>04-R5012</b>		0.85	230	CW	1500	4.50"	1.5"×3/8"	COPELAND 050-0017-01,03,0011-00, 0101-00,0237-00,998100700
<b>04-R5021</b>		1.70	115	CCW	1500	4.50"	1.5"×3/8"	A0502, 259, ESPLO5EMR1
<b>04-R5022</b>		0.85	230	CCW	1500	4.50"	1.5"×3/8"	TECUMSEH 810A31B, 810G037A20
<b>04-R5031</b>		1.70	115	CW	1500	4.50"	Hubless	Copeland 050-03440-01, EMS ESP-OL50EM16H
<b>04-R5032</b>		0.85	208/ 230	CW	1500	4.50"	Hubless	Copeland 050-03440-00, 050-03440-10 EMS ESP-OL50EM26H
<b>04-R5112</b>		0.85	230	CW	1500	4.50"	1.4"×5/16"	TECUMSEH, 810M50A62
<b>04-R5122</b>		0.85	230	CCW	1500	4.00"	2.0"×5/16"	TECUMSEH TFM502, 810G050A50, 050-0264-0
<b>04-R5460</b>		0.44	460	CW	1500	4.50"	Hubless	Copeland 050-03440-03, EMS ESP-OL50EM46H









# 51 Frame Refrigeration Motors

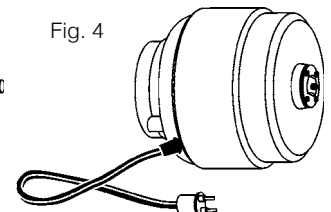
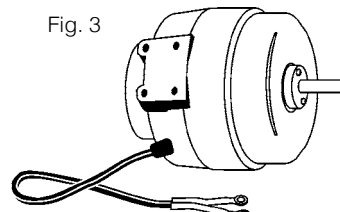
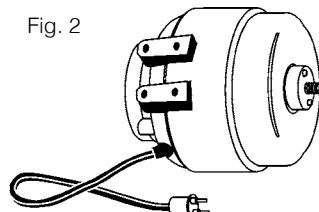
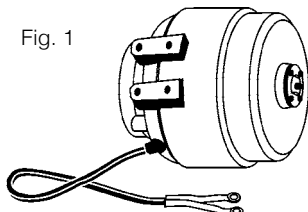
## 3.5" Diameter - 51 Frame - Totally Enclosed

GE Replacements - Shaded Pole

- Unit Bearing
- CW Rotation
- 51 Frame
- Hubless Shaft
- Shaded Pole


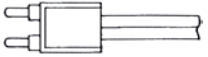


Part #	Watts	Volts	Amps	Spd/RPM	Type	Fig.	"A"	Shaft	Termination
EE-5211	4	115	0.29	1/1550	SP	1	2.74"	1/4" x 20 Hubless	
EE-5311	6	115	0.40	1/1550	SP	1	2.74"	1/4" x 20 Hubless	
EE-5610		115	0.40	1/1550	SP	4	2.74"	1/4" x 20 Hubless	
EE-5411	9	115	0.52	1/1550	SP	1	2.74"	1/4" x 20 Hubless	
EE-5611		115	0.52	1/1550	SP	2	2.74"	1/4" x 20 Hubless	
EE-5811	16	115	0.90	1/1550	SP	1	2.97"	1/4" x 20 Hubless	
EE-5821		208/230	0.50	1/1550	SP	1	2.97"	1/4" x 20 Hubless	
EE-2511	25	115	1.10	1/1500	SP	1	3.15"	1/4" x 20 Hubless	
EE-2512		208/230	0.55	1/1500	SP	1	3.15"	1/4" x 20 Hubless	
EE-3512	35	208/230	0.70	1/1500	SP	1	3.15"	1/4" x 20 Hubless	
EE-5011	50	115	1.70	1/1500	SP	3	3.52"	3/8" x 1.5"	
EE-5012		208/230	0.85	1/1500	SP	3	3.52"	3/8" x 1.5"	
EE-5112		208/230	0.85	1/1500	SP	3	3.52"	5/16" x 1.5"	

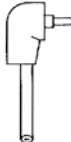
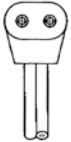






**Leads**

**04-R5711**  
**HUSSMANN / HILL / KYSOR**

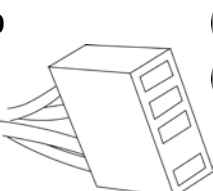
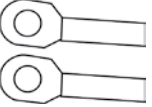



**04-R5715, 04-R5716**  
**TYLER / KYSOR**

**04-R5720**  
**REVERSIBLE MODEL**  
**FOR ALL MANUFACTURERS**

**EE-8419, EE-8416**  
**STRIPPED LEADS**

**04-R5730**  
**TRUE**  
**Wiring**  
**Harness**  
**For Pepsi**

Part #	Watts	Volts	Amps	RPM	Rot	Type	Body	Shaft
<b>04-R5730</b>	<b>9</b>	115	0.26	1600	Rev	PSC	3.87"	1/4-20 Threaded
<b>04-R5711</b>	<b>12</b>	115	0.37	1550	CW	PSC	3.13"	1/4-20 Threaded
<b>04-R5715</b>	<b>12</b>	115	0.37	1550	CW	PSC	3.13"	1/4-20 Threaded
<b>04-R5720</b>	<b>12</b>	115	0.37	1550	CW	PSC	3.13"	1/4-20 Threaded
<b>EE-8416</b>	<b>16</b>	115	0.41	1550	CW	PSC	3.53"	1/4-20 Threaded
<b>04-R5716</b>	<b>16</b>	115	0.40	1550	CW	PSC	3.13"	1/4-20 Threaded

**Cross Reference**

Part #	Hussmann	Hill	Tyler	Kysor	True
<b>04-R5730</b>	-	-	-	-	Condenser Fan c/w wiring harness for Pepsi
<b>04-R5711</b>	301263 301264 329646 400603	P41661	-	09A10-054 19A10-055	-
<b>04-R5715</b>	-	-	5215879 5237801	73049	-
<b>04-R5720</b>	254582 302555 411151	P23956	5212930	09A10-056	-

## Features

- Shaded pole
- 4 Pole
- Totally Enclosed
- 50/60 Hz
- Long Life Lubricated Sintec Sleeve-Bearings

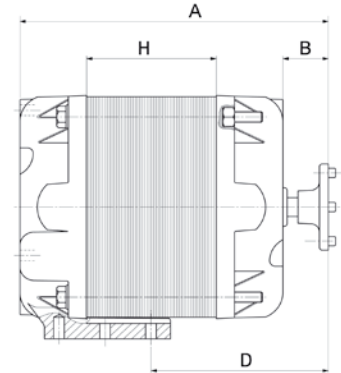
### SLEEVE BEARING

- Duty: Continuous Air-over. Operation: All Angle
- Rotation: CW Opposite Shaft End
- Cord: 21"/23" Lead Length With #10 Ring Studs
- Mounting: 1 Foot, Front Shroud, Tapped Rear 3-Hole
- Included: Nuts, Screws & Fan Blade Adapter



EC-4W115V835  
EC-9W115V834  
Special cord/plug and shaft/  
hub length for Arneg -  
34410000, 34410001

EC-34W115V1543  
EC-34W230V1542  
Special mounting, cord/plug  
and shaft/hub length for Ref  
Plus - RMT0004, RMT0005



## 115 & 230 Volt

Part #	Watts	HP	RPM	Volts	Amps	Prot.	Dimensions: mm (")			
							H	A	B	D
EC-4W115	4	1/185	1550	115	0.36	Imp.	13 (.51")	71.5 (2.82")	12.5 (.49")	42 (1.65")
EC-4W115V835		1/185	1550	115	0.40	TH.	13 (.51")	71.5 (2.82")	17 (.68")	42 (1.65")
EC-5W115	5	1/150	1550	115	0.40	TH.	13 (.51")	71.5 (2.82")	12.5 (.49")	42 (1.65")
EC-5W230		1/150	1550	230	0.20	TH.	13 (.51")	71.5 (2.82")	12.5 (.49")	42 (1.65")
EC-6W115	6	1/125	1550	115	0.41	Imp.	20 (.79")	77.5 (3.05")	12.5 (.49")	48 (1.89")
EC-6W230		1/125	1550	230	0.20	Imp.	20 (.79")	77.5 (3.05")	12.5 (.49")	48 (1.89")
EC-9W115	9	1/83	1550	115	0.58	TH.	20 (.79")	77.5 (3.05")	12.5 (.49")	48 (1.89")
EC-9W115V834		1/83	1550	115	0.58	TH.	20 (.79")	77.5 (3.05")	17 (.68")	48 (1.89")
EC-9W230	1/83	1550	230	0.35	TH.	20 (.79")	77.5 (3.05")	12.5 (.49")	48 (1.89")	
EC-18W115	18	1/47	1550	115	1.0	TH.	30 (1.18")	91.5 (3.6")	16 (.63")	62 (2.44")
EC-18W230		1/47	1550	230	0.5	TH.	30 (1.18")	91.5 (3.6")	16 (.63")	62 (2.44")
EC-34W115	34	1/20	1550	115	1.6	TH.	45 (1.77")	106.5 (4.19")	15.5 (.61")	61 (2.4")
EC-34W115V1543		1/20	1550	115	1.6	TH.	45 (1.77")	106.5 (4.19")	33 (1.3")	61 (2.4")
EC-34W230		1/20	1550	230	0.8	TH.	45 (1.77")	106.5 (4.19")	15.5 (.61")	61 (2.4")
EC-34W230V1542		1/20	1550	230	0.8	TH.	45 (1.77")	106.5 (4.19")	33 (1.3")	61 (2.4")

Notes: Imp. = Impedance. - TH. = Thermal Protection

## Fan Blades

Part #	Motor	Diameter: mm (")	Pitch	Blades	Application	Construction
EC-4VEA012	4 & 5 W	154 (6.06")	28°	5	Suction	Plastic
EC-4012309		154 (6.06")	19°	5	Suction	Aluminium
EC-4012543		172 (6.77")	28°	5	Blower	Aluminium
EC-4VEA009	6 & 9 W	200 (7.87")	28°	5	Suction	Plastic
EC-4VEA010		200 (7.87")	34°	5	Suction	Plastic
EC-4VEA013	9 W	230 (9.05")	25°	5	Suction	Plastic
EC-4VEA006	16 W	230 (9.05")	31°	5	Suction	Plastic
EC-4VEA007		254 (10.0")	28°	5	Suction	Plastic

## Fan Guards

Part #	Description
EC-1055223	Plastic, 7.87" Dia.
EC-1055224	Plastic, 10" Dia.
EC-1055318	Metal, 9.05" Dia
EC-1055303	Metal, 10" Dia.

## Plastic Brackets

Part #	Description
EC-EUBKT01	Bracket for US style Elco Motors



Motor Part #	Blower Part #	HP	Amps	RPM	CFM	Shaft	Bracket Part#	Blower Part #	Dia.	Width	Bore	Rot	Cross
<b>T1-R630</b>	<b>R7-RB20</b>	<b>1/185</b>	0.76	1/1500	60	1.90"×7/32"	<b>92-A8600</b>	<b>93-A7105</b>	5"	1 1/8"	7/32"	CW	013005, EB50
<b>O6-R260</b>	<b>R7-RB22</b>	<b>1/80</b>	0.65	1/1500	75	1.10"×5/16"	<b>92-A8602</b>	<b>66-A508202</b>	5 1/16"	2"	5/16"	CW	B60, 013012, EB60, 4099
<b>O6-R262</b>	<b>R7-RB24</b> <b>R7-RB25</b>	<b>1/40</b>	1.00	1/1550	130 130	1.50"×5/16"	<b>92-A8602</b>	<b>66-A508216</b>	5 1/16"	2 5/32"	5/16"	CW	B100, K100, 013011, 4105
<b>O6-R264</b>	<b>R7-RB26</b>	<b>1/60</b>	0.95	1/1550	141	1.80"×5/16"	<b>92-A8604</b>	<b>66-A610215</b>	6 1/16"	2 5/32"	5/16"	CW	QK100, 013020
<b>O6-R265</b>	-	<b>1/75</b>	0.65	1/1400	115	1.63"×5/16"							QB100
<b>O6-R266</b>	<b>R7-RB28</b>	<b>1/20</b>	1.65	1/1550	201	1.40"×5/16"	<b>92-A8604</b>	<b>66-A610215</b>	6 1/16"	2 5/32"	5/16"	CW	BK100, 013024, 4115
<b>O6-R267</b>	-	<b>1/50</b>	0.80	1/1550	118	1.50"×5/16"							BB-100, 013019
<b>M3-R2603</b>	<b>R7-RB30</b>	<b>1/35</b>	1.15	1/1550	268	2.20"×1/2"	<b>92-A8606</b>	<b>66-A610220</b>	6 1/16"	2 5/32"	1/2"	CW	DK260, DB200, 75003, 013041, 013040, 4143
<b>M3-R2604</b>	-	<b>1/10</b>	2.87	1/1550	300	2.00"×1/2"							DB300, 013062, 013042
<b>M4-R2605</b>	-	<b>1/12</b>	3.00	1/1050	450	1.60"×1/2"							QBD300



## 3.3" Refrigeration Motors



### 120 Volt

Part #	HP	RPM	Amps	Rot	Type	Encl.	Body	Shaft	Bearing	Cross Ref
<b>R3-R326</b>	1/110	1/1550	0.40	CW	SP	Open	2.09"	1.4"×1/4"	Sleeve	Blanchard, Bohn
<b>O6-R230</b>	1/70	1/2800	0.64	CCW	SP	Open	2.30"	1.3"×1/4"	Sleeve	Coldstream
<b>R3-R205</b>	1/35	1/1550	1.20	CW	SP	Open	2.50"	1.8"×1/4"	Sleeve	Keeprite
<b>R3-R360</b>	1/35	1/1550	1.00	CW	SP	Open	2.60"	1.6"×1/4"	Sleeve	Keeprite
<b>R3-R370</b>	1/20	1/1550	0.75	CW	PSC	Open	3.98"	2.7"×5/16"	Ball	Keeprite
<b>US-R90574</b>	1/20	1/1550	1.90	CW	SP	Open	2.75"	2.48"×5/16"	Sleeve	Larkin, Heatcraft
<b>R3-R358</b>	1/20	1/1550	2.00	CCW	SP	Open	3.35"	3.2"×5/16"	Sleeve	Blanchard, Bohn
<b>R3-R1052</b>	1/20	1/1550	2.00	CCW	SP	Open	3.10"	3.2"×5/16"	Ball	Keeprite, Blanchard
<b>R3-R368</b>	1/20	1/1550	1.7	CW	SP	Open	2.70"	2.7"×5/16"	Sleeve	Ref Plus
<b>US-R90572</b>	1/15	1/1550	1.80	CCW	SP	Open	3.00"	3.03"×5/16"	Sleeve	Bohn, Heatcraft
<b>R3-R313</b>	1/15	1/1550	2.20	CCW	SP	Open	3.60"	3.0"×5/16"	Ball	Krack 1055, Bohn, Blanchard, Torin 7627401



### 240 Volt

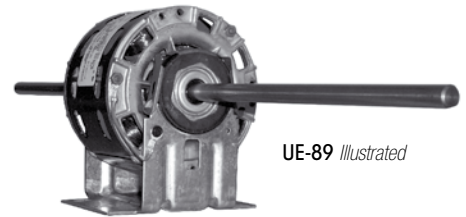
Part #	HP	RPM	Amps	Rot	Type	Encl.	Body	Shaft	Bearing	Cross Ref
<b>R3-R371</b>	1/20	1550	0.38	CW	PSC	OPEN	3.98"	2.7"x5/16"	Ball	Keeprite
<b>US-R90575</b>	1/20	1550	0.89	CW	SP	OPEN	2.75"	2.48"x5/16"	Sleeve	Larkin, Heatcraft
<b>R3-R369</b>	1/20	1550	0.90	CW	SP	OPEN	2.70"	2.7"x5/16"	Sleeve	Ref Plus
<b>R3-R1053</b>	1/20	1550	1.00	CCW	SP	OPEN	3.10"	3.2"x5/16"	Ball	Keeprite, Blanchard
<b>R3-R359</b>	1/20	1550	1.00	CCW	SP	OPEN	3.35"	3.2"x5/16"	Sleeve	Keeprite, Blanchard
<b>R3-R314</b>	1/15	1550	1.30	CCW	SP	OPEN	3.60"	3.0"x5/16"	Sleeve	Krack, Torin, Bohn, Blanchard

### 115/230 Volt

Part #	HP	RPM	Amps	Rot	Type	Encl.	Body	Shaft	Bearing	Cross Ref
<b>US-R91189</b>	1/20	1550	1.6-0.8	CCW	SP	TE	3.15	1.65"x5/16"	Sleeve	Krack
<b>US-R90721</b>	1/12	1550	1.1-0.6	REV	PSC	OPEN	3.59	3.15"x5/16"	Ball	Bohn, Heatcraft, Larkin
<b>US-R90671</b>	1/15	1550	2.1-1.1	CW	SP	OPEN	5.00	2.24"x5/16"	Ball	GE 11 frame replacement
<b>US-R90672</b>	1/15	1550	2.1-1.1	CCW	SP	OPEN	5.00	2.24"x5/16"	Ball	GE 11 frame replacement

## 5.0" Diameter Incremental / PTAC Fan & Blower Motors

- 1/10 HP • 42 Frame • CCW Rotation • Double Shaft
- Open Construction • Sleeve Bearing • Base Inc.



UE-89 Illustrated

### General Replacement For: Carrier, Chromalox, Trane, Dunham Bush

Part #	RPM	Volts	Amps	Type	Shaft	Cross Reference
<b>M4-R2634</b>	5/1050	120	3.50	SP	10.2" x 1/2" x 10.2"	UE89, GE 2089, Fasco D289
<b>UE-89</b>	5/1050	120	3.50	SP	10.2" x 1/2" x 10.2"	GE 2089, Fasco D289
<b>M4-R2693</b>	5/1050	120	3.20	SP	8.0" x 3/8" x 8.0"	UE93, GE 2093, Fasco D293
<b>M4-R2635</b>	4/1050	208/230	1.60	SP	9.0" x 1/2" x 9.0"	UE320, GE 2907, Fasco D251
<b>M4-R2362*</b>	4/1075	120	1.70	PSC	9.8" x 1/2" x 9.8"	UE362, GE 2362, Fasco D291
<b>M4-R2381*</b>	4/1075	208/230	0.80	PSC	9.0" x 1/2" x 9.0"	UE381, Fasco D292

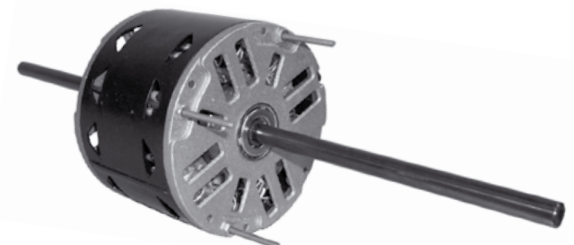
\* - PSC - 5/370 Cap.

## 5.5" Diameter Air Conditioning Motors

- 48 Frame (5 5/8") • 1075 RPM • 3 Speed • CCW • PSC • Open • Sleeve Bearings • Resilient Ring
- 1 1/2" thru Bolt Mount with Length Adaptor • Fixed Lead End • Thermal Protection • Adjustable Base Inc.

Part #	HP	Volts	Amps	Cap	Shaft
<b>M1-R52126</b>	<b>1/6</b>	120	3.10	5/370	7.5" x 1/2" x 8.2"
<b>M1-R52101</b>	<b>1/3</b>	120	6.80	5/370	6.8" x 1/2" x 8.0"
<b>M1-R52761</b>	<b>1/2</b>	120	7.60	7.5/370	6.8" x 1/2" x 7.4"
<b>M1-R52118</b>	<b>1/6</b>	208/230	1.20	5/370	7.5" x 1/2" x 8.2"
<b>M1-R52113</b>	<b>1/4</b>	208/230	1.90	5/370	7.5" x 1/2" x 8.0"
<b>M1-R53676*</b>	<b>1/4</b>	208/230	1.90	5/370	7.5" x 1/2" x 8.0"
<b>M1-R52102</b>	<b>1/3</b>	208/230	2.60	5/370	7.8" x 1/2" x 8.3"
<b>M1-R53686*</b>	<b>1/3</b>	208/230	1.90	5/370	7.8" x 1/2" x 8.3"
<b>M1-R52107</b>	<b>1/2</b>	208/230	3.40	7.5/370	7.7" x 1/2" x 6.2"
<b>M1-R53696*</b>	<b>1/2</b>	208/230	2.76	7.5/370	7.7" x 1/2" x 6.2"
<b>M1-R52489</b>	<b>3/4</b>	208/230	5.00	7.5/370	6.8" x 1/2" x 7.5"

\* No Adapter Kit Base



M1-R52113 Illustrated

**REPLACEMENT FOR:  
Large Window and  
Through The Wall  
Air Conditioners**

**3.3" PSC General Replacement Refrigeration Motor**

**Features**

- High Efficiency PSC
- Dual Voltage
- Ball Bearing
- Reversing Plug
- Will Replace Dozens of 1/12, 1/15, & 1/20 HP PSC and Shaded Pole Motors
- Mounting Studs Front & Rear (nuts included)

**TruckStock™**  
STANDARD



Part #	Amps	SPD/RPM	Volts	HP	Rot	Shaft	Body	Feature
<b>US-R90721</b>	<b>1.1/0.6</b>	1/1550	115/ 208/230	1/12	REV	3.15"x5/16"	3.59"	PSC/Cap Inc.

**Cross Reference**

Part #	Emerson	A.O.Smith	Fasco	GE	Heatcraft	Larkin
<b>US-R90721</b>	9650, 9651, 9652, 9653, 9656, 9664	9721 9702A	D1101, D1103, D1122, D1123, D1124, D1125, D1126, D1152, D1154, PD1125, D1127, 7163- 2113, 7163-3371, 7190-0442, 7190-2084, 7190-2255, 7190-2285, 7190-2969	5KSM59ES2001 5KSM59JSK1435 5KSM59JS5036S 5KSM59LS2262AS	25308601 25309101 2531194 2531195	7071061

**3.3" General Replacement Refrigeration Motors**

**Features**

- Class B Insulation
- Open
- Single Shaft
- Shaded Pole
- Heavy Duty Ball Bearing
- Thermally Protected
- Single Speed
- Four studs on each end with extra mounting nuts

**Benefits**

- One motor replaces 1/25, 1/30, 1/40 & 1/50 horse powers with one simple connection
- Replaces hundreds of the most popular 3.3" motors currently installed
- Great TruckStock™ motors are a must-have for any contractor who offers 24-hour emergency service.

**TruckStock™**  
STANDARD



Part #	HP	Volts	Amps	RPM	Dia	Rot	Type	Body	Shaft
<b>R3-R376</b>	<b>1/25 - 1/50</b>	115	1.6 - 1.4	1550	3.3"	CCW	SP	2.75"	5/16" x 2.5"
<b>R3-R375</b>	<b>1/25 - 1/50</b>	115	1.6 - 1.4	1550	3.3"	CW	SP	2.75"	5/16" x 2.5"

**Cross Reference**

Rotom	Mars	Packard	Fasco	A.O. Smith
<b>R3-R376</b>	05528	40030	D184	3325CW
	05526	40514	D514	-
	05524	40126	D126	-
<b>R3-R375</b>	05527	40031	D515	3325CCW
	05525	40515	D127	-
	05523	40127	-	-

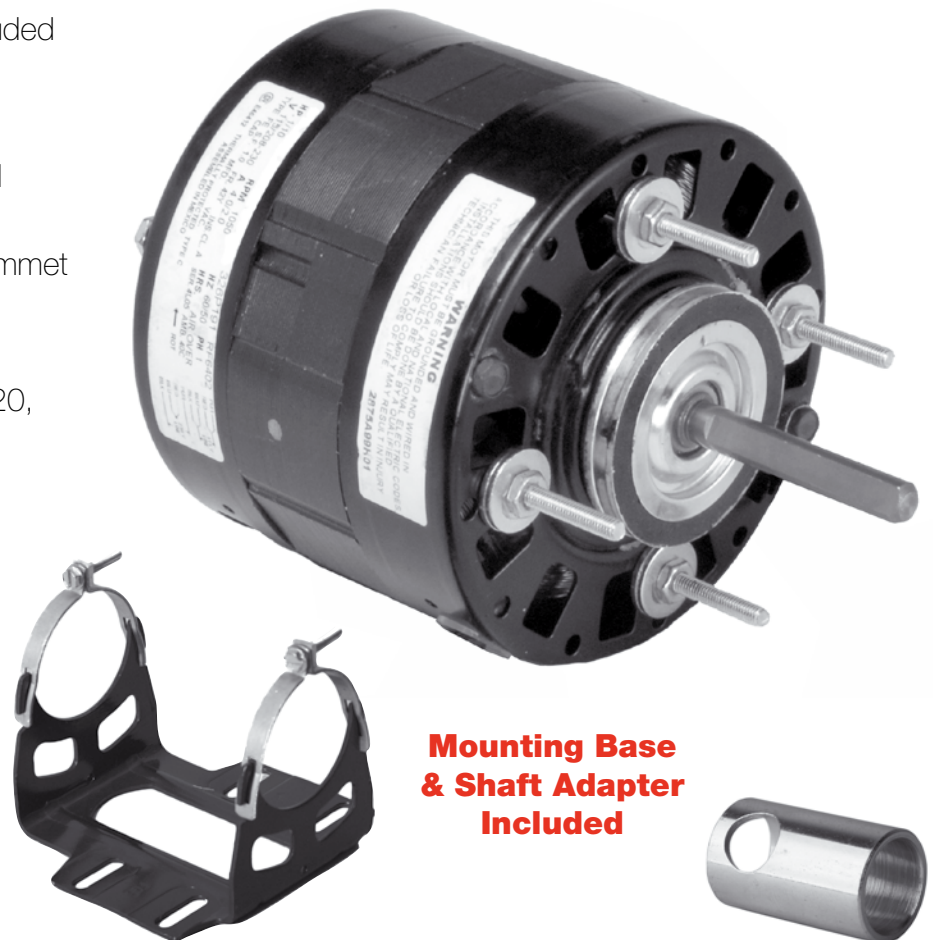
## 5.0" Diameter Motors

### 21/29 Frame Replacement Motors

#### Features

- Easy to install
- Triple voltage (115/208/230)
- All angle
- Sleeve bearing
- 3/8" shaft with 1/2" adapter included
- Complete with resilient base
- Longer shafts
- Automatic reset thermal overload protector
- 30" colour coded leads with grommet exit
- Mechanically reversible
- 1/10 HP rating replaces G.E. 1/20, 1/15, & 1/10 motors
- Strap, stud or base mount
- 2 1/4", 2 1/2 Resilient rings
- 2 5/8" Shaft height

These specially designed Rotom motors will replace hundreds of Universal, Fasco & G.E. 21/29 frame motors. This means reduced inventory, better turnover, competitive prices and increased profits.



**Mounting Base  
& Shaft Adapter  
Included**

Used on many commercial condensing units such as Copeland, Tecumseh, Hussmann & Tyler as well as unit cooler fans and blowers, refrigeration cabinets, unit heaters, space heaters, remote air conditioners, blower units and other air moving applications.

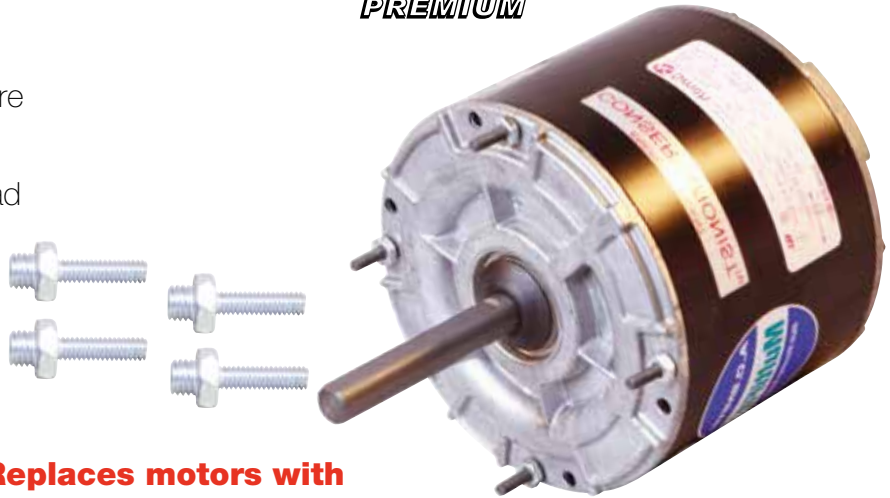
Part #	HP	Volts	Amps	RPM	Dia	Rot	Type	Body	Shaft	Comment
<b>M4-R2930</b>	<b>1/10</b>	115/208/230	4.0	1/1050	5.0"	CCW	SP	4.80"	2.3" x 3/8"	GE2121, 2122, 2223, 2321, 2322, RF6402
<b>M4-R2940</b>	<b>1/10</b>	115/208/230	4.0	1/1050	5.0"	CW	SP	4.80"	2.3" x 3/8"	GE2113, 2213, 2311, 2312, RF6403
<b>M4-R2942</b>	<b>1/10</b>	115/208/230	4.0	1/1550	5.0"	CCW	SP	4.80"	2.3" x 3/8"	GE2141, 2142, 2241, 2242, 2341, 2342, RF4400
<b>M4-R2932</b>	<b>1/10</b>	115/208/230	4.0	1/1550	5.0"	CW	SP	4.80"	2.3" x 3/8"	GE2131, 2132, 2231, 2232, 2331, 2332, RF4401

**Included**

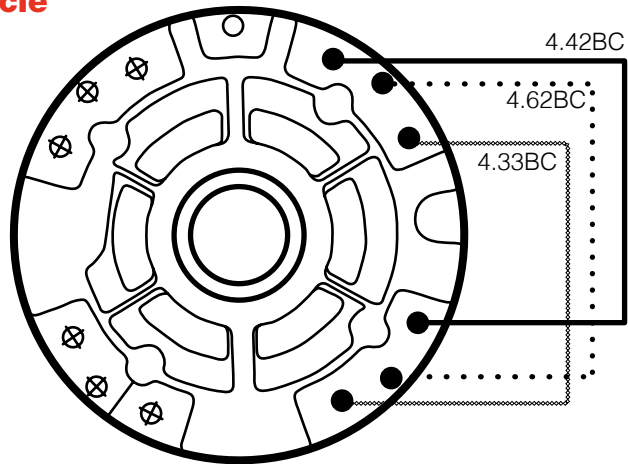
- Durable collar studs with 5/8" extension, 8-32 threads
- Extra mounting nuts with locking feature
- Easy-to-install plugs
- Mounting instructions with easy-to-read diagrams

**Features**

- North American Made
- Multi-Mounting System
- Single speed multi-horsepower replacement motor uses one simple connection
- Energy-efficient PSC design
- Easy-to-read connection diagram attached to white lead wire
- Water-resistant reversing plug
- Double sealed ball bearings for dependable long life
- Rubber shaft slinger keeps water and dirt out of motor
- Water-resistant rubber grommet at lead opening
- 60°C max ambient
- Class B insulation
- Lead length 36"
- 60 Hertz
- Totally enclosed
- Continuous duty, air over
- All-angle mount



**Replaces motors with a 4.33, 4.42 and 4.62 inch mounting bolt circle**



**Mounting System Replaces:**

**4.42BC**

AOS/Westinghouse Design  
Emerson 42-Frame (5" dia.)

**4.62BC**

GE 42-Frame (5" dia.)  
Fasco 42-Frame (5" dia.)  
AOS/Universal Electric Design

**4.33BC**

Emerson Clam-Shell  
GE Cap-Can

Part #	HP	Volts	Amps	RPM	Dia	Rot	Type	Body	Shaft
<b>M4-R2722</b>	<b>1/8, 1/10, 1/12</b>	208/230	0.9	1/1075	5.0"	Rev	5/370	4.0"	1/2" x 3"
<b>M4-R2723</b>	<b>1/4, 1/5, 1/6</b>	208/230	2.0	1/1075	5.0"	Rev	7.5/370	4.5"	1/2" x 3"
<b>M4-R2724</b>	<b>1/4, 1/5, 1/6</b>	208/230	1.6	1/1625	5.0"	Rev	5/370	4.5"	1/2" x 3"

**M4-R2722**

HP	RPM	Amps
1/8	1075	0.9
1/10	1135	0.6
1/12	1155	0.5

**M4-R2723**

HP	RPM	Amps
1/4	1075	2.0
1/5	1145	1.2
1/6	1165	1.0

**M4-R2724**

HP	RPM	Amps
1/4	1625	1.6
1/5	1715	1.0
1/6	1759	0.7

\* MultiFit™ is a trademark of A.O. Smith Corporation

## 5.5" Condenser Fan Replacement Motors

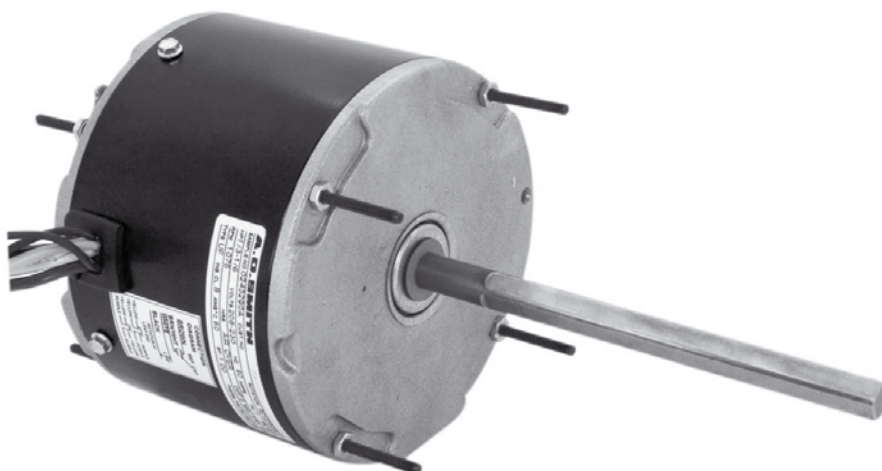
### Features

- North American Made
- Multi-application Condenser Fans
- Available in sleeve bearing or ball bearing
- Short 4" body
- Rheem mounting holes and screws supplied
- All Angle Mounting
- Class B or F insulation
- Energy Efficient PSC Design
- Removable Drain Plugs
- Reversible
- 60° or 70°C Ambient

**Shaft Up, Down  
or Horizontal**

# TruckStock™ PREMIUM

<b>Replacement For:</b>	Rheem
Emerson	1/6 Hp, 51-20668-11
K55HXTDD-8385	1/5 Hp, 51-23055-11
Catalog No. 5458	1/4 Hp, 51-23054-11
Consolidator II	1/3 Hp, 51-23053-11



### 60°C Ambient - Class B Insulation

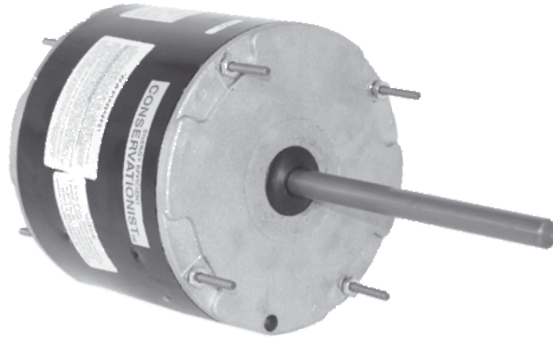
Part #	HP	Volt	Amps	Capacitor	RPM	Rot.	Encl.	Mount	Body	Bearing	Shaft
M2-R22403	1/3-1/8	208-230	2.1	7.5/370V	825	Rev	T.E.	Belly Band, Thrubolts or Shell Holes	4.875"	Sleeve	6.7" x 1/2"
M2-R22404	1/3-1/6	208-230	2.1	7.5/370V	825	Rev	T.E.		4.875"	Ball	6.7" x 1/2"
M2-R22401	1/3-1/6	208-230	2.0	7.5/370V	1075	Rev	T.E.		4.125"	Sleeve	6.7" x 1/2"
M2-R22402	1/3-1/6	208-230	2.0	7.5/370V	1075	Rev	T.E.		4.125"	Ball	6.7" x 1/2"

### 70°C Ambient - Class F Insulation

Part #	HP	Volt	Amps	Capacitor	RPM	Rot.	Encl.	Mount	Body	Bearing	Shaft
M2-R22405	1/8-1/15	208-230	1.0	5/370V	825	Rev	T.E.	Belly Band, Thrubolts or Shell Holes	4.50"	Sleeve	6.5" x 1/2"
M2-R22408	1/8-1/15	208-230	0.8	5/370V	825	Rev	T.E.		4.50"	Ball	6.5" x 1/2"
M2-R22418	1/8-1/15	208-230	0.8	5/370V	1075	Rev	T.E.		4.00"	Sleeve	6.5" x 1/2"
M2-R22420	1/8-1/15	208-230	0.8	5/370V	1075	Rev	T.E.		4.00"	Ball	6.5" x 1/2"
M2-R22410	1/3-1/8	208-230	2.1	7.5/370V	825	Rev	T.E.		4.875"	Sleeve	6.5" x 1/2"
M2-R22412	1/3-1/8	208-230	2.1	7.5/370V	825	Rev	T.E.		4.875"	Ball	6.5" x 1/2"
M2-R22415	1/3-1/8	460	2.1	7.5/370V	825	Rev	T.E.		5.125"	Ball	6.5" x 1/2"
M2-R22422	1/3-1/6	208-230	2.0	7.5/370	1075	Rev	T.E.		4.125"	Sleeve	6.5" x 1/2"
M2-R22425	1/3-1/6	208-230	2.0	7.5/370	1075	Rev	T.E.		4.125"	Ball	6.5" x 1/2"
M2-R22428	1/3-1/6	460	1.2	7.5/370	1075	Rev	T.E.		4.875"	Ball	6.5" x 1/2"
M2-R22430	1/2-1/5	208-230	2.5	10/370	825	Rev	T.E.		5.61"	Ball	6.5" x 1/2"
M2-R22435	1/2-1/5	208-230	3.6	10/370	1075	Rev	T.E.		5.36"	Ball	6.5" x 1/2"
M2-R22438	1/2-1/5	460	1.5	10/370	1075	Rev	T.E.		5.61"	Ball	6.5" x 1/2"

**Features**

- Multi-Rating Cap Supplied
- North American Made
- Less Inventory Required!
- Versatile!
- Time Saver!
- Easy Installations!
- Energy Efficient
- Different Capacitor/Speed Combos
- Designed for 370V Cap
- Reversible Rotation
- Extended Thru Bolts
- Automatic Protector
- Class B Insulation
- Continuous Duty Air Over
- Mounts by Belly Band, Thru Bolts or Shell Holes
- Rheem Mounting Holes in Shell
- 60 Hz



**Totally Enclosed  
Air Over - 60°C Ambient**



**Supplied Free In Every Box**

All-Purpose Capacitor

- Multi-Rating Capacitor
- 5, 7.5, 10, 12.5 & 15 MFD

Part #	HP	Spd.	RPM	Volt	Amps	Cap. (370V)		Bearing	Leads	Body	Shaft	
						208V	230V					
<b>M2-R22601</b>	1/3	High	825	208-230	1.9	10	mfd	7.5	Ball	36"	5.24"	1/2"x5"
	1/4				1.5							
	1/5	1.2										
	1/6	1.0										
<b>M2-R22603</b>	1/2	High	825	208-230	2.4	12.5	mfd	10	Ball	36"	5.61"	1/2"x6"
	1/3				1.7							
	1/4	1.4										
	1/5	1.1										
<b>M2-R22600</b>	1/3	High	1075	208-230	2.8	7.5	mfd	5	Sleeve	36"	4.86"	1/2"x6"
	1/4				2.0							
	1/5	1.7										
	1/6	1.5										
<b>M2-R22605</b>	1/3	High	1075	208-230	2.8	7.5	mfd	5	Ball	36"	4.86"	1/2"x6"
	1/4				2.0							
	1/5	1.7										
	1/6	1.5										
<b>M2-R22602</b>	1/2	High	1075	208-230	3.9	12.5	mfd	10	Ball	36"	5.24"	1/2"x5"
	1/3				2.2							
	1/4	1.6										
	1/5	1.3										
<b>M2-R22604</b>	3/4	High	1075	208-230	5.3	15	mfd	12.5	Ball	36"	5.87"	1/2"x6"
	1/2				3.0							
	1/3	1.9										
	1/4	1.0										

**Cross Reference**

Rotom	Emerson	Genteq	Fasco	Marathon	A.O. Smith
<b>M2-R22601</b>	5464, 5464H	3469, 3469HS	D2826	-	FE6001F
<b>M2-R22603</b>	-	-	-	-	FE6003F
<b>M2-R22600</b>					
<b>M2-R22605</b>	5462, 5462H	3465, 3465HS	D2827	X072	FE6000F
<b>M2-R22602</b>	5465, 5465H	3468, 3468HS	-	X076	FE6002F
<b>M2-R22604</b>	-	-	-	-	FE6004F

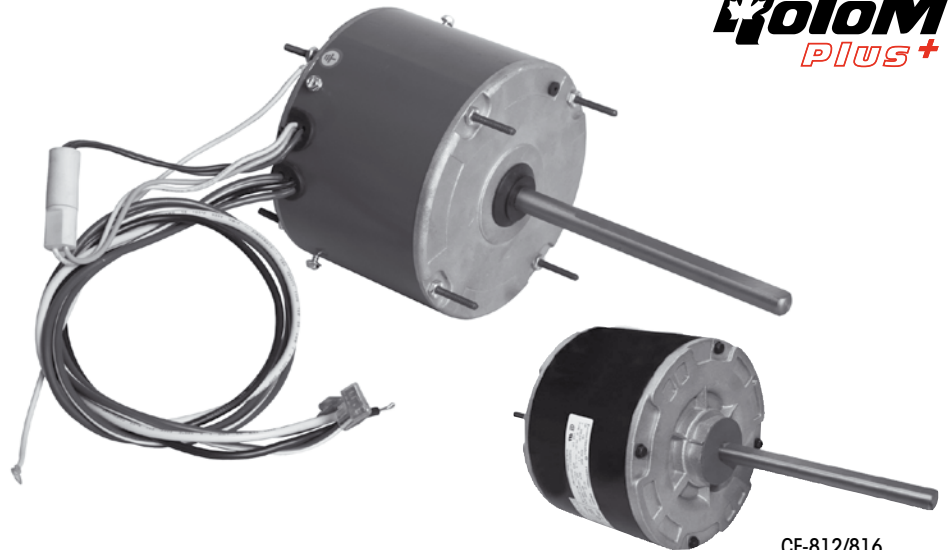


# 5.5" Condenser Fan Motors

## Condenser Fan Motors Features

**T.E. - All Angle!**

- 48Y Frame
- 5.5" Diameter
- Totally Enclosed - All Angle
- Mounting: Stud & Strap
- 60 Hz
- Rain Shields
- Reversible
- Permanent Split Capacitor (P.S.C.)
- 25.6" Coloured Electrical Leads
- 60°C Ambient (where noted)
- Insulation Class B
- Thermally Protected



**Rotom Plus+**

CF-812/816

**24 Month Warranty**

**Applications:**

Residential & commercial outdoor air conditioning condensers & refrigeration condensers.

### Condenser Fan

Part #	HP	Voltage	Amps	Cap.	RPM	Rotation	A Dim.	Bearing	Shaft
<b>CF-3726*</b>	<b>1/6</b>	208/230	1.3	5/370	1/1075	Revers.	4.25"	Ball	5.5" x 1/2"
<b>CF-816</b>	<b>1/6</b>	208/230	1.1	5/370	1/825	Revers.	4.25"	Ball	6.0" x 1/2"
<b>CF-3732*</b>	<b>1/4</b>	208/230	2.2	5/370	1/1075	Revers.	4.25"	Ball	5.5" x 1/2"
<b>CF-814</b>	<b>1/4</b>	208/230	1.5	5/370	1/825	Revers.	5.00"	Ball	6.5" x 1/2"
<b>CF-3733</b>	<b>1/3</b>	208/230	2.8	7.5/370	1/1075	Revers.	4.50"	Ball	6.0" x 1/2"
<b>CF-813</b>	<b>1/3</b>	208/230	1.9	7.5/370	1/825	Revers.	5.00"	Ball	6.5" x 1/2"
<b>CF-3734</b>	<b>1/2</b>	208/230	4.2	10/370	1/1075	Revers.	5.50"	Ball	6.5" x 1/2"
<b>CF-812</b>	<b>1/2</b>	208/230	2.7	10/370	1/825	Revers.	5.61"	Ball	6.0" x 1/2"
<b>CF-3735</b>	<b>3/4</b>	208/230	4.5	10/370	1/1075	Revers.	5.75"	Ball	5.5" x 1/2"

Capacitor Not Included

\*60°C Ambient

### Cross Reference

Rotom	HP	Bearing	AO Smith	Diversitech	Emerson	Fasco	Embraco	GE	Marathon	Packard	UE	Rotom
CF-3726	1/6	Sleeve	FSE1016S, SV1	WG840727	1859	D917		3727	X411		184	R31700
	1/6	Ball	FE1016S						X427			
CF-816	1/6	Ball	EM3403							60825		
CF-3732	1/4	Sleeve	FSE1026S, SV1	WG840728	1860	D909	E221	3728	X412		176	R31702
	1/4	Ball	FE1026S, SB		1876	D7909		3732	X428			
CF-814	1/4	Sleeve	FSE1028S		1874	D934, D797			X450		474, 739	R22445
	1/4	Ball	FE1028S, F1028			D792		3040	X097			
CF-3733	1/3	Sleeve	FSE1036S, SV1	WG840729	1861	D908	E222	3729	X413		175	R31703
	1/3	Ball	FE1036S, SB		1877	D7908		3733				
CF-813	1/3	Sleeve	FSE1038S		1875	D936, D796			X451		475, 740	R22345
	1/3	Ball	FE1038S, F1038			D791		3026	X086		476	
CF-3734	1/2	Sleeve	FSE1056S, SV1	WG840730	1862	D907	E223	3730	X414		187	R31705
	1/2	Ball	FE1056S, SB		1878	D7907		3734			5578	
CF-812	1/2	Ball	EM3746									
CF-3735	3/4	Sleeve	FSE1076S, SV1		1868			3731	X095		779	R31706
	3/4	Ball	FE1076S		1879	D931		3735			668	

Motors Are Sleeve Bearing Unless Indicated - Rotation Determined Opposite Shaft End (Double Shaft Determined By Lead End)

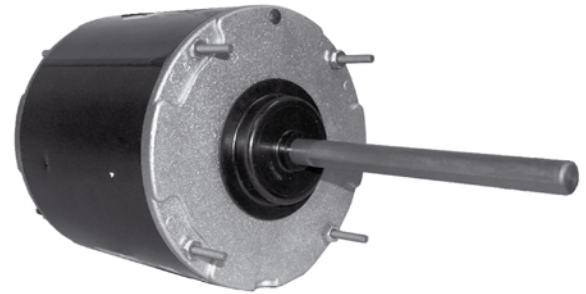
## 5.5" Dia. Totally Enclosed Condenser Fan Motors

- 60°C Ambient • High Efficiency PSC • 48 Frame • All Angle
- Reversing Plug • 6.0" x 1/2" Shaft • 1 1/2" Extended Thru Bolts Both Ends

### DIRECT REPLACEMENT FOR:

- Armstrong
- Carrier
- Climate Master
- Comfortaire
- Frigidaire
- Goodman
- ICP
- Lennox
- Miller
- Olsen
- Rheem Ruud
- York
- Trane

**High Ambient & Energy Efficient**



**Totally Enclosed All Angle**

### 460 Volt - Single Phase

Part #	H.P.	RPM	Amps	Bearing	Cap
M2-R31710	1/4	1075	0.80	Ball	7.5/370
M2-R31712	1/3	1075	0.90	Ball	7.5/370
M2-R31718	1/2	1050	1.40	Ball	10/370
M2-R31716	3/4	1075	2.70	Ball	10/370

### 575 Volt - Single Phase

Part #	H.P.	RPM	Amps	Bearing	Cap
R6-R42604	1/3	1100	0.80	Ball	7.5/440
R6-R42605	1/2	1625	1.00	Ball	7.5/440
R6-R42606		1100	1.10	Ball	7.5/370
R6-R42607	3/4	1075	1.60	Ball	15/370

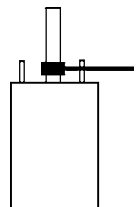
## Anti Windmill Brake

Helps Eliminate Motor Burnout

Part #	Description
92-AW12	For 1/2" Shaft
92-AW58	For 5/8" Shaft



**STOPS**  
ROOFTOP CONDENSER MOTORS  
REVERSING WHEN IDLE



## 5.5" Condenser Fan and Direct Drive Motors

### Features

- Economical TruckStock Option!
- Less Inventory Required!
- Versatile!
- Time Saver!
- Easy Installations!
- Energy Efficient
- Different Capacitor/Speed Combos
- Designed for 370V Cap
- Reversible Rotation
- Extended Thru Bolts
- Automatic Protector
- Class B Insulation
- Continuous Duty-Over Air
- Mounts by Belly Band, Thru Bolts or Shell Holes
- Rheem Mounting Holes in Shell
- 60 Hz



### Condenser Fan

Part #	HP	Spd.	RPM	Volt	Amps	Cap	Bearing	Leads	Body	Shaft
<b>M2-R23469</b>	1/3-1/5	Two	825	208-230	1.9-1.2	10/370 or 7.5/370	Ball	26"	5.24"	1/2"×6"
<b>M2-R23465</b>	1/3-1/5	Two	1075	208-230	2.8-1.7	7.5/370 or 5/370	Ball	26"	4.86"	1/2"×6"
<b>M2-R23468</b>	1/2-1/4	Two	1075	208-230	3.9-1.6	12.5/370 or 10/370	Ball	26"	5.24"	1/2"×6"

### Cross Reference

Rotom	Diversitech	Smart	A.O. Smith
<b>M2-R23469</b>	WG840469	SE3469	EM3469
<b>M2-R23465</b>	WG840465	SE3465	EM3465
<b>M2-R23468</b>	WG840468	SE3468	EM3468

### Direct Drive

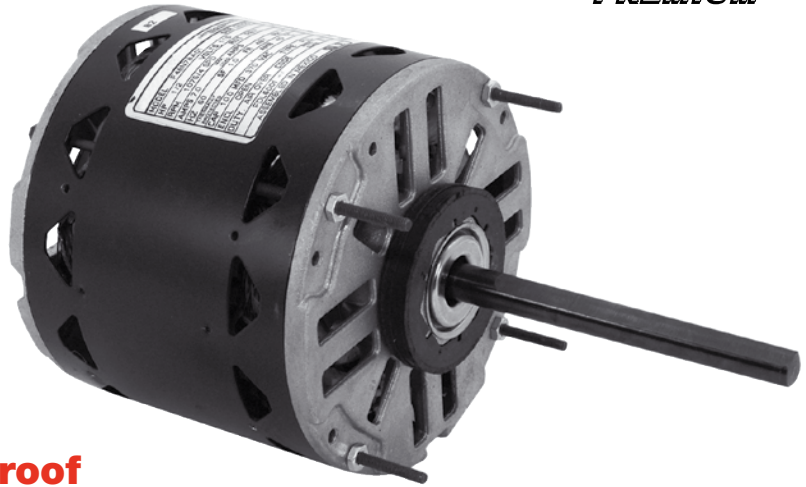
Part #	HP	Spd.	RPM	Volt	Amps	Cap	Bearing	Leads	Body	Shaft
<b>R6-R43463</b>	1/2-1/6	Four	1075	115	7.0	10/370, 7.5/370, 5/370	Sleeve	38"	4.86"	1/2"×5"
<b>R6-R43464</b>	1/2-1/6	Four	1075	208-230	3.9	10/370, 7.5/370, 5/370	Sleeve	38"	4.86"	1/2"×5"
<b>R6-R43466</b>	3/4-1/5	Four	1075	115	9.1	10/370, 7.5/370, 5/370	Sleeve	38"	4.86"	1/2"×5"
<b>R6-R43467</b>	3/4-1/5	Four	1075	208-230	3.9	10/370, 7.5/370, 5/370	Sleeve	38"	4.86"	1/2"×5"

### Cross Reference

Rotom	A0 Smith	Emerson	Genteq	Fasco	Marathon	Diversitech	Smart	Carrier	Carrier	York
R6-R43463	EM3463	5460	3463	D2835	X077	WG840463	SE3463	P257-E5460	T257-3463	S1-FHM3463
R6-R43464	EM3464	5461	3464	D833	X073	WG840464	SE3464	P257-E5461	T257-3464	S1-FHM3464
R6-R43466	EM3466	5470	3466	D2834	X074	WG840466	SE3466	P257-E5470	T257-3466	S1-FHM3466
R6-R43467	EM3467	5471	3467	D2833	X075	WG840467	SE3467	P257-E5471	T257-3467	S1-FHM3467

**Features**

- Multi-Rating Cap Supplied
- North American Made
- Less Inventory Required!
- Versatile!
- Time Saver!
- Easy Installations!
- Energy Efficient
- Different Capacitor/Speed Combos
- Designed for 370V Cap
- Reversible Rotation
- Resilient Rings
- Extended Thru Bolts
- Automatic Protector
- Class B Insulation
- 48 Frame
- Continuous Duty Air Over
- Belly Band, Thru Bolts or Shell Holes
- Rheem Mounting Holes in Shell
- 60 Hz



**Open Drip Proof**  
**40°C Ambient**



**Supplied Free In Every Box**

All-Purpose Capacitor

- Multi-Rating Capacitor
- 5, 7.5, 10, 12.5 & 15 MFD

Part #	HP	Spd.	RPM	Volt	Amps	Capacitor (370V)	Bearing	Leads	Body	Shaft
<b>R6-R43600</b>	1/2	All	1075	115	7.0	5 mfd 7.5*	Sleeve	26"	4.86"	1/2"x5"
	1/3	All			6.7					
	1/4	Lo, Med-Lo, Med-Hi			4.4					
	1/5	Low, Med-Lo			3.2					
<b>R6-R43601</b>	1/6	Lo	1075	208-230	2.4	5 mfd 7.5*	Sleeve	26"	4.86"	1/2"x5"
	1/2	All			3.9					
	1/3	All			3.6					
	1/4	Lo, Med-Lo, Med-Hi			2.5					
<b>R6-R43602</b>	1/5	Lo, Med-Lo	1075	115	1.8	5 mfd 7.5*	Ball	38"	4.86"	1/2"x5 1/2"
	1/6	Lo			1.3					
	3/4	All			9.1					
	1/2	All			6.8					
<b>R6-R43603</b>	1/3	All	1075	208-230	5.5	5 mfd 7.5*	Ball	38"	4.86"	1/2"x5 1/2"
	1/4	Lo, Med-Lo, Med-Hi			3.0					
	1/5	Lo, Med-Lo			2.3					
	3/4	All			3.9					
<b>R6-R43603</b>	1/2	All	1075	208-230	3.6	5 mfd 7.5*	Ball	38"	4.86"	1/2"x5 1/2"
	1/3	All			3.0					
	1/4	Lo, Med-Lo, Med-Hi			2.3					
	1/5	Lo, Med-Lo			2.0					

\* Motor is approximately 10% stronger and has higher starting torque for 1/6, 1/5, 1/4 and 1/3 HP rating with the 7.5 mfd 370VAC capacitor.

**Cross Reference**

Rotom	Emerson	Genteq	Protech	Fasco	Marathon	A.O. Smith
<b>R6-R43600</b>	5460	3463	51-23012-41	D2835	X077	FDL6001A
<b>R6-R43601</b>	5461	3464	51-23022-41	D833	X073	FD6000A
<b>R6-R43602</b>	5470	3466	-	D2834	X074	FDL6002A
<b>R6-R43603</b>	5471	3467	-	D2833	X075	FD6001A

## Features

- 48Y Frame
- 5.5" Diameter
- Open Enclosure
- Mounting: Stud, Strap & Base (Resilient Rings)
- 60 Hz
- Sleeve Bearing
- Shaft: 4.0" x 1/2"
- Reversible
- Permanent Split Capacitor (P.S.C.)
- 40°C Ambient
- Insulation Class B
- Thermally Protected



**40°C Ambient**

**24 Month Warranty**



**92-A8617**

Torsion Flex Bracket  
5.0" & 5.5" Dia.

**9" & 10" Bolt Circles**



**92-A8550 - 5" Diameter**

**92-A8555 - 5.5" Diameter**

**9" & 10" Bolt Circles**



5.5" Diameter for

1/2 HP and above

**92-A8556 - 9" Bolt Circle**

**92-A8557 - 10" Bolt Circle**

**HEAVY DUTY**

## 115 & 208/230 Volt, 3 Speed, 1075 RPM, Reversible Rotation

Part #	HP	Volts	Amps	Cap.	SPD/RPM	Rotation	Body	Bearing	Shaft
<b>DD-3583</b>	<b>1/4</b>	115	4.8	5/370	3/1075	Revers.	4.22"	Sleeve	1/2"x4.0"
<b>DD-3584</b>	<b>1/4</b>	208/230	2.0	5/370	3/1075	Revers.	4.22"	Sleeve	1/2"x4.0"
<b>DD-3585</b>	<b>1/3</b>	115	5.5	7.5/370	3/1075	Revers.	4.37"	Sleeve	1/2"x4.0"
<b>DD-3586</b>	<b>1/3</b>	208/230	2.8	5/370	3/1075	Revers.	4.48"	Sleeve	1/2"x4.0"
<b>DD-3587</b>	<b>1/2</b>	115	7.5	10/370	3/1075	Revers.	5.25"	Sleeve	1/2"x4.0"
<b>DD-3588</b>	<b>1/2</b>	208/230	3.6	10/370	3/1075	Revers.	5.23"	Sleeve	1/2"x4.0"
<b>DD-3589</b>	<b>3/4</b>	115	10.2	15/370	3/1075	Revers.	5.48"	Sleeve	1/2"x4.0"
<b>DD-3590</b>	<b>3/4</b>	208/230	5.4	10/370	3/1075	Revers.	5.48"	Sleeve	1/2"x4.0"

Capacitor Not Included

## Cross Reference

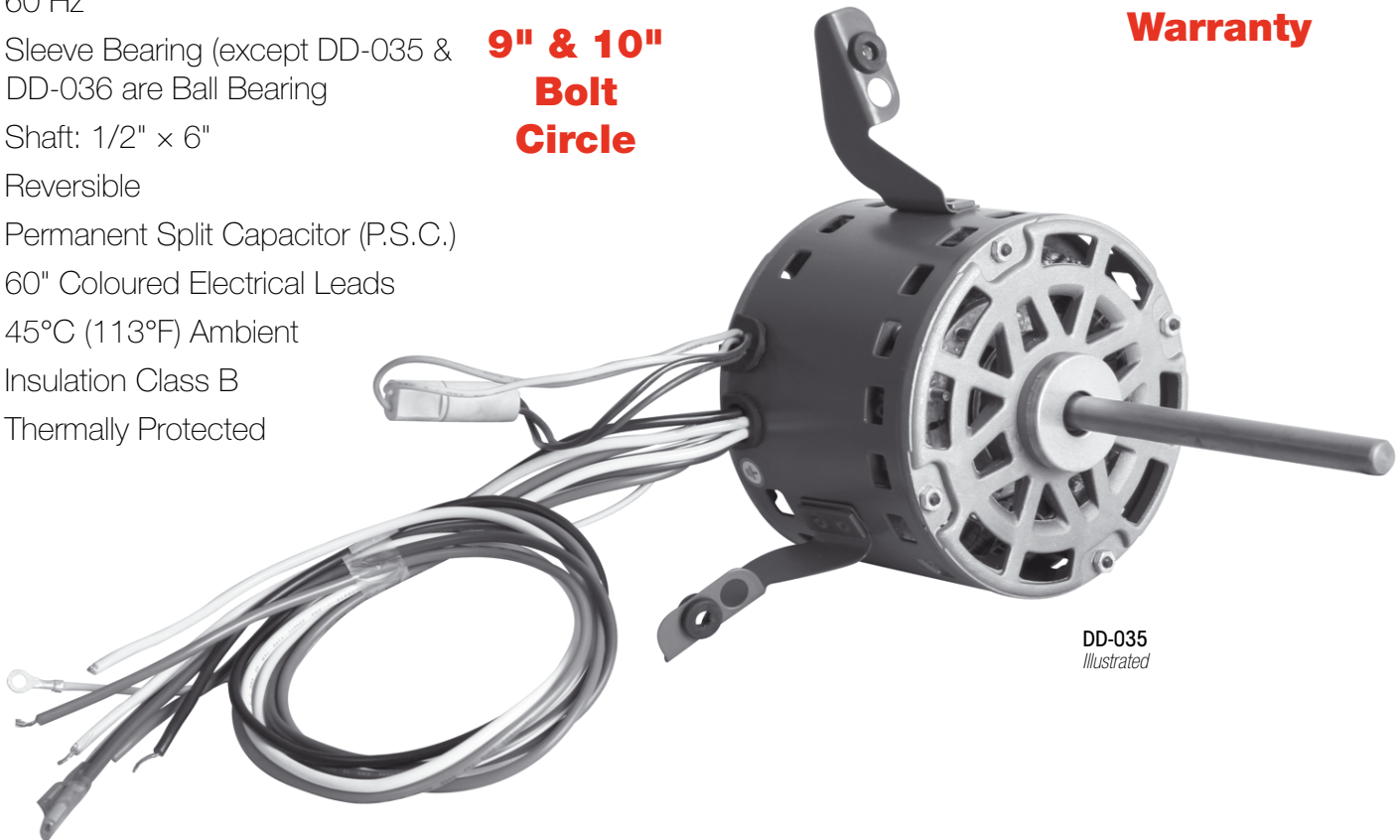
Rotom	AO Smith	AO Smith	Emerson	Genteq	Fasco	Marathon	Packard	Diversitech	Smart	Carrier	Carrier	York	UE	Rotom
DD-3583	EM3583	DL1026	1863	3583	D721	X000	43583	WG840583	SE3583	P257-8583	P257-3583	S1-FHM3583	533	R43583
DD-3584	EM3584	D1026	1971	3584	D725	X001	43584	WG840584	SE3584	P257-8584	P257-3584	S1-FHM3584	530	R43584
DD-3585	EM3585	DL1036	1864	3585	D727	X002	43585	WG840585	SE3585	P257-8585	P257-3585	S1-FHM3585	532	R43585
DD-3586	EM3586	D1036	1972	3586	D923	X003	43586	WG840586	SE3586	P257-8586	P257-3586	S1-FHM3586	529	R43586
DD-3587	EM3587	DL1056	1865	3587	D701	X004	43587	WG840587	SE3587	P257-8587	P257-3587	S1-FHM3587	531	R43587
DD-3588	EM3588	D1056	1973	3588	D703	X005	43588	WG840588	SE3588	P257-8588	P257-3588	S1-FHM3588	528	R43588
DD-3589	EM3589	DL1076	8904	3589	D728	X009	43589	WG840589	SE3589	P257-8589	P257-3589	S1-FHM3589	678	R43589
DD-3590	EM3590	D1076	8905	3590	D729	X010	43590	WG840590	SE3590	P257-8590	P257-3590	S1-FHM3590	679	R43590

### Features

- 48Y Frame
- 5.5" Diameter
- Open Enclosure
- Mounting: Flex
- 60 Hz
- Sleeve Bearing (except DD-035 & DD-036 are Ball Bearing)
- Shaft: 1/2" x 6"
- Reversible
- Permanent Split Capacitor (P.S.C.)
- 60" Coloured Electrical Leads
- 45°C (113°F) Ambient
- Insulation Class B
- Thermally Protected

**9" & 10"  
Bolt  
Circle**

**24 Month  
Warranty**



DD-035  
Illustrated

### 115 & 208/230 Volts, 4 Speed, 1075 RPM, Reversible Rotation

Part #	HP	Volts	Amps	Cap.	A Dim.	Bearing	Shaft
DD-034	1/4	115	3.6	5/370	3.40"	Sleeve	1/2" x 6"
DD-044		208/230	1.7	5/370	3.40"	Sleeve	1/2" x 6"
DD-035	1/3	115	5.0	10/370	4.30"	Ball	1/2" x 6"
DD-045		208/230	2.3	10/370	4.30"	Sleeve	1/2" x 6"
DD-036	1/2	115	7.6	10/370	4.85"	Ball	1/2" x 6"
DD-046		208/230	3.8	10/370	4.85"	Sleeve	1/2" x 6"

Capacitor Not Included

### Cross Reference

Rotom	AO Smith	Fasco	GE	Marathon	UE	Rotom
DD-034	FML1026	D1730	3783	X034	752	R42034, R42419
DD-044	-	D1733	3784	-	-	R42449
DD-035	FML1036	D1731	3785	X035	753, 947	R42035, R42319
DD-045	FM1036	D1734	3786	-	-	R42349
DD-036	FML1056	D1732	3787	X036	754	R42036, R 42219
DD-046	FM1056	D1735	3788	-	-	R42249

# Fan Coil Motors

## ECM Fan Coil Motors

### Features

- Drop-in replacement • Brushless DC • 3 Speeds • 5 1/8" Diameter • 54" lead length
- ECM with internal control • Long life ball bearings • Rotors are isolated from shaft to reduce motor vibration • Saves an average of 69% on energy usage • Runs cooler

Part #	HP	Volts	Rot	Amps	RPM Range	Shaft	Frame
<b>M4-R2189</b>	<b>1/10</b>	120	CWLE	1.6	3/1100,900,700	9.3" x 1/2" x 9.3"	5.0"

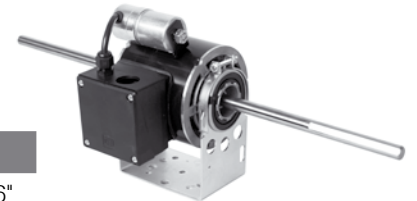


## PSC Fan Coil Motors

### Features

- Type: PSC • Double Shaft • Volts: 115/60 Hz • Enclosure: Open end-bells • Thermally Protected
- Capacitor Included • Ball Bearing • Insulation Class B • Protection Class IP20 • Base Mount Included

Part #	HP	Volts	Amps	Spd/RPM	Dia	Rot	Type	Cap	Shaft
<b>EC-FC-1893</b>	<b>1/15</b>	115	0.96	6/1550	4.8"	CW	PSC	6.3/450	1/2" x 7.26"
<b>EC-FC-1895</b>	<b>1/4</b>	115	3.80	6/1550	4.8"	CW	PSC	18/450	1/2" x 7.26"



## Tempspec Replacement Fan Coil Motors

### 9" or 10" Bolt Circle

Part #	HP	Volts	Amps	Type	Cap.	RPM	Rot.	Body	Frame	Bearing	Shaft	Cross
<b>M4-R2195</b>	<b>1/12</b>	115	2.10	PSC	7.5/370	3/740	CCW	3.75"	5.0"	Sleeve	3.4"x1/2"	DE3F056N
<b>M4-R799</b>	<b>1/8</b>	115	3.00	PSC	5/370	5/1000	CCW	3.87"	5.0"	Ball	5.0"x1/2"	L350, L450, L600, UE DA3E200, DA3F100, DA3G142



## Fan Coil Motors

Heating & Air Conditioning • High Rise Apartment • Condominium • Hotel  
**ONE MOTOR DOES ALL THREE! Bedroom, Living Room, Common Area.**

DD-030 Replaces : 5KCP39DGV279S

Part #	HP	Amps	Cap.	RPM	Body	Frame	Shaft
<b>DD-030</b>	<b>1/6</b>	2.6	Inc.	5/950	3.98"	48	1/2"x4.5"

**Wiring Diagram**

- WHITE COMMON LINE
- COMMON AREA BLACK 1800RPM - 1/8 HP
- YELLOW 300RPM
- BLUE 800RPM
- LIVING ROOM YELLOW 300RPM - 1/10 HP
- BLUE 800RPM
- ORANGE 700RPM
- BEDROOM BLUE 800RPM - 1/12 HP
- ORANGE 700RPM
- RED 800RPM

**Direct Replacement For:**

- Climetec
- Snyder-General
- Tempspec
- Unilux



## Fan Coil Blowers

Heating & Air Conditioning • High Rise Apartment • Condominium • Hotel

Part #	CFM	"A" Dim.
<b>66-RFC300</b>	<b>300</b>	6.75"
<b>66-RFC400</b>	<b>400</b>	8.25"
<b>66-RFC600</b>	<b>600</b>	9.00"

### Applications

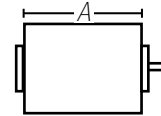
- Heating & Air Conditioning
- High Rise Apartment
- Condominium
- Hotel



Motors Sold Separately

**Features**

- 48 Frame
- 5.5" Diameter
- Open Drip Proof
- Resilient Ring & Base Included
- 60 Hz
- Sleeve Bearing
- Shaft: 1/2" x 1.5" W/ Flat
- Reversible
- Split Phase
- 45°C (113°F) Ambient
- Insulation Class B
- Thermally Protected



**BF-4701**  
*Illustrated*

**Belted Fan**

Part #	HP	Volts	Amps	S.F.	RPM	Rot.	A Dim.	Bearing	Shaft
<b>BF-4701</b>	<b>1/4</b>	115	5.0	1.35	1/1725	Rev	6.25"	Sleeve	1/2" x 1.5"
<b>BF-4706</b>	<b>1/3</b>	115	6.8	1.35	1/1725	Rev	6.25"	Sleeve	1/2" x 1.5"
<b>BF-4708</b>	<b>1/2</b>	115	8.0	1.25	1/1725	Rev	6.75"	Sleeve	1/2" x 1.5"

**Cross Reference**

Rotom	AO Smith	Emerson	Fasco	GE	Marathon	UE	Rotom
<b>BF-4701</b>	GF2024	840CV	D6002	4701, H701	D127, B206, B303	-	R840
<b>BF-4706</b>	GF2034	841CV	-	4706, H711	D143, B207	-	R841
<b>BF-4708</b>	GF2054	1542C	-	4708	D162, B208	-	R1542



# Condenser Fan Motors

## 5.5" Diameter Fan Canopy Motors

### Replacement For:

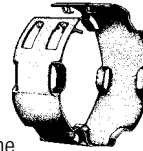
Addison, Bohn, Comfortaire,  
Carrier, Keeprite, York

- Reversible • 48 Frame
- Auto Protection • Shaft 4 5/8" x 1/2"
- High Thrust Capacity • Heavy Duty
- 60°C or 70°C Ambient
- Ball Bearing

Frame  
Adapter

**92-A4856**

Converts 48 Frame  
Motors to 56 Frame Motors



M5-S1512 Illustrated

Part #	HP	RPM	Volts	Amps 230	Amps 460	Amps 575	AMB	Shaft	Cap
<b>Single Phase</b>									
M5-S1502	1/3	1/1075	200/230/460	3.20	1.60		70°C	3.6"×1/2"	5/440
M5-S1504	1/2	1/1075	200/230/460	4.00	2.00		70°C	3.6"×1/2"	7.5/440
M5-S1503	1/2	1/1075	200/230/460	4.00	2.00		70°C	3.6"×1/2"	7.5/440
M5-S1510	3/4	1/1075	200/230/460	4.60	2.30		70°C	3.6"×1/2"	20/370
M5-S1512	3/4	1/1075	200/230/460	4.60	2.30		70°C	3.5"×5/8"	20/370
M5-S1514*	1	1/1075	200/230/460	6.40	3.20		70°C	4.0"×5/8"	25/370
M5-S1516*	1	1/1075	575			2.20	60°C	4.0"×5/8"	25/370
M5-S1518*	1½	1/1075	200/230/460	7.00	3.50		70°C	4.0"×5/8"	25/370
<b>Three Phase</b>									
M5-T1532	1/2	1/1140	200/230/460	3.00	1.50		70°C	3.5"×1/2"	-
M5-T1534	3/4	1/1140	200/230/460	4.00	2.00		70°C	4.0"×5/8"	-
M5-T1536	3/4	1/1140	575			1.50	60°C	4.0"×5/8"	-
M5-T1538*	1	1/1140	200/230/460	5.60	2.80		70°C	4.0"×5/8"	-
M5-T1539	1	1/1140	575			1.30	40°C	4.0"×5/8"	-
M5-T1542*	1½	1/1120	200/230/460	5.80	2.90		70°C	4.0"×5/8"	-

\* - Includes 92-A4856

## Fan Canopy Condenser Fan - Replacements For: Carrier

5.5" Diameter • Single Phase • Lug Mounting • Semi Enclosed • Reversible

Ball Bearing • Auto Protection • 60°C Ambient • 2.5"×1/2" Shaft

Part #	HP	RPM	Volts	Amps	Cross Ref
M5-S1507A	1/2	1/1075	200/230/460	4.6/2.3	HC43VL460/600
M5-S1506A	1/2	1/1075	575	1.80	HC43VE575



M5-S1507  
Illustrated

6.5" Diameter • Single Phase • 56 Frame • CCW Rotation • Open Drip

Ball Bearing • Auto Protection • PSC • 3.6" × 5/8" Shaft

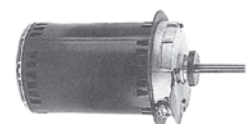
Part #	HP	RPM	Volts	Amps	Cross Ref
M5-S1453	1	1/1075	200/230/460	6.5	HC5ITE200/230/460
M5-S1455	1	1/1075	575	2.10	HC5ITE575



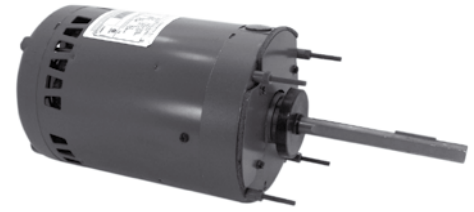
M5-S1455  
Illustrated

Three Phase • P56Z Frame • 208-230/460 & 575 Volt • 5/8" × 3 1/2" Shaft

Part #	HP	RPM	Volts	Amps	Cross Ref
UE-H978	SPL	1140	200/230/460/575	5.5/2.8-3.4	HD52AK652



- Auto Protector
- Service Factor 1.0
- Class B Moisture-Resistant Ins.
- Double Sealed Ball Bearing
- 60°C Ambient
- 60 Hz
- 1" (Min.) Extended Thru Bolts
- Quick-Connect Design



### Single Phase

Part #	HP	Voltage	Amps	Cap.	RPM	Rot.	A Dim.	Bearing	Shaft	Base	Comment
<b>M5-S1450</b>	<b>1/2</b>	230	2.7	10/370	1/825	Rev	8.6"	Ball	6.1" x 5/8" Keyed & Flat	92-A8279	Trane, Carrier, Climatrol, York, X208
<b>M5-S1452</b>	<b>3/4</b>	460/200-230	1.9/4.0	10/370	1/1075	Rev	10.25"	Ball	6.0" x 5/8" Keyed & Flat	92-A8280	Trane, Carrier, Climatrol, York, X207
<b>M5-S1454</b>	<b>1</b>	460/200-230	2.4/4.8	25/370	1/1075	Rev	10.75"	Ball	6.0" x 5/8" Keyed & Flat	92-A8279	Trane, Carrier, Climatrol, York, C770
<b>M5-S1451</b>	<b>1</b>	575	2.2	25/370	1/1075	Rev	11.31"	Ball	6.0" x 5/8" Keyed & Flat	-	-
<b>M5-S1456</b>	<b>1 1/2</b>	460/200-230	3.3/6.6	25/370	1/1075	Rev	12.06"	Ball	6.0" x 5/8" Keyed & Flat	-	Trane, Carrier, Climatrol, York, C771

- Auto Protector
- Class B Moisture-Resistant Insulation
- Double Sealed Ball Bearing
- Quick-Connect Design
- Service Factor 1.0
- 60°C Ambient
- 60 Hz



### Three Phase

Part #	HP	Voltage	Amps	Encl.	RPM	Rot.	A Dim.	Bearing	Shaft	Base	Comment
<b>M5-T2532</b>	<b>1/2</b>	460/200-230	1.3/2.8-2.6	Open OSE	1/1140	Rev	10.31"	Ball	6.0" x 5/8" Keyed & Flat	92-A8280	Climate Master, Dunham Bush, X500
<b>M5-T2529</b>	<b>1/2</b>	575	0.8	TEAO	1/1140	Rev	9.12"	Ball	3.44" x 5/8" Keyed & Flat	-	H977
<b>M5-T2534</b>	<b>3/4</b>	460/200-230	1.5/2.8-3.0	Open OSE	1/1140	Rev	10.31"	Ball	6.0" x 5/8" Keyed & Flat	92-A8279	Keeprite, York, Trane, Carrier, Lennox, H567
<b>M5-T2535</b>	<b>3/4</b>	575	1.25	Open OSE	1/1140	Rev	10.31"	Ball	6.0" x 5/8" Keyed & Flat	Rigid	-
<b>M5-T2537</b>	<b>1</b>	460/200-230	2.0/4.4-4.0	Open OSE	1/850	Rev	9.36"	Ball	4.88" x 5/8" Keyed & Flat	92-A8281	Blanchard Ness, Hussmann, SPL
<b>M5-T2539</b>	<b>1</b>	575	1.6	Open OSE	1/850	Rev	10.25"	Ball	3.31" x 5/8" Keyed & Flat	-	Blanchard Ness, Hussmann, H962
<b>M5-T2538</b>	<b>1</b>	460/200-230	2.6/5.3-5.2	Open OSE	1/1140	Rev	10.81"	Ball	6.0" x 5/8" Keyed & Flat	92-A8283	Keeprite, York, Trane, Carrier, Lennox, H667
<b>M5-T2540</b>	<b>1</b>	575	2.0	Open OSE	1/1140	Rev	10.81"	Ball	6.0" x 5/8" Keyed & Flat	92-A8283	Keeprite, York, Trane, Carrier, Lennox, X522
<b>M5-T2542</b>	<b>1 1/2</b>	460/200-230	3.0/5.8-6.0	Open OSE	1/1140	Rev	10.81"	Ball	6.0" x 5/8" Keyed & Flat	92-A8282	Keeprite, York, Trane, Carrier, Lennox, H767
<b>M5-T2543</b>	<b>1 1/2</b>	575	2.3	Open OSE	1/1140	Rev	10.81"	Ball	6.0" x 5/8" Keyed & Flat	92-A8282	Keeprite, York, Trane, Carrier, Lennox, H963
<b>M5-T2544</b>	<b>2</b>	460/208-230	7.2	-	1/1140	Rev	11.1"	Ball	5.0" x 5/8" Keyed & Flat	-	Cancoil, X509
<b>M5-T2545</b>	<b>2</b>	460/208-230	3.1/6.8-6.2	Open OSE	1/1140	Rev	12.00"	Ball	3.63" x 5/8" Keyed & Flat	-	70°C Ambient
<b>M5-T2536</b>	<b>2</b>	575	2.7	-	1/1140	Rev	11.1"	Ball	5.0" x 5/8" Keyed & Flat	-	Cancoil, X526

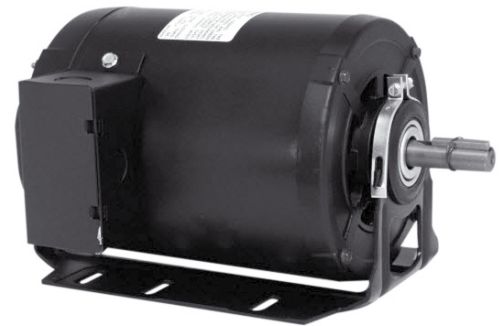
# 6.5" Three Phase Motors

## ODP Resilient Base



### Features

- Ball Bearing
- 40°C Ambient
- Class B Insulation
- 60 HZ
- Continuous Duty
- 1/4 thru 3 HP
- Open Drip Proof



### Three Phase

Part #	HP	Voltage	Amps	SF	RPM	Rot. A	Dim.	Bearing	Shaft	Comment
M5-T2110	1/2	460/200-230	1.5/2.5-3.0	1.25	1/1725	Rev	12.2"	Ball	1.875" x 5/8" Keyed	YORK 24-15447-004, R1433A424
M5-T2113	1/2	575	0.70	1.25	1/1725	Rev	11.1"	Ball	1.875" x 5/8" Keyed	
M5-T2118	3/4	460/200-230	1.7/2.9-3.4	1.25	1/1725	Rev	12.2"	Ball	1.875" x 5/8" Keyed	BALDOR M3112A, FASCO D5626, MARATHON G101, CENTURY H851
M5-T2121	3/4	575	0.90	1.25	1/1725	Rev	11.1"	Ball	1.875" x 5/8" Keyed	MARATHON G962
M5-T2130	1	460/200-230	1.9/3.5-3.8	1.15	1/1725	Rev	12.7"	Ball	1.875" x 5/8" Keyed	MARATHON G100
M5-T2135	1	575	1.5	1.15	1/1725	Rev	12.7"	Ball	1.875" x 5/8" Keyed	YORK 24-13763-000, BLANCHARD E3016, R1453P323
M5-T2142	1 1/2	460/200-230	2.3/4.7-4.6	1.30	1/3450	Rev	12.9"	Ball	1.875" x 5/8" Keyed	HC54AE652, HC54DL651,653, P261-7501, R1463A244
M5-T2137	1 1/2	575	1.8	1.15	1/3450	Rev	12.9"	Ball	1.875" x 5/8" Keyed	
M5-T2140	1 1/2	460/200-230	2.8/5.0-5.6	1.15	1/1725	Rev	12.9"	Ball	1.875" x 5/8" Keyed	BALDOR RM3154A, FASCO D5630, MARATHON G126, CENTURY H853
M5-T2143	1 1/2	575	2.0	1.20	1/1725	Rev	11.1"	Ball	1.875" x 5/8" Keyed	
M5-T2156	2	460/200-230	2.9/6.0-5.8	1.20	1/3450	Rev	13.9"	Ball	1.875" x 5/8" Keyed	CARRIER HD56AE700, HD56DZ851, YORK 24-17671-003, R1473A244
M5-T2157	2	575	2.4	1.20	1/3450	Rev	13.9"	Ball	1.875" x 5/8" Keyed	YORK 24-10521-000, R1473P344
M5-T2158	2	460/200-230	3.5/6.6-7.0	1.15	1/1725	Rev	11.5"	Ball	2.3" x 7/8" Keyed	DUNHAM BUSH 0390080, R1473A243
M5-T2155	2	575	2.4	1.20	1/1725	Rev	13.1"	Ball	2.3" x 7/8" Keyed	
M5-T2164	3	460/200-230	4.3/9.0-8.6	1.15	1/3450	Rev	13.8"	Ball	2.3" x 7/8" Keyed	CARRIER HD58AE700, YORK 24-10341-000, R1483P244
M5-T2165	3	575	3.6	1.15	1/3450	Rev	13.8"	Ball	2.3" x 7/8" Keyed	YORK 24-10341-000, R1483P244, P56P2T11B2, R1483P344
M5-T2166	3	460/200-230	4.4/9.0-8.8	1.15	1/1725	Rev	12.2"	Ball	2.3" x 7/8" Keyed	HD56DL206, HD58DL205,851, WW94X161, WW94X232, P-8-4347
M5-T2167	3	575	3.6	1.15	1/1725	Rev	14.6"	Ball	2.3" x 7/8" Keyed	GENERAL REPLACEMENT



## Air 2000

Part #	HP	Volts	Amps	Type	RPM	Rot.	Body	Frame	Bearing	Cap	Shaft	Cross
<b>R3-R316</b>	<b>1/20</b>	115	1.36	SP	1550	CCW	2.7"	3.3"	Ball	-	1.6"×1/4"	80093

## Nutech

Part #	HP	Volts	Amps	Type	RPM	Rot.	Body	Frame	Bearing	Cap	Shaft	Cross
<b>O1-R465</b>	<b>1/15</b>	115	1.98	SP	3/1550	CW	4.0"	3.3"	Sleeve	-	2.3"×5/16"×2.3"	Electrohome 2868-513-133, 152, Nutech Lifebreath 23202
<b>M4-R2655</b>	<b>1/12</b>	115	1.10	PSC	1/1550	CCW	3.0"	5.0"	Sleeve	5/370	2.8"×3/8"×2.9"	AO812B2355 Fasco 7184-0254
<b>M4-R2324</b>	<b>1/12</b>	115	1.40	PSC	1/1550	CCW	3.6"	5.0"	Ball	3/370	2.8"×3/8"×2.6"	Nubreath 23-204, GE5KCP298G8560BS, Fasco 7185-0242

## Vanee

Part #	HP	Volts	Amps	Type	RPM	Rot.	Body	Frame	Bearing	Cap	Shaft	Cross
<b>R3-R348</b>	<b>1/15</b>	110/115	1.12	PSC	2/1550	CCW	4.1"	3.3"	Sleeve	4/370	3.35"×3/8"	Heat Recovery Motor M1703, Fasco 7190-0369

## Venmar

Part #	HP	Volts	Amps	Type	RPM	Rot.	Body	Frame	Bearing	Cap	Shaft	Cross
<b>R2-R462</b>	<b>1/17</b>	115	1.20	PSC	3/1660	CW	4.00"	3.3"	Sleeve	7.5/370	3.5"×3/8"×3.5"	02101, Fasco 7190-2271 Kit 12027, 12029, 12109
<b>R2-R438</b>	<b>1/14</b>	115	1.05	PSC	2/1600	CW	4.25"	3.3"	Sleeve	4/370	1.55"×5/16"	01038, Fasco 7190-2008
<b>R3-R366</b>	<b>1/7</b>	115	1.7	PSC	3/1630	CW	4.78"	3.3"	Sleeve	7.5/370	2.97"×3/8"×3"	02100, Fasco 7190-1523 Kit 1206, 12151
<b>R2-R422</b>	<b>1/6</b>	115	2.9	PSC	3/1690	CW	4.93"	3.3"	Sleeve	7.5/370	2.1"×3/8"	02209, Fasco 7190-1522



## Addison

Part #	HP	Volts	Amps	Type	RPM	Rot.	Body Dia	Bearing	Cap.	Shaft	Comments
<b>M2-R32727</b>	<b>1/5-1/8</b>	230	1.5-0.8	PSC	2/1075	CCW	4.4" 5.5"	Sleeve	5/370	3.75"x1/2"	1847-01-05, 8101-193, 8101-279, 18471-01-05, 19906-01-02, F54CKY-1379, F55BWM-1119, F55CDR-1259, F55CSH-1352, K55EBC-2608, K55ERC-3004, 8537
<b>M2-R32427</b>	<b>1</b>	208/230 /460	6.2 /3.1	PSC	1/1075	CCW	6.2" 5.5"	Ball	15/370	3.5"x5/8"	811N-0064A, F48F07B65

## Air 2000

Part #	HP	Volts	Amps	Type	RPM	Rot.	Body Dia	Bearing	Cap	Shaft	Comments
<b>R3-R316</b>	<b>1/20</b>	115	1.36	SP	1550	CCW	2.7" 3.3"	Ball	-	1.6"x1/4"	HRV Motor 80093

## Airdex

Part #	HP	Volts	Amps	Type	RPM	Rot.	Body Dia	Bearing	Cap	Shaft	Comments
<b>R7-RB245</b>	<b>1/25</b>	115	1.5	SP	1550	CCW	9.2" 3.3"	Sleeve	-	2.8" Wheel	AMU245, Airdex

## Amana

Part #	HP	Volts	Amps	Type	RPM	Rot.	Body Dia	Bearing	Cap	Shaft	Comments
<b>M2-R32118</b>	<b>1/12</b>	208/230	0.6	PSC	1/825	CW	3.86" 5.5"	Sleeve	5/370	2.25"x1/2"	1871, K55BGZ-6813
<b>M2-R31018</b>	<b>1/6</b>	208/230	1.1	PSC	1/825	CW	4.36" 5.5"	Sleeve	5/370	2"x1/2"	1873, K55BGW-6814

## American Air Filter

Part #	HP	Volts	Amps	Type	RPM	Rot.	Body Dia	Bearing	Cap.	Shaft	Comments
<b>M4-R2622</b>	<b>1/6-1/12</b>	115	3.70	PSC	4/1550	CCW	4.0" 5.0"	Sleeve	5/370	8.13"x1/2"x8.13"	7184-0354



## Arkla

Part #	HP	Volts	Amps	Type	RPM	Rot.	Body Dia	Bearing	Cap	Shaft	Comments	
<b>R6-R32317</b>	<b>1/3</b>	115	4.8	PSC	1/825	CCW	5.43"	5.5"	Ball	5/370	2.5"×1/2"	B14506-393, B14506-363, F48SR8V1, F48SP8V3, K8042, 2342, C729, 3M824, D795
<b>M2-R32237</b>	<b>1/2</b>	230	3.0	PSC	1/825	CCW	5.38"	5.5"	Ball	5/370	2.75"×1/2"	B14506-396, B14506-354, F48SR8V3, F48SR8V7, F48ST8V1, K8075

## Armstrong

Part #	HP	Volts	Amps	Type	RPM	Rot.	Body Dia	Bearing	Cap	Shaft	Comments	
<b>M4-R2691</b>	<b>1/5</b>	208/230	1.5	PSC	1/1075	CW	4.00"	5.0"	Sleeve	5/370	3.9"×1/2"	Magic Chef, 35035B001 Johnson Air Ease 322P859, CJK15,18,24,30,36, F42B59A01

## Arneg

Part #	Watts	Volts	Amps	Type	RPM	Rot.	Body Dia	Bearing	Shaft	Comments	
<b>EC-4W115V835</b>	<b>4</b>	115	0.40	SP	1/1550	CW	2.30"	-	Sleeve	Hubless	34410000
<b>EC-9W115V834</b>	<b>9</b>	115	0.58	SP	1/1550	CW	2.67"	-	Sleeve	Hubless	34410001
<b>EC-HE-0147</b>	<b>12</b>	115	0.18	ECM	1/1450	CW	3.61"	-	Ball	Hubless	34410013, 34410009, 24681010
<b>EC-HE-0170</b>	<b>12</b>	115	0.18	ECM	1/1450	CW	3.61"	-	Ball	Hubless	34410012 (for fan 34415010)

## Blanchard-Ness (cont. next page)

Part #	HP	Volts	Amps	Type	RPM	Rot.	Body	Frame	Bearing	Cap	Shaft	Comments
<b>R3-R326</b>	<b>1/110</b>	120	0.40	SP	1/1550	CW	2.09"	3.3"	Sleeve	-	1.4"×1/4"	Blower Coil Motors, E01001,2,3
<b>T1-R1014</b>	<b>1/100</b>	115	0.70	SP	1/3000	CW	0.875"	Skel	Sleeve	-	1.25"×0.1811"	Bohn, Hussman Evap. Motor E1014, J238-087-8104
<b>R3-R302</b>	<b>1/100</b>	240	0.30	SP	1/1550	CW	1.94"	3.3"	Sleeve	-	1.3"×1/4"	Blower Coil Motors, E01004
<b>R3-R358</b>	<b>1/20</b>	120	2.00	SP	1/1550	CCW	3.25"	3.3"	Sleeve	-	2.8"×5/16"	Blower Coil Motors, E01007,57,58
<b>R3-R359</b>	<b>1/20</b>	208/240	1.00	SP	1/1550	CCW	3.35"	3.3"	Sleeve	-	3.2"×5/16"	Blower Coil Motors, E01059
<b>R3-R1052</b>	<b>1/20</b>	120	2.00	SP	1/1550	CCW	3.10"	3.3"	Ball	-	3.2"×5/16"	Blower Coil Motors, E1052
<b>R3-R1053</b>	<b>1/20</b>	208/230	1.00	SP	1/1550	CCW	3.10"	3.3"	Ball	-	3.2"×5/16"	Blower Coil Motors, E1053



## Blanchard-Ness (cont. from previous page)

Part #	HP	Volts	Amps	Type	RPM	Rot.	Body	Frame	Bearing	Cap	Shaft	Comments
<b>R3-R313</b>	<b>1/15</b>	120	2.20	SP	1/1550	CCW	3.60"	3.3"	Ball	-	3.0" x 5/16"	Blanchard 5034LS, 5008SS, U-572
<b>R3-R314</b>	<b>1/15</b>	208/230	1.30	SP	1/1550	CCW	3.60"	3.3"	Sleeve	-	3.0" x 5/16"	Blanchard 5044MS, 5008TS, U-573
<b>M2-R22445</b>	<b>1/4</b>	208/230	1.50	PSC	1/825	Rev	5.11"	5.5"	Sleeve	5/370	6" x 1/2"	E1026
<b>M2-R22746</b>	<b>1/3</b>	208/230	2.60	PSC	1/1075	Rev	4.80"	5.5"	Sleeve	7.5/370	6" x 1/2"	E1022, E1025
<b>M2-R22745</b>	<b>1/2</b>	208/230	4.40	PSC	1/1075	Rev	4.80"	5.5"	Sleeve	5/370	6" x 1/2"	E1064
<b>M5-T2532</b>	<b>1/2</b>	208/230/460	2.80	3 Ph	1/1140	Rev	10.3"	6.5"	Ball	-	6" x 5/8"	E01020, 1066
<b>M5-T2537</b>	<b>1</b>	208/230/460	4.4	3 Ph	1/850	Rev	9.36"	6.5"	Ball	-	4.88" x 5/8"	E05026
<b>M5-T2539</b>	<b>1</b>	575	1.60	3 Ph	1/850	Rev	10.25"	6.5"	Ball	-	3.31" x 5/8"	E05027
<b>M5-T2544</b>	<b>2</b>	208/230/460	7.20	3 Ph	1/1140	Rev	11.1"	6.5"	Ball	-	5" x 5/8"	E05033
<b>M5-T2536</b>	<b>2</b>	575	2.70	3 Ph	1/1140	CW	11.1"	6.5"	Ball	-	5" x 5/8"	E05034

## Bohn

Part #	HP	Volts	Amps	Type	RPM	Rot.	Body	Dia	Bearing	Cap	Shaft	Comments
<b>O6-R511</b>	<b>1/350</b>	230	0.35	SP	1/1350	CW	1.7"	3.3"	Sleeve	-	2.0" x 1/4"	79105, 79115
<b>R3-R326</b>	<b>1/110</b>	120	0.40	SP	1/1550	CW	2.09"	3.3"	Sleeve	-	1.4" x 1/4"	79101
<b>T1-R605</b>	<b>1/55</b>	115	1.00	SP	1/2800	CW	0.90"	Skel	Sleeve	-	1.75" x 0.1811"	79103, 79104
<b>R3-R130</b>	<b>1/45</b>	230	0.80	SP	1/1550	CW	2.70"	3.3"	Sleeve	-	1.5" x 5/16"	79106, 79108, 79113, 5001M
<b>R3-R358</b>	<b>1/20</b>	115	2.00	SP	1/1550	CCW	3.25"	3.3"	Sleeve	-	2.8" x 5/16"	5001L, 8S, 4L
<b>R3-R359</b>	<b>1/20</b>	208/240	1.00	SP	1/1550	CCW	3.35"	3.3"	Sleeve	-	3.2" x 5/16"	5008T, 5034M
<b>R3-R313</b>	<b>1/15</b>	120	2.20	SP	1/1550	CCW	3.60"	3.3"	Ball	-	3.0" x 5/16"	5034LS, 5008SS, U-572
<b>R3-R314</b>	<b>1/15</b>	208/230	1.30	SP	1/1550	CCW	3.60"	3.3"	Sleeve	-	3.0" x 5/16"	5044MS, 5008TS, U-573



**Bohn (cont. from previous page)**

Part #	HP	Volts	Amps	Type	RPM	Rot.	Body	Dia	Bearing	Cap	Shaft	Comments
<b>US-R90573</b>	<b>1/15</b>	208/230	1.20	SP	1/1550	CCW	3.50"	3.3"	Sleeve	-	3.14"×5/16"	5KSM59LS2262AS, 5034MS, 5008TS
<b>US-R90572</b>	<b>1/15</b>	115	1.80	SP	1/1550	CCW	3.00"	3.3"	Sleeve	-	3.03"×5/16"	5KSM59JSK143S, 5KSM59JS5036S, 5034LS, 5008SS
<b>US-R90721</b>	<b>1/12</b>	115/208/230	1.1/1.6	PSC	1/1550	Rev	3.59"	3.3"	Ball	4/370	3.15"×5/16"	25308601, 25309101, 25311194, 25311195
<b>M5-S1502</b>	<b>1/3</b>	200/230/460	3.2/1.6	PSC	1/1075	Rev	7.30"	5.5"	Ball	5/440	3.5" × 1/2"	5015H
<b>M5-S1504</b>	<b>1/2</b>	200/230/460	4.00	PSC	1/1075	Rev	12.2"	5.5"	Ball	7.5/440	3.5" × 1/2"	5002P, 5003P
<b>M5-T1532</b>	<b>1/2</b>	200/230/460	1.50	3 Ph	1/1140	Rev	9.2"	5.5"	Ball	-	3.5" × 1/2"	5006T
<b>M5-T2537</b>	<b>1</b>	208/230/460	4.40	3 Ph	1/850	Rev	9.36"	6.5"	Ball	-	4.88" × 5/8"	E5028
<b>M5-T2539</b>	<b>1</b>	575	1.60	3 Ph	1/850	Rev	10.25"	6.5"	Ball	-	3.31" × 5/8"	E5027





## Carrier (cont. next page...)

Part #	HP	Volts	Amps	Type	RPM	Rot.	Body Dia	Bearing	Cap	Shaft	Comments	
<b>UE-580</b>	<b>1/20</b>	115	1.8	SP	1/3300	CCW	3.75"	3.3"	Sleeve	-	2.12" x 5/16"	JA1P053
<b>UE-570</b>	<b>1/20</b>	115/230	1.8/.92	SP	1/3000	CCW	6"	3.3"	Ball	-	2.5" x 1/4"	HC24AU600, HC24AU701
<b>UE-9625</b>	<b>1/16</b>	460	0.25	PSC	1/3450	CW	4.87"	3.3"	Ball	4/370	3.25" x 5/16"	HC30GB460, HC30GB462 JF1H101, JF1H091, D1184
<b>UE-9626</b>	<b>1/16</b>	208/230	0.48	PSC	1/3450	CW	4.87"	3.3"	Ball	4/370	3.25" x 5/16"	HC30GB230, HC30GB232 JF1H012, JF1H092, D1182
<b>M2-R33401</b>	<b>1/12</b>	208/230	0.53	PSC	1/1100	CW	3.62"	5.5"	Sleeve	5/370	2.18" x 1/2"	3401, HE39GE232
<b>M2-R33402</b>	<b>1/10</b>	208/230	0.7	PSC	1/1100	CW	3.5"	5.5"	Sleeve	5/370	2.18" x 1/2"	3402, HC39GE233
<b>UE-170B</b>	<b>1/6, 1/10, 1/15</b>	208/230	1.1	PSC	3/1625	CCW	3.75"	5.5"	Sleeve	5/370	8.5" x 1/2" x 8.5"	5KCP39CGA401T
<b>UE-513A</b>	<b>1/6, 1/8, 1/10</b>	208/230	1.3	PSC	3/1040	CW	3.8"	5.5"	Sleeve	3/370	7" x 1/2" x 2.18"	124279, 128560
<b>M2-R31014</b>	<b>1/6</b>	208/230	0.9	PSC	1/1500	CCW	3.62"	5.5"	Sleeve	5/370	2.18" x 1/2"	OCA1014
<b>M2-R35453</b>	<b>1/6</b>	208/230	.80/.95	PSC	1/1075	CCW	3.62"	5.5"	Sleeve	3/370	3.62" x 1/2"	5453, K55JGH-2667
<b>UE-9650</b>	<b>1/6</b>	208/230	1.2	PSC	2/1075	CCW	3.62"	5.5"	Sleeve	4/370	3.18" x 1/2"	9650
<b>M2-R22152</b>	<b>1/5-1/6</b>	208/230	1.30	PSC	2/1050	Rev	3.40"	5.5"	Sleeve	5/440	4.0" x 1/2"	HC37VE230, 600
<b>M4-R2387</b>	<b>1/5</b>	115	7.8	SP	4/1050	CCW	4.1"	5.0"	Sleeve	-	4.81" x 1/2"	OCB6427
<b>M4-R2981</b>	<b>1/5</b>	115	9.8	SP	4/1050	CCW	4.0"	5.0"	Sleeve	-	4" x 1/2"	2981
<b>M2-R33400</b>	<b>1/5</b>	208/230	1, 1.1	PSC	1/825	CW	4.25"	5.5"	Sleeve	7.5/370	2.12" x 1/2"	3400, HC37GE208



M2-R22844



M2-R22000



M2-R42440



R6-R42540



R6-R42526



R6-R43404



M2-R22012



M2-R22011



M2-R32036



M2-R22036



R6-R48008



R6-R42415



M2-R35301



M1-R63116



M2-R22017

## Carrier (cont. from previous page)

Part #	HP	Volts	Amps	Type	RPM	Rot.	Body	Dia	Bearing	Cap	Shaft	Comments
M2-R22844	1/4	230	1.4	PSC	1/1625	CCW	3.87"	5.5"	Sleeve	4/370	4" x 1/2"	D844, 3064, 5KCP39BG7524S 5KCP39BGK007T
M2-R22000	1/4	230	2.1	PSC	1/1075	CCW	3.75"	5.5"	Sleeve	5/370	3.25" x 1/2"	F48SF6MA5, F48SJ6M5, 3158 F48SG6MA10
M2-R42440	1/4	208/230	2.2	PSC	2/1075	Rev	3.75"	5.5"	Sleeve	5/370	4.31" x 1/2"	F48SJ6MA, D843, 3303 F48SG6MA16
R6-R42540	1/4	208/230	2.1	PSC	1/1075	CCW	4.12"	5.5"	Sleeve	5/370	3.25" x 1/2"	OCT1026S
R6-R42526	1/4	230	1.6	PSC	2/1075	Rev	4.37"	5.5"	Sleeve	5/370	5.5" x 1/2"	K8009
R6-R43404	1/4	208/230	1.3,1.5	PSC	1/1100	CW	4.12"	5.5"	Sleeve	5/370	2.12" x 1/2"	3404
M2-R22012	1/3-1/4	208/230	2.50	PSC	2/1075	Rev	4.00"	5.5"	Sleeve	5/370	4.0" x 1/2"	HC41VE700, 701
M2-R22011	1/3	208/230	2.5	PSC	2/1075	Rev	4.62"	5.5"	Ball	5/370	4.24" x 1/2"	OCA1036
M2-R32036	1/3	208/230	2.5	PSC	2/1075	CCW	4.25"	5.5"	Sleeve	5/370	3.5" x 1/2"	OCF1036
M2-R22036	1/3	208/230	2.9	PSC	1/1075	CCW	4.25"	5.5"	Sleeve	5/370	3.5" x 1/2"	OCE1036
R6-R48008	1/3	230	1.8	PSC	2/1075	Rev	4.37"	5.5"	Sleeve	5/370	5.5" x 1/2"	K8008
R6-R42415	1/3	115	5.7	PSC	4/1050	CCW	5.37"	5.5"	Sleeve	Internal	4.62" x 1/2"	OCB4036SP
M2-R35301	1/3	208/230	2.8	PSC	2/1075	CW	4.0"	5.5"	Sleeve	5/370	3.37" x 1/2"	3123, D845, 5KCP39HGA206T, 5KCP39HG7611S, P251- 5301, PS2126-2
M1-R63116	1/2	115	7.5	PSC	4/1075	CCW	5.12"	5.5"	Sleeve	7.5/370	7.75" x 1/2" x 4.36"	HC43SZ116
M2-R22017	1/2	208/230	4.0	PSC	1/1075	CCW	7.37"	5.5"	Ball	7.5/370	4.37" x 1/2"	F48J6A1, F48J6A2, F48J6A5 P107, 3132, 5KCP37PG361S



## Carrier (cont. from previous page)

Part #	HP	Volts	Amps	Type	RPM	Rot.	Body	Dia	Bearing	Cap	Shaft	Comments
<b>M5-S1507A</b>	<b>1/2</b>	208/230 460	4.6/2.3	PSC	1/1075	Rev	6.37"	5.5"	Ball	7.5/440	1.56" x 1/2"	OCA1056
<b>M5-S1506A</b>	<b>1/2</b>	575	1.8	PSC	1/1075	CCW	5.62"	5.5"	Ball	7.5/440	1.56" x 1/2"	5OCA1056
<b>M1-R52294</b>	<b>1/2</b>	208/230	3.0	PSC	3/1075	CCW	5.0"	5.5"	Sleeve	7.5/370	2.75" x 1/2" x 7.5"	OCB1056
<b>R6-R42575</b>	<b>1/2</b>	575	1.0	3 PH	1/1140	Rev	7.0"	5.5"	Ball	-	2.5" x 1/2"	P48J6A2, HD44ML461
<b>R6-R42652</b>	<b>3/4</b>	208/230 460	2.5/ 1.25	3 PH	1/1725	Rev	10.0"	5.5"	Ball	-	1.93" x 5/8"	HD54KF652, HD46GA800
<b>R6-R46230</b>	<b>3/4</b>	208/230	3.8	3 PH	1/1140	Rev	8.75"	5.5"	Ball	-	3.0" x 1/2"	HD46GL230
<b>R6-R46460</b>	<b>3/4</b>	460	1.9	3 PH	1/1140	Rev	8.75"	5.5"	Ball	-	3.0" x 1/2"	HD46GK460
<b>M2-R32050</b>	<b>3/4</b>	575	1.65	PSC	3/1025	Rev	6.50"	5.5"	Ball	15/370	4.0" x 1/2"	Rooftop Evap. Motor
<b>M2-R32051</b>	<b>3/4</b>	460	2.15	PSC	3/1075	Rev	6.63"	5.5"	Ball	15/370	4.0" x 1/2"	ThermoPlus HC45AL460
<b>R6-R46651</b>	<b>SPL</b>	208/230 460	3.6/1.8	3 PH	1/1725	Rev	9.87"	6.5"	Ball	-	2.0" x 1/2"	HD56FK651, P56A01A02
<b>UE-H978</b>	<b>SPL</b>	208/230 460/575	5.5/2.8 3.4	3 PH	1/1140	Rev	11.37"	6.5"	Ball	-	3.6" x 5/8"	HD52AK652, MAG. 176055
<b>M5-S1453</b>	<b>1</b>	200/230 460	6.5	PSC	1/1075	CCW	10.20"	6.5"	Ball	30/370	3.6" x 5/8"	HC5ITE200/230/430
<b>M5-S1455</b>	<b>1</b>	575	2.10	PSC	1/1075	CCW	10.20"	6.5"	Ball	30/370	3.6" x 5/8"	HC5ITE575
<b>UE-H980</b>	<b>3</b>	208/230 460	10.6/ 4.8	3 Ph	1/1725	Rev	14.94"	6.5"	Ball	-	7/8" x 2 5/16"	HD60FK651, MAG. 176500
<b>UE-H979</b>	<b>5</b>	208/230 460	15/7.4	3 Ph	1/1725	Rev	15.93"	6.5"	Ball	-	7/8" x 2 5/16"	HD60FK652, MAG. 182779



## Chromalox

Part #	HP	Volts	Amps	Type	RPM	Rot.	Body	Dia	Bearing	Cap	Shaft	Comments
<b>M4-R2639</b>	<b>1/20</b>	208/240	0.42	PSC	2/1075	CW	3.34"	5.0"	Sleeve	3/370	1.95"x1/2"	01103-100, UE CE3E001N
<b>M1-R52170</b>	<b>1/4</b>	208/230	2.1	SP	1/1725	Rev	7.0"	5.5"	Sleeve	-	5.5"x1/2"x5.5"	07589, GE 7J399GX, Marathon 48S17D1240

## Climate Master

Part #	HP	Volts	Amps	Type	RPM	Rot.	Body	Dia	Bearing	Cap	Shaft	Comments
<b>M5-T2541</b>	<b>1</b>	575	1.70	3 Ph	1/1140	CW	8.22"	6.5"	Ball	-	5.0"x5/8"	GE 5J999GBX, Marathon 56T105308

## Coldstream

Part #	HP	Volts	Amps	Type	RPM	Rot.	Body	Dia	Bearing	Cap	Shaft	Comments
<b>R1-R128</b>	<b>1/135</b>	115	0.35	SP	1/1550	CW	2.09"	3.3"	Sleeve	-	0.6" Hub-less	2868-505-023, 2868-505-072
<b>O6-R230</b>	<b>1/70</b>	115	0.64	SP	1/2800	CCW	2.30"	3.3"	Sleeve	-	1.3" x 1/4"	2862-405-003, 2862-405-010
<b>R1-R122</b>	<b>1/60</b>	230	0.35	SP	1/1550	CW	2.50"	3.3"	Sleeve	-	0.6" Hub-less	SM122
<b>R1-R121</b>	<b>1/60</b>	230	0.35	SP	1/1550	CCW	2.50"	3.3"	Sleeve	-	0.6" Hub-less	76121, D430, 64
<b>R1-R137</b>	<b>1/60</b>	115	0.59	SP	1/1550	CW	2.20"	3.3"	Sleeve	-	0.6" Hub-less	76051
<b>R7-RB323</b>	<b>1/20</b>	115	0.65	SP	1/1640	CCW	17.5"	Skel	Sleeve	-	-	Coca-Cola 359323, 512082



## Comfort Air

Part #	HP	Volts	Amps	Type	RPM	Rot.	Body Dia	Bearing	Cap	Shaft	Comments	
<b>M2-R32050</b>	<b>3/4</b>	575	1.65	PSC	3/1025	Rev	6.50"	5.5"	Ball	15/370	4.0" x 1/2"	Commercial Rooftop
<b>M2-R32051</b>	<b>3/4</b>	460	2.15	PSC	3/1075	Rev	6.65"	5.5"	Ball	15/370	4.0" x 1/2"	43G52

## Copeland (cont. next page)

Part #	Watts	Volts	Amps	Type	RPM	Rot.	Body Dia	Bearing	Cap	Shaft	Comments	
<b>O4-R5911</b>	<b>5</b>	115	0.35	SP	1/1550	CW	2.58"	3.5"	Unit	-	Threaded	COPELAND 050-0010-00,0178-00 050-0246-01,HILL PP7577
<b>O4-R5311</b>	<b>6</b>	120	0.36	SP	1/1550	CW	2.8"	3.5"	Unit	-	Threaded	GE5311
<b>O4-R5421</b>	<b>9</b>	208/230	0.29	SP	1/1550	CW	2.8"	3.5"	Unit	-	Threaded	GE5421
<b>O4-R5411</b>	<b>9</b>	120	0.58	SP	1/1550	CW	2.8"	3.5"	Unit	-	Threaded	GE5411
<b>O4-R3531</b>	<b>35</b>	115	1.40	SP	1/1500	CW	3.6"	3.8"	Unit	-	Hubless	050-0367-03, 050-0367-06, 050-0367-10
<b>O4-R3532</b>	<b>35</b>	208/230	0.70	SP	1/1500	CW	3.6"	3.8"	Unit	-	Hubless	050-0367-01, 050-0367-08, 050-0367-11
<b>O4-R3512</b>	<b>35</b>	208/230	0.70	SP	1/1550	CW	3.5"	3.8"	Unit	-	Threaded	050-0227-02
<b>O4-R3511</b>	<b>35</b>	120	1.40	SP	1/1550	CW	3.5"	3.8"	Unit	-	Threaded	050-0227-01
<b>O4-R5011</b>	<b>50</b>	115	1.70	SP	1/1500	CW	4.5"	3.8"	Unit	-	1.5"x3/8"	050-0011-01, 0017-02, 050-0237-01
<b>O4-R5012</b>	<b>50</b>	208/230	0.85	SP	1/1550	CW	4.5"	3.8"	Unit	-	1.5"x3/8"	050-0017-01
<b>O4-R5022</b>	<b>50</b>	208/230	0.85	SP	1/1550	CCW	4.5"	3.8"	Unit	-	1.5"x3/8"	050-0011-00
<b>O4-R5031</b>	<b>50</b>	115	1.70	SP	1/1500	CW	4.5"	3.8"	Unit	-	Hubless	050-03440-01
<b>O4-R5032</b>	<b>50</b>	208/230	0.85	SP	1/1500	CW	4.5"	3.8"	Unit	-	Hubless	050-03440-00, 050-03440-10
<b>O4-R5460</b>	<b>50</b>	460	0.44	SP	1/1500	CW	4.5"	3.8"	Unit	-	Hubless	050-03440-03



## Copeland(cont. from previous page)

Part #	HP	Volts	Amps	Type	RPM	Rot.	Body	Dia	Bearing	Cap	Shaft	Comments
<b>UE-174A</b>	<b>1/6</b>	208/230	1.0	PSC	1/1625	Rev	4.0"	5.5"	Sleeve	5/370	2.5" x 1/2"	S3051
<b>R4-R6128</b>	<b>1/6</b>	230	1.5	PSC	1/1625	CW	3.87"	5.0"	Sleeve	5/370	2.5" x 1/2"	322P913, 050-0251-00, 128
<b>R4-R3047</b>	<b>1/4</b>	208/230	1.5	PSC	1/1625	CW	4.56"	5.5"	Sleeve	5/370	3.0" x 1/2"	3047, D783, K6124, 5KCP39GGD320T, 5KCP39GG3537S
<b>R4-R6129</b>	<b>1/4</b>	230	1.5	PSC	1/1625	CW	3.87"	5.0"	Sleeve	5/370	2.5" x 1/2"	322P914, 050-0250-00, 6129
<b>R4-R3124</b>	<b>1/3</b>	208/230	2.6	PSC	1/1625	CW	5.75"	5.5"	Ball	4/370	2.25"x1/2"	5KCP39KGB906AT, 5KCP39KGB906AS, 5KCP32KG259S, 050-0108-00, 050-0018-00, K55ECE2645, K55HXJNJ-2976, K55HXSZJ-8106, 3124, 6127, 5KCP32KG175S
<b>M5-S1502</b>	<b>1/3</b>	200/230/460	3.2/1.6	PSC	1/1075	Rev	7.3"	5.5"	Ball	5/440	3.5" x 1/2"	050-0015-00, 0105-00
<b>M5-T1536</b>	<b>3/4</b>	575	1.50	3 Ph.	1/1140	Rev	11.0"	5.5"	Ball	-	4.0" x 5/8"	050-0169-00, 01, 0236-00

## Cornelius / QBD

Part #	HP/W	Volts	Amps	Type	RPM	Rot.	Stack	Frame	Bearing	Cap	Shaft	Comments
<b>O4-R6247</b>	<b>5W</b>	115	0.35	SP	1/1550	CW	2.58"	3.5"	Unit	-	Threaded	R CORNELIUS
<b>T1-R621</b>	<b>1/187</b>	115	0.40	SP	1/3000	CW	0.55"	5.5"	Sleeve	-	1.29"x0.1811"	QBD 47-0410-001, -022, -015, IN DC5 & DC7



## Dundas Greenhouse

Part #	HP	Volts	Amps	Type	RPM	Rot.	Body	Dia	Bearing	Cap	Shaft	Comments
R7-RB141	1/30	115	1.1	SP	1/2860	CCW	5.5"	3.3"	Sleeve	-	-	Dundas Foundry Cooler Blower Fan D500, UE9492

## Dunham Bush

Part #	HP	Volts	Amps	Type	RPM	Rot.	Body	Dia	Bearing	Cap	Shaft	Comments
R1-R124	1/20	120	1.60	SP	1/1550	CCW	2.7"	3.3"	Ball	-	0.90" Hubless	350044, 46, MM2847
R1-R125	1/20	230	0.75	SP	1/1550	CCW	2.7"	3.3"	Ball	-	0.90" Hubless	350043, 45, MM2848
R6-R42811	1/8	120	2.70	PSC	1/1050	CCW	4.0"	5.5"	Sleeve	Inc	4.8" x 1/2"	350014, 16, E310025
M5-S1510	3/4	200/230/460	2.30	PSC	1/1075	Rev	12.2"	5.5"	Ball	20/370	3.6" x 1/2"	371027
M5-T2158	2	208/230/460	7.00	3 Ph	1/1725	Rev	11.5"	6.5"	Ball	-	2.3" x 7/8"	390080
M5-T2166	2	208/230/460	8.40	3 Ph	1/1725	Rev	12.2"	6.5"	Ball	-	2.3" x 7/8"	390082,87,88

## Emerson (Quiet Kool)

Part #	HP	Volts	Amps	Type	RPM	Rot.	Body	Dia	Bearing	Cap	Shaft	Comments
M4-R742	1/10	115	1.35	PSC	3/1080	CCW	3.37"	5.0"	Sleeve	4/370	3.5" x 1/2" x 4"	OEK6511
M4-R743	1/5	208/230	1.60	PSC	3/1400	CCW	3.8"	5.0"	Sleeve	5/370	3.5" x 1/2" x 4"	OEK4510
M4-R2630	1/3	208/230	2.40	PSC	1/1400	CW	4.12"	5.0"	Sleeve	6/370	5.0" x 1/2"	M15010



## Fedders

Part #	HP	Volts	Amps	Type	RPM	Rot.	Body	Dia	Bearing	Cap	Shaft	Comments
<b>M4-R2580</b>	<b>1/6</b>	115	2.0	PSC	3/1625	CCW	3.62"	5.0"	Sleeve	10/370	3.6"×1/2"×6.8"	M15580-3
<b>M4-R740</b>	<b>1/6</b>	230	2.2	SP	2/1050	CCW	3.12"	5.0"	Sleeve	-	2.8"×1/2"×4"	S196-00161-003, S196-00161-016
<b>M2-R22180</b>	<b>1/5</b>	230	1.3	PSC	1/1080	CCW	3.87"	5.5"	Sleeve	7.5/370	4.25" × 1/2"	S196-179-1, S196-HP127-1, S196-KP127-1, S196-66-1, D882, 7126-0320
<b>M4-R2339</b>	<b>1/5</b>	208/230	1.5	PSC	2/1350	CCW	3.37"	5.0"	Sleeve	4/370	3.6"×1/2"×2.7"	S202-00028-00, 11-33-90000-003, F42B11A23,
<b>M1-R52289</b>	<b>1/3</b>	208/230	2.2	PSC	3/1400	CCW	4.87"	5.5"	Sleeve	7.5/370	3.2"×1/2"×6.5"	S202-00034-002 F48F32A23 11-28-90000-004

## Foster

Part #	HP	Volts	Amps	Type	RPM	Rot.	Body	Dia	Bearing	Cap	Shaft	Comments
<b>R1-R119</b>	<b>1/85</b>	120	0.45	SP	1/1550	CCW	2.19"	3.3"	Sleeve	-	0.6" Hubless	61,62, D424, SM119
<b>R1-R127</b>	<b>1/75</b>	120	0.75	SP	1/1550	CCW	1.94"	3.3"	Sleeve	-	1.0" Hubless	2868-505-063
<b>R1-R122</b>	<b>1/60</b>	230	0.35	SP	1/1550	CW	2.19"	3.3"	Sleeve	-	0.6" Hubless	SM122
<b>R1-R121</b>	<b>1/60</b>	230	0.35	SP	1/1550	CCW	2.19"	3.3"	Sleeve	-	0.6" Hubless	76121, D430, 64
<b>R1-R101</b>	<b>1/45</b>	120	0.90	SP	1/1550	CW	2.19"	3.3"	Sleeve	-	0.7" Hubless	76101, SS101, D437, SM101
<b>R1-R103</b>	<b>1/45</b>	120	0.90	SP	1/1550	CCW	2.19"	3.3"	Sleeve	-	0.7" Hubless	76103, SS103, D436, SM103, SM104





## Friedrich

Part #	HP	Volts	Amps	Type	RPM	Rot.	Body	Dia	Bearing	Cap	Shaft	Comments
<b>M1-R52639</b>	<b>1/6</b>	230	0.8	PSC	5/1075	CCW	4.0"	5.5"	Sleeve	4/370	2.5"×1/2"×3.3"	D867, 323P225
<b>M1-R62350</b>	<b>1/3</b>	230	1.8	PSC	5/1075	CCW	4.87"	5.5"	Sleeve	5/370	2.5"×1/2"×2.6"	3002, 5KCP39MG9096S, 5KCP39MG9579S, 5KCP39MG71455, 5KC-P39LGG7205, K4340, D868

## GE 11 Frame Replacements

Part #	HP	Volts	Amps	Type	RPM	Rot.	Body	Dia	Bearing	Cap	Shaft	Comments
<b>US-R90671</b>	<b>1/15</b>	115/208/230	2.1/1.1	SP	1/1550	CW	5.00	11	Ball	-	2.24"×5/16"	671, 81671
<b>US-R90672</b>	<b>1/15</b>	115/208/230	2.1/1.1	SP	1/1550	CCW	5.00	11	Ball	-	2.24"×5/16"	672, 81672

## Goodman/Janitrol

Part #	HP	Volts	Amps	Type	RPM	Rot.	Body	Dia	Bearing	Cap	Shaft	Comments
<b>M2-R32251</b>	<b>1/6</b>	208/230	1.0	PSC	1/1075	CCW	3.87"	5.5"	Sleeve	5/370	3.75"×1/2"	B13400-251, 4M287, F48F96A76, F48A90A76, 3216
<b>M2-R22247</b>	<b>1/4</b>	208/230	1.5	PSC	1/1075	CCW	4.25"	5.5"	Sleeve	5/370	3.25"×1/2"	B13400-247, F48A91A76, 3218, F48F97A76

## Habco

Part #	HP	Volts	Amps	Type	RPM	Rot.	Stack	Dia	Bearing	Cap	Shaft	Comments
<b>T1-R606</b>	<b>1/134</b>	115	0.50	SP	1/3000	CCW	0.65"	Skel	Sleeve	-	1.10"×7/32"	H.A. Brown C021795
<b>T1-R607</b>	<b>1/49</b>	115	1.3	SP	1/2300	CCW	1.16"	Skel	Sleeve	-	1.75"×7/32"	H.A. Brown C021617, Bomax 301-6966



US-R90574



US-R90575



US-R90572



M4-R2155



M4-R2156



M4-R2157



M4-R2158



US-R90721



R1-R129



R4-R3001



R4-R3067



O4-R5911



O4-R5411



EC-HE-0182



EC-HE-0176



O4-R5711



O4-R5720



O4-R2011

## Heatcraft

Part #	HP	Volts	Amps	Type	RPM	Rot.	Body Dia	Bearing	Cap	Shaft	Comments
US-R90574	1/20	115	1.90	SP	1/1550	CW	2.75" 3.3"	Sleeve	-	2.48"x5/16"	7136-2113, 253-1194
US-R90575	1/20	230	0.89	SP	1/1550	CW	2.75" 3.3"	Sleeve	-	2.48"x5/16"	7136-3371, 253-1195
US-R90572	1/15	115	1.80	SP	1/1550	CCW	3.00" 3.3"	Sleeve	-	3.03"x5/16"	5KSM59JSK143S, 5KSM59JS5036S, 5034LS, 5008SS
M4-R2155	1/15,1/20,1/25	120	1.20	ECM	1/1625	CCW	2.85 5.0"	Ball	-	3.0"x5/16"	22617801, 22618001, 25307801, 25308001
M4-R2156	1/15,1/20,1/25	120	1.20	ECM	1/1625	CW	2.85 5.0"	Ball	-	3.0"x5/16"	2531194
M4-R2157	1/15,1/20,1/25	230	0.70	ECM	1/1625	CCW	2.85 5.0"	Ball	-	3.0"x5/16"	22617701, 22617901, 25307701, 25307901
M4-R2158	1/15,1/20,1/25	230	0.70	ECM	1/1625	CW	2.85 5.0"	Ball	-	3.0"x5/16"	2531195
US-R90721	1/12	115/ 208/230	1.1/6	PSC	1/1550	REV	3.59" 3.3"	Ball	4/370	3.15"x5/16"	25308601, 25309101, 2531194, 2531195

## Hill

Part #	HP/W	Volts	Amps	Type	RPM	Rot.	Body Dia	Bearing	Cap	Shaft	Comments
R1-R129	1/55	115	0.70	SP	1/3000	CCW	2.41" 3.3"	Sleeve	-	0.5" Hubless	PP32032E
R4-R3001	1/3	208/230	1.80	PSC	1/1625	CW	4.50" 5.5"	Sleeve	-	3.5" x 1/2"	GE3001, PP3955B
R4-R3067	1	208/230	7.10	PSC	1/1075	Rev	9.20" 5.5"	Ball	15/370	3.8" x 1/2"	GE3067, PP19162G
O4-R5911	6 W	115	0.40	SP	1/1550	CW	3.40" 3.5"	Unit	-	Threaded	PP7577M
O4-R5411	9 W	115	0.58	SP	1/1550	CW	2.80" 3.5"	Unit	-	Threaded	GE5411
EC-HE-0182	10W	115	0.19	ECM	1/1550	CW	3.61" -	Ball	-	Hubless	P079441C, P066237A
EC-HE-0176	15W	115	0.22	ECM	1/1600	CW	4.00" -	Ball	-	Hubless	P078449H
O4-R5711	15 W	115	0.37	PSC	1/1550	CW	3.50" 3.87"	Unit	-	Threaded	P41661
O4-R5720	15 W	115	0.37	PSC	1/1550	Rev	3.50" 3.87"	Unit	-	Threaded	P23956
O4-R2011	20 W	115	0.80	SP	1/1550	CW	3.75" 3.5"	Unit	-	Threaded	PP20934F



## Hussmann

Part #	Watts	Volts	CFM	Type	RPM	Rot.	Body	Dia	Bearing	Cap	Shaft	Comments
<b>O3-RF2466</b>	<b>14</b>	115VAC	105	-	3000	-	-	Axial	Ball	-	-	392466 PS2CDB51-125012012 Conair 039865
Part #	HP/W	Volts	Amps	Type	RPM	Rot.	Body	Dia	Bearing	Cap	Shaft	Comments
<b>EE-5610</b>	<b>6 W</b>	115	0.40	SP	1/1550	CW	3.30"	3.87"	Unit	-	Threaded	38360
<b>O4-R6711</b>	<b>6,9,12 W</b>	115	0.2-0.3	ECM	1/1550	CCW	2.53"	3.87"	Unit	-	Threaded	SVC #110.441.0546
<b>R1-R101</b>	<b>9 W</b>	115	0.90	SP	1/1550	CW	2.36"	3.3"	Sleeve	-	0.7" Hubless	Evap. Motor
<b>R1-R101L</b>	<b>9 W</b>	115	0.90	SP	1/1550	CW	2.36"	3.3"	Sleeve	-	0.7" Hubless	Evap. Motor w/ leg mount
<b>R1-R103</b>	<b>9 W</b>	115	0.90	SP	1/1550	CCW	2.36"	3.3"	Sleeve	-	0.7" Hubless	Evap. Motor
<b>R1-R103L</b>	<b>9 W</b>	115	0.90	SP	1/1550	CCW	2.36"	3.3"	Sleeve	-	0.7" Hubless	Evap. Motor w/ leg mount
<b>EE-5611</b>	<b>9 W</b>	115	0.52	SP	1/1550	CW	3.30"	3.87"	Unit	-	Threaded	47000, 58698
<b>O4-R5611</b>	<b>9 W</b>	115	0.60	SP	1/1550	CW	3.07"	3.87"	Unit	-	Threaded	7000, 58698
<b>O4-R5612</b>	<b>9 W</b>	115	0.60	SP	1/1550	CCW	3.07"	3.87"	Unit	-	Threaded	38360
<b>O4-R9211</b>	<b>13 W</b>	115	0.47	ECM	1/1725	CW	2.53"	3.87"	Unit	-	Hubless	4410547, 441-547
<b>O4-R5711</b>	<b>15 W</b>	115	0.37	PSC	1/1550	CW	3.50"	3.87"	Unit	-	Threaded	301263, 301264, 329646, 400603
<b>O4-R5720</b>	<b>15 W</b>	115	0.37	PSC	1/1550	Rev	3.50"	3.87"	Unit	-	Threaded	302555, 254582, 411151
<b>O4-R3511</b>	<b>35 W</b>	115	1.40	SP	1/1500	CW	3.50"	3.87"	Unit	-	0.7" Hubless	TFM351, HUSSMANN 328346, COPELAND 050- 0227-01
<b>R4-R3011</b>	<b>1/8</b>	230	1.00	PSC	1/1550	CW	3.75"	5.5"	Sleeve	5/370	2.0" x 1/2"	3011, 5KSP39DG2221S 5KSP39DG4220AS



R4-R30575



R4-R34201



R4-R3009



R4-R3012



R6-R49983



M5-T2538



M5-T2540



T1-R611



R1-R108

## Hussmann

Part #	HP/W	Volts	Amps	Type	RPM	Rot.	Body	Dia	Bearing	Cap	Shaft	Comments
<b>R4-R30575</b>	<b>1/6</b>	575	0.50	PSC	1/1550	Rev	4.50"	5.5"	Sleeve	Inc	2.2" x 1/2"	77238
<b>R4-R34201</b>	<b>1/5</b>	575	0.50	PSC	1/1075	CW	4.50"	5.5"	Sleeve	Inc	2.5" x 1/2"	204201
<b>R4-R3009</b>	<b>1/5</b>	230	1.60	PSC	1/1075	CW	4.25"	5.5"	Sleeve	5/370	3.0" x 1/2"	3009, D805 5KCP39GG3611AS
<b>R4-R3012</b>	<b>1/5</b>	208/230	1.40	PSC	1/1075	CW	4.18"	5.5"	Ball	5/370	3.0" x 1/2"	1648, K55CLN1782, K55HXKWA8573, 3008, 3012, 5KCP39GG5606S, 5KCP39GG765S, 5KCP39GGC052T, 5KCP39GN765, 5KSP39GGA967T, P011-96203
<b>R6-R49983</b>	<b>1/2</b>	208/230	2.70	PSC	1/1725	CW	5.18"	5.5"	Ball	5/370	3.5" x 1/2"	0644, 644, K644, K055SME164467, K55HXCTP9963, K55HXSME-1644, D890, 259983
<b>M5-T2538</b>	<b>1</b>	208/230/460	5.30	3 Ph	1/1140	Rev	10.81"	6.5"	Ball	-	6.0"x5/8"	170518, 502595
<b>M5-T2540</b>	<b>1</b>	575	2.00	3 Ph	1/1140	Rev	10.81"	6.5"	Ball	-	6.0"x5/8"	170517, KPN502597

## Ideal Evaporator Motor

Part #	HP	Volts	Amps	Type	RPM	Rot.	Body	Frame	Bearing	Cap	Shaft	Comments
<b>T1-R611</b>	<b>1/300</b>	115	0.54	SP	1/1550	CW	0.50"	Skel	Sleeve	-	2.2" x 0.1811"	SM601, 23303, 3008001
<b>R1-R108</b>	<b>1/100</b>	115	0.55	SP	1/1550	CCW	1.94"	3.3"	Sleeve	-	0.70" Hubless	124574, 76108, SM108



## Intercity

Part #	HP	Volts	Amps	Type	RPM	Rot.	Body Dia	Bearing Dia	Bearing Cap	Shaft	Comments	
<b>M3-R2609</b>	<b>1/30</b>	115	1.21	SP	1/1550	CW	3.0"	4.1"	Sleeve	-	2.4"×1/2"	Intercity, UE 009
<b>M3-R2612</b>	<b>1/30</b>	115	1.21	SP	1/1550	CCW	3.0"	4.1"	Sleeve	-	2.4"×1/2"	Intercity, UE 010

## Keeprite (cont. next page)

Part #	HP	Volts	Amps	Type	RPM	Rot.	Body Dia	Bearing Dia	Bearing Cap	Shaft	Comments	
<b>R3-R360</b>	<b>1/35</b>	115	1.0	SP	1/1550	CW	2.60"	3.3"	Sleeve	-	1.6"×1/4"	Keeprite 504249
<b>R3-R370</b>	<b>1/20</b>	115	0.75	Inc.	1/1550	CW	3.98"	3.3"	Ball	Inc.	2.7"×5/16"	Keeprite 505124, Fasco 7190-2366
<b>R3-R371</b>	<b>1/20</b>	208/230	0.38	Inc.	1/1550	CW	3.98"	3.3"	Ball	Inc.	2.7"×5/16"	Keeprite 505125, Fasco 7190-2367, A.O. Smith JE2G052
<b>R3-R1052</b>	<b>1/20</b>	115	2.0	SP	1/1550	CCW	3.10"	3.3"	Ball	-	3.20"×5/16"	Keeprite 1043336, Fasco 7163-8722N, A.O. Smith JA2Y016-M, Rotom R358
<b>R3-R1053</b>	<b>1/20</b>	230	1.0	SP	1/1550	CCW	3.10"	3.3"	Ball	-	3.20"×5/16"	Keeprite 1043766, Fasco 7163-8861M, A.O. Smith JA2Y017-N
<b>M4-R2269</b>	<b>1/15</b>	115	2.40	SP	1/1050	CCW	3.00"	5.0"	Sleeve	-	3.0"×1/2"	160269
<b>M3-R2657</b>	<b>1/15</b>	230	1.20	SP	1/1550	CW	3.40"	4.3"	Sleeve	-	1.8"×3/8"	Keeprite 81335 Fasco 7108-2230C



M3-R2658



M4-R2423



M2-R30409



M2-R31065



M2-R30900



M5-T2538



M5-T2540



R6-R42464



M5-S1454

**Keeprite (cont. from previous)**

Part #	HP	Volts	Amps	Type	RPM	Rot.	Body	Dia	Bearing	Cap	Shaft	Comments
<b>M3-R2658</b>	<b>1/15</b>	115	2.30	SP	1/1550	CW	3.40"	4.3"	Sleeve	-	1.8"×3/8"	Keeprite 81356 Fasco 7108-2206C
<b>M4-R2423</b>	<b>1/8</b>	115	1.8	PSC	3/1330	CW	3.4"	5.0"	Sleeve	10/370	5.0"×1/2"×2.0"	Keeprite 200423, Rotom R780
<b>M2-R30409</b>	<b>1/5</b>	208/230	1.80	PSC	1/1550	CCW	4.60"	5.5"	Sleeve	4/370	3.0"×1/2"	Keeprite 120409, 1041300, A.O. Smith HF2J040-N, Fasco 7124-0021
<b>M2-R31065</b>	<b>1/4</b>	575	0.50	3 Ph	1/1140	Rev	6.30"	5.5"	Ball	-	2.9"×5/8"	171065, HM3G004
<b>M2-R30900</b>	<b>1/2</b>	208/230	2.3	PSC	1/1075	CW	5.25"	5.5"	Ball	7.5/370	4.0"×5/8"	510900
<b>M5-T2538</b>	<b>1</b>	208/230 460	5.30	3 Ph	1/1140	Rev	10.81"	6.5"	Ball	-	6.0"×5/8"	170518
<b>M5-T2540</b>	<b>1</b>	575	2.0	3 Ph	1/1140	Rev	10.81"	6.5"	Ball	-	6"×5/8"	170517
<b>R6-R42464</b>	<b>1</b>	208/230	5.4	PSC	3/1075	Rev	6.5"	5.5"	Ball	12.5/370	3.5"×5/8"	504464
<b>M5-S1454</b>	<b>1</b>	208/230 460	4.80	PSC	1/1075	Rev	10.70"	6.5"	Ball	25/370	6"×5/8"	170619



## Krack

Part #	HP	Volts	Amps	Type	RPM	Rot.	Body Dia	Bearing Dia	Bearing Cap	Shaft	Comments	
<b>US-R91189</b>	<b>1/20</b>	115/208/230	1.6/0.8	SP	1/1550	CCW	3.15"	3.3"	Sleeve	-	1.65"x5/16"	11528, 11529, JB2P046N, JA2P216N, JA2P217N, JB2P047N, 8354110940, 8254111030
<b>R3-R313</b>	<b>1/15</b>	120	2.2	SP	1/1550	CCW	3.60"	3.3"	Ball	-	3" x 5/16"	5034LS, 5008SS, U-572
<b>R3-R314</b>	<b>1/15</b>	208/230	1.3	SP	1/1550	CCW	3.50"	3.3"	Sleeve	-	3" x 5/16"	5044MS, 5008TS, U-573
<b>UE-9634</b>	<b>1/15</b>	208/230	0.30	PSC	1/1550	CCW	3.62"	3.3"	Sleeve	4/370	1.5"x5/16"	JE2F030, E206448
<b>M5-T3572</b>	<b>1/2</b>	208/230/460	2.0	3 Ph	1/1140	Rev	9.25"	6.5"	Ball	-	2.0"x5/8"	150372, 11096
<b>M5-T3537</b>	<b>1</b>	208/230/460	4.4	3 Ph	1/850	Rev	10.25"	6.5"	Ball	-	3.25"x5/8"	151437, 11503

## Kysor

Part #	Watts	Volts	Amps	Type	RPM	Rot.	Body Dia	Bearing Dia	Bearing Cap	Shaft	Comments	
<b>O4-R5711</b>	<b>15</b>	115	0.37	PSC	1/1550	CW	3.50"	3.87"	Unit	-	Threaded	09A10-054, 09A10-055
<b>O4-R5715</b>	<b>15</b>	115	0.37	PSC	1/1550	CW	3.50"	3.87"	Unit	-	Threaded	73049
<b>O4-R5720</b>	<b>15</b>	115	0.37	PSC	1/1550	Rev	3.50"	3.87"	Unit	-	Threaded	09A10-056

## Larkin

Part #	HP	Volts	Amps	Type	RPM	Rot.	Body Dia	Bearing Dia	Bearing Cap	Shaft	Comments	
<b>US-R90574</b>	<b>1/20</b>	115	1.90	SP	1/1550	CW	2.75"	3.3"	Sleeve	-	2.48"x5/16"	7136-2113, 253-1194
<b>US-R90575</b>	<b>1/20</b>	230	0.89	SP	1/1550	CW	2.75"	3.3"	Sleeve	-	2.48"x5/16"	7136-3371, 253-1195
<b>US-R90721</b>	<b>1/12</b>	115/208/230	1.1/06	PSC	1/1550	Rev	3.59"	3.3"	Ball	4/370	3.15"x5/16"	25308601, 25309101, 2531194, 2531195

## Liebert

Part #	HP	Volts	Amps	Type	RPM	Rot.	Body Dia	Bearing Dia	Bearing Cap	Shaft	Comments
<b>M5-T2535</b>	<b>3/4</b>	575	1.25	3 Ph	1/1140	Rev	10.31"	6.5"	Ball	6.0" x 5/8"	Liebert 1C16992P1 Computer Rooms



## Lennox (cont. next page)

Part #	HP	Volts	Amps	Type	RPM	Rot.	Body Dia	Bearing	Cap	Shaft	Comments	
<b>UE-9484</b>	<b>1/15</b>	208/230	0.60	PSC	1/1050	CW	3.75"	4 5/16"	Sleeve	4/370	2.5"x3/8"x1.3"	P-8-9584
<b>UE-9485</b>	<b>1/12</b>	208/230	0.80	PSC	2/1050	CCW	3.75"	4 5/16"	Sleeve	4/370	2.5"x3/8"	P-8-9485
<b>UE-9403</b>	<b>1/8, 1/6, 1/5</b>	115	6.40	SP	3/1075	CCW	4.0"	5.0"	Sleeve	-	3.0"x1/2"	GE5KSP29KK1542S, FASCO D1030, P-8-3789, P-8-3790, P-8-3529, P-8-3527, P-8-9662
<b>UE-442C</b>	<b>1/6</b>	208/230	0.95	PSC	1/1075	Rev	3.74"	5.5"	Sleeve	5/370	5.5"x1/2"	P-8-3132, K55HXB MJ1121, 8053
<b>R6-R42702</b>	<b>1/4</b>	230	2.1	PSC	1/1075	CCW	4.0"	5.5"	Sleeve	4/370	3.5"x1/2"	P-8-3132, K55HXB MJ1121, 8053
<b>DD-035</b>	<b>1/3</b>	115	5.0	PSC	4/1075	Rev	4.30"	5.5"	Sleeve	10/370	6"x1/2"	P-8-7505
<b>M2-R32217</b>	<b>1/3</b>	230	2.1	PSC	1/825	CCW	5.75"	5.5"	Ball	4/370	3.5"x1/2"	5KCP39NGC119S, KCP39NGL5715, 3501, 3591
<b>R6-R42310</b>	<b>1/3</b>	115	6.0	PSC	4/1075	CCW	4.18"	5.5"	Sleeve	5/370	5.18"x1/2"	P-8-7505, P-8-9450, 41A4201, 3082, F48SJ6MA21, F48SL6M7, 5KCP39HG9174AS, 321P267
<b>M2-R38041</b>	<b>1/3</b>	208/230	2.0	PSC	1/1075	CCW	4.37"	5.5"	Sleeve	5/370	3.5"x1/2"	K55HXENB-2994
<b>R6-R48609</b>	<b>1/3</b>	208/230	2.6	PSC	4/1075	CCW	4.67"	5.5"	Sleeve	7.5/370	3.0"x1/2"	3044, 5KCP39HGD766T, 5KCP39HD9530S, K7994, 3592, K55FCM3264, P-8-8041
<b>UE-9405</b>	<b>3/4</b>	115	9.7	PSC	5/1075	CCW	5.37"	5.5"	Ball	40/370	3.18"x1/2"	5KCP39HG9546S, 5KCP39HGK020T, 3087, P-8-8609
<b>UE-9406A</b>	<b>3/4</b>	208/230	6.6	PSC	3/1075	CCW	6.25"	5.5"	Ball	10/370	6.5"x5/8"x5.2"	28F0101, 58H2201, EMK55HXWNZ7057
<b>R6-R43520</b>	<b>3/4</b>	460	2.0	PSC	3/1075	CCW	5.53"	5.5"	Ball	20/370	2.5"x1/2"	31C8201, EM K55HXRYT-8180
												43G5201





## Lennox (cont. from previous)

Part #	HP	Volts	Amps	Type	RPM	Rot.	Body Dia	Bearing	Cap	Shaft	Comments	
<b>M2-R32117</b>	<b>1/3</b>	208/230	2.00	PSC	1/1075	Rev	6.00"	5.5"	Ball	10/370	6.0"×1/2"	S3050, P-8-9662
<b>M1-R52820</b>	<b>3/4</b>	208/230	4.20	PSC	3/1075	CW	7.80"	5.5"	Ball	10/370	5.3"×5/8"×4.8"	31C8102 - Includes Base
<b>M2-R32050</b>	<b>3/4</b>	575	1.65	PSC	3/1025	Rev	6.50"	5.5"	Ball	15/370	4.0" × 1/2"	Rooftop Direct Drive Motor
<b>M2-R32051</b>	<b>3/4</b>	460	2.15	PSC	3/1075	Rev	6.63"	5.5"	Ball	15/370	4.0" × 1/2"	43G52
<b>M5-S7401</b>	<b>1</b>	230	5.0	PSC	1/1075	CCW	5.87"	5.5"	Ball	20/370	4.0" × 5/8"	88C7401
<b>M5-S7301</b>	<b>1</b>	460	2.9	PSC	1/1075	CCW	6.5"	5.5"	Ball	15/370	4.0" × 5/8"	88C7301

## Nutech

Part #	HP	Volts	Amps	Type	RPM	Rot.	Body Dia	Frame	Bearing	Cap	Shaft	Comments
<b>O1-R465</b>	<b>1/15</b>	115	2.3	SP	3/1550	CCW	4.0"	3.3"	Sleeve	-	2.3"×5/16"×2.1"	Electrohome 2868-513-133, 152, Nutech Lifebreath 23202
<b>M4-R2655</b>	<b>1/12</b>	115	2.3	PSC	1/1550	CCW	3.0"	5.0"	Sleeve	5/370	2.5"×3/8"×2.4"	AO812B2355
<b>M4-R2324</b>	<b>1/12</b>	115	1.1	PSC	1/1550	CCW	3.0"	5.0"	Ball	Inc	2.5"×3/8"×2.4"	Nubreath 23-204, GE5KCP298G8560BS

## Nordyne

Part #	HP	Volts	Amps	Type	RPM	Rot.	Body Frame	Bearing	Cap	Shaft	Comments	
<b>FB-RFB902</b>	<b>1/19</b>	115	0.70	PSC	3450	CCW	5.50	3.3	Ball	4/370	Blower	903962, G5RC, G6RC, G1, G4

## Nutone / Broan

Part #	HP	Volts	Amps	Type	RPM	Rot.	Body Frame	Bearing	Cap	Shaft	Comments	
<b>R7-RB11</b>	<b>1/130</b>	115	0.65	SP	1/3000	CW	0.60"	Skel	Sleeve	-	1.7"×7/32"	BF3C-MBB, 118445, 208370856, 67PCF
<b>R7-RB109</b>	<b>1/60</b>	115	1.00	SP	1/2400	CW	0.90"	Skel	Sleeve	-	1.2"×7/32"	10941067, Broan "BP" Series, Nutone "RL" Series



R6-R44587



M2-R21853



M2-R22719



UE-795A



M2-R22170



M2-R22437



M2-R23103



M2-R22444



M2-R21189



M2-R22307

## Olsen

Part #	HP	Volts	Amps	Type	RPM	Rot.	Body	Frame	Bearing	Cap	Shaft	Comments
<b>R6-R44587</b>	<b>1/2</b>	115	5.7	PSC	4/1075	CCW	5.25"	5.5"	Sleeve	10/370	3/4" x 1/2"	27836, 26088

## Rheem-Ruud

Part #	HP	Volts	Amps	Type	RPM	Rot.	Body	Dia	Bearing	Cap	Shaft	Comments
<b>M2-R21853</b>	<b>1/6</b>	208/230	0.90	PSC	1/1075	CCW	3.67"	5.5"	Sleeve	3/370	3.75" x 1/2"	3222, 5KCP39BGN253S 5KCP39BGP085S, 51-21853-01
<b>M2-R22719</b>	<b>1/5</b>	208/230	1.10	PSC	2/1075	Rev	3.75"	5.5"	Sleeve	5/370	5.5" x 1/2"	20682-01, 20673-01, 20675-01, K55HXMBZ06560 K136, 8735660130, 442, 82673
<b>UE-795A</b>	<b>1/5</b>	208/230	1.60	PSC	1/825	Rev	4.25"	5.5"	Sleeve	5/370@230 7.5/370@208	3.6" x 1/2"	51-23055-12, 3153
<b>M2-R22170</b>	<b>1/5</b>	208/230	1.40	PSC	1/1075	Rev	3.87"	5.5"	Sleeve	3/370	4.25" x 1/2"	5484, KA55HXMPT-6557, 51-20672-01, 51-20673-01 51-20674-01, 51-20675-01 51-20679-01, 51-20680-01 51-20681-01, 51-20682-01 51-21826-01, 51-21827-01 51-21828-01, 51-21829-01 51-21830-01, 51-21831-01 51-21185-01, 51-20761-01
<b>M2-R22437</b>	<b>1/4</b>	208/230	1.60	PSC	1/1075	Rev	4.0"	5.5"	Sleeve	5/370	5.5" x 1/2"	5KCP39FGD117BS 5KCP39GGE879AS, 437
<b>M2-R23103</b>	<b>1/4</b>	208/230	2.00	PSC	2/825	Rev	4.37"	5.5"	Sleeve	7.5/370	3.37" x 1/2"	51-23103-06, 51-21543-01
<b>M2-R22444</b>	<b>1/3</b>	208/230	2.20	PSC	1/1075	Rev	4.37"	5.5"	Sleeve	7.5/370	5.5" x 1/2"	51-20688-01, 87360, 60130
<b>M2-R21189</b>	<b>1/3</b>	208/230	1.80	PSC	1/1075	Rev	4.37"	5.5"	Sleeve	5/370	3.25" x 1/2"	51-21189-01, KA55HZRGR-7898
<b>M2-R22307</b>	<b>1/3</b>	208/230	2.80	PSC	2/825	CCW	4.67"	5.5"	Sleeve	10/370	2.18" x 1/2"	51-23103-07



## Rheem-Ruud

Part #	HP	Volts	Amps	Type	RPM	Rot.	Body	Dia	Bearing	Cap	Shaft	Comments
<b>M2-R22401</b>	<b>1/3</b>	208/230	2.00	PSC	1/1075	Rev	4.12"	5.5"	Sleeve	7.5/370	6.7"×1/2"	K55HXTDD-8385, 5458 51-20668-11, 51-23055-11 51-20354-11, 51-23053-11
<b>M2-R22402</b>	<b>1/3</b>	208/230	2.00	PSC	1/1075	Rev	4.12"	5.5"	Ball	7.5/370	6.7"×1/2"	K55HXTDD-8385, 5458 51-20668-11, 51-23055-11 51-20354-11, 51-23053-11
<b>R6-R42873</b>	<b>1/2</b>	115	5.70	PSC	4/1050	CCW	4.67"	5.5"	Sleeve	7.5/370	3.5" × 1/2"	F48C45A94, 51-22873-01
<b>R6-R43103</b>	<b>1/2</b>	208/230	3.40	PSC	1/825	CCW	4.87"	5.5"	Sleeve	15/370	3.25"×1/2"	51-23103-08, 51-23101-08
<b>UE-435A</b>	<b>1/2</b>	460	1.70	PSC	1/1075	Rev	5.12"	5.5"	Ball	7.5/370	6.0"×1/2"	51-20470-01
<b>R6-R42686</b>	<b>1/2</b>	115	5.90	PSC	3/1075	CCW	4.50"	5.5"	Sleeve	7.5/370	3.75"×1/2"	51-22686-01
<b>R6-R42859</b>	<b>3/4</b>	115	10.5	PSC	4/1075	Rev	5.65"	5.5"	Ball	15/370	5.0"×1/2"	F48C47A94, 51-22859-01
<b>UE-794A</b>	<b>3/4</b>	115	11.5	PSC	4/1075	Rev	6.00"	5.5"	Sleeve	15/370	5.0"×1/2"	51-23017-41

## Ref Plus

Part #	HP	Volts	Amps	Type	RPM	Rot.	Body	Dia	Bearing	Cap	Shaft	Comments
<b>EC-34W115-V1543</b>	<b>34W</b>	115	1.60	SP	1/1550	CW	3.55"	-	Sleeve	-	Hubless	RMT0004
<b>EC-34W230-V1542</b>	<b>34W</b>	230	0.80	SP	1/1550	CW	3.55"	-	Sleeve	-	Hubless	RMT0005
<b>R3-R368</b>	<b>1/20</b>	115	1.7	SP	1/1550	CW	2.7"	3.3"	Sleeve	-	2.7"× 5/16"	RMT0011, JA2N267N, 7173-1539
<b>R3-R369</b>	<b>1/20</b>	208/230	0.9	SP	1/1550	CW	2.7"	3.3"	Sleeve	-	2.7"× 5/16"	RMT0012, JA2N268N, 7173-1538



## Tecumseh

Part #	Watts	Volts	Amps	Type	RPM	Rot.	Body	Frame	Bearing	Cap	Shaft	Comments
<b>O4-R5211</b>	<b>4</b>	120	0.29	SP	1/1550	CW	4.50"	3.8"	Unit	-	Hubless	TFM41
<b>O4-R5311</b>	<b>6</b>	120	0.36	SP	1/1550	CW	2.80"	3.5"	Unit	-	Hubless	TFM61
<b>O4-R5421</b>	<b>9</b>	208/230	0.29	SP	1/1550	CW	2.80"	3.5"	Unit	-	Hubless	TFM91
<b>O4-R5411</b>	<b>9</b>	120	0.58	SP	1/1550	CW	2.80"	3.5"	Unit	-	Hubless	TFM62, 92
<b>O4-R3512</b>	<b>35</b>	208/230	0.70	SP	1/1550	CW	3.50"	3.8"	Unit	-	Hubless	TFM352
<b>O4-R3511</b>	<b>35</b>	120	1.40	SP	1/1550	CW	3.50"	3.8"	Unit	-	Hubless	TFM351
<b>O4-R3612</b>	<b>35</b>	230	0.70	SP	1/1550	CW	3.50"	3.8"	Unit	-	1.4"x5/16"	TFM262, TFM362
<b>O4-R5022</b>	<b>50</b>	230	0.85	SP	1/1500	CCW	4.50"	3.8"	Unit	-	1.5"x3/8"	810A31B, 810G037A20
<b>O4-R5112</b>	<b>50</b>	230	0.85	SP	1/1500	CW	4.50"	3.8"	Unit	-	1.4"x5/16"	810M50A62
<b>O4-R5122</b>	<b>50</b>	230	0.85	SP	1/1550	CCW	4.00"	3.8"	Unit	-	2.0"x5/16"	TFM502

Part #	HP	Volts	Amps	Type	RPM	Rot.	Body	Dia	Bearing	Cap	Shaft	Comments
<b>UE-9488</b>	<b>1/20</b>	115	1.70	SP	1/1500	CW	4.875"	3.3"	Sleeve	-	2 1/8" x 5/16"	TMF191, TFM265, 810E019A080, EM F33HXGFG-2876
<b>M4-R2372</b>	<b>1/20</b>	230	1.10	SP	1/1550	CW	3.0"	5.0"	Sleeve	-	2.8" x 3/8"	Tecumseh TFM372, 8105037B01, 326P137, Copeland
<b>M4-R2601</b>	<b>1/15</b>	230	1.30	SP	1/1500	CW	3.0"	5.0"	Sleeve	-	2.75" x 5/16"	810S050A99, 326P136
<b>UE-981</b>	<b>1/15</b>	460	0.60	SP	1/1550	CW	4.25"	3.3"	Sleeve	-	2.5" x 5/16"	810G037A47, Fasco D475 GE 5KSP11FG1197CS
<b>UE-9487</b>	<b>1/12</b>	230	1.30	sp	1/1500	cw	4.875"	3.3"	Sleeve	-	2 1/8" x 5/16"	TFM262, 810E026A81, EM F33HXDJ-3668
<b>M2-R31862</b>	<b>1/4</b>	230	1.90	PSC	1/1625	CW	4.375"	5.5"	Ball	4/370	2.5" x 1/2"	TFM1862, 8330, KA55HXKGD8330
<b>M2-R31864</b>	<b>1/4</b>	460	0.80	PSC	1/1625	CW	4.375"	5.5"	Ball	4/370	2.5" x 1/2"	TFM1864, 8331 KA55HGE8331



## Temspec

Part #	HP	Volts	Amps	Type	RPM	Rot.	Body	Frame	Bearing	Cap	Shaft	Comments
<b>M4-R2195</b>	<b>1/12</b>	115	2.10	PSC	3/740	CCW	4.6"	5.0"	Sleeve	7.5/370	3.4"x1/2"	DE3F056N
<b>M4-R799</b>	<b>1/8</b>	115	3.00	PSC	5/1075	CCW	3.87"	5.0"	Ball	5/370	5.0"x1/2"	L350,L450,L600, UE DA3E200, DA3F100, DA3G142

## Trane (cont. next page)

Part #	HP	Volts	Amps	Type	RPM	Rot.	Body	Dia	Bearing	Cap	Shaft	Comments
<b>UE-641</b>	<b>1/30</b>	115	0.5	PSC	3/1075	CW	3.5"	5.0"	Sleeve	Inc.	8.5"x1/2"x9"	MOT 1876, CX70500133-01, UE DE3E152
<b>UE-954</b>	<b>1/30</b>	115	0.6	PSC	3/1100	CW	4.0"	5.0"	Sleeve	Inc.	8.5"x1/2"	MOT 1878, MOT 1875, X70500149-01-7, EM K48HXBYP-954
<b>UE-952</b>	<b>1/30</b>	115	0.74	PSC	3/1100	CW	3.75"	5.0"	Sleeve	Inc.	8.5"x1/2"x9"	EM K48XBJP-969, X70500149-03-7, MOT-1876
<b>UE-373</b>	<b>1/30</b>	115	0.64	PSC	2/1100	CW	4.25"	5.0"	Sleeve	Inc.	10.5"x1/2"x10.5	Fan Coil
<b>UE-372</b>	<b>1/25</b>	115	0.64	PSC	2/1060	CW	3.5"	5.0"	Sleeve	Inc.	11"x1/2"x11"	Fan Coil
<b>UE-9608</b>	<b>1/20</b>	115	0.6	PSC	3/1100	Rev	3.25"	5.0"	Sleeve	Inc.	9.5"x1/2"	MOT 1875, X70500149-02, EM K48HXBHZ955
<b>UE-953</b>	<b>1/15</b>	115	0.8	PSC	3/1100	CW	3.25"	5.0"	Sleeve	Inc.	10.5"x1/2"x10.5"	MOT 1877, X70 500149-04-7, EM K48HXBPA-956

Motors Are Sleeve Bearing Unless Indicated - Rotation Determined Opposite Shaft End (Double Shaft Determined By Lead End)



## Trane (cont. from previous page)

Part #	HP	Volts	Amps	Type	RPM	Rot.	Body Dia	Bearing	Cap	Shaft	Comments	
<b>UE-680A</b>	<b>1/8</b>	115	1.50	PSC	3/775	CCW	5.0"	5.5"	Sleeve	Inc.	11.5"x1/2"x11.5"	MOT-711
<b>UE-598</b>	<b>1/8</b>	230	1.90	SP	1/1550	CCW	4.25"	5.0"	Sleeve	-	3.0"x1/2"	5KSP29DK1728S
<b>UE-945</b>	<b>1/8</b>	115	1.2	PSC	3/1500	CW	4.0"	5.0"	Sleeve	Inc.	9"x1/2"x7.5"	MOT 1978, MOT 481, X70 500149-11-7, EM K48HXCKT-1419
<b>UE-492</b>	<b>1/8</b>	230	1.10	PSC	1/1550	CCW	3.5"	5.0"	Sleeve	Inc.	3.0"x1/2"	5KSP29DK1728S
<b>M2-R31673</b>	<b>1/8</b>	200/230	0.90	PSC	1/1650	CCW	3.62"	5.5"	Sleeve	4/370	1.5"x1/2"	3D149098P01, 1673 K55DJK-6905
<b>M4-R1050</b>	<b>1/4</b>	208/240	0.90	PSC	1/1550	CCW	3.37"	5.0"	Sleeve	Inc.	3.18"x1/2"	D1050, 3438, 5KSP29DK1728S, 322P815
<b>UE-955</b>	<b>1/6</b>	115	2.00	PSC	3/1500	CW	4.0"	5.0"	Sleeve	Inc.	10.5"x1/2"x10.5"	X70 500149-12-7, MOT-1979, MOT-482, EM, K48HXCKS-1418
<b>R6-R46086</b>	<b>1/5</b>	115	2.30	PSC	4/1075	CCW	4.18"	5.5"	Sleeve	10/370	3.5"x1/2"	D340086P02
<b>UE-642</b>	<b>1/4</b>	277	1.10	PSC	3/1475	CW	4.0"	5.0"	Sleeve	Inc.	8"x1/2"x8"	MOT 689, X70500354, UE DE2G101
<b>M2-R22983</b>	<b>1/4</b>	200/230	1.50	PSC	1/825	CCW	4.62"	5.5"	Ball	12.5/370	2.5"x1/2"	3D146983P01, 1674, K55DJL-6906
<b>R6-R42604</b>	<b>1/3</b>	575	0.80	PSC	1/1100	Rev	5.80"	5.5"	Ball	7.5/440	6" x 1/2"	MOT2604, 25G20
<b>R6-R46126</b>	<b>1/3</b>	115	6.80	PSC	4/1075	CCW	4.87"	5.5"	Sleeve	10/370	3.0"x1/2"	D340126P02
<b>R6-R42605</b>	<b>1/2</b>	575	1.00	PSC	1/1625	Rev	5.60"	5.5"	Ball	7.5/440	6" x 1/2"	M02605, 173329, HF2J043
<b>R6-R42606</b>	<b>1/2</b>	575	1.10	PSC	1/1100	Rev	5.50"	5.5"	Ball	7.5/370	6" x 1/2"	TRANE, COMFORTAIRE
<b>R6-R42607</b>	<b>3/4</b>	575	1.60	PSC	1/1075	Rev	6.00"	5.5"	Ball	15/370	6" x 1/2"	HM3T071, MOT2607, 48A11T566



## Trane (cont. from previous page)

Part #	HP	Volts	Amps	Type	RPM	Rot.	Body	Dia	Bearing	Cap	Shaft	Comments
<b>M5-S1454</b>	<b>1</b>	208/230/460	4.8	PSC	1/1075	CW	10.75"	5.5"	Ball	25/370	6.0"×5/8"	MOT2461
<b>M5-T2538</b>	<b>1</b>	208/230/460	5.30	3 Ph	1/1140	Rev	10.81"	6.5"	Ball	-	6.0"×5/8"	MOT2463
<b>M5-T2540</b>	<b>1</b>	575	2.0	3 Ph	1/1140	Rev	10.81"	6.5"	Ball	-	6.0"×5/8"	MOT2914
<b>M5-S1456</b>	<b>1½</b>	208/230/460	3.3/6.6	PSC	1/1075	Rev	12.06"	5.5"	Sleeve	25/370	6.0"×5/8"	MOT2462
<b>M5-T2542</b>	<b>1½</b>	208/230/460	5.80	3 Ph	1/1140	Rev	10.81"	6.5"	Ball	-	6.0"×5/8"	MOT2464
<b>M5-T2543</b>	<b>1½</b>	575	2.30	3 Ph	1/1140	Rev	10.81"	6.5"	Ball	-	6.0"×5/8"	MOT1590

## True

Part #	Watts	Volts	Amps	Type	RPM	Rot.	Body	Dia	Bearing	Cap	Shaft	Comments
<b>O4-R5411</b>	<b>9</b>	115	0.58	SP	1/1550	CW	2.80"	3.5"	Unit	-	Threaded	936833, 800402
<b>O4-R5401</b>	<b>9</b>	115	0.60	SP	1/1550	CW	2.80"	3.5"	Unit	-	Threaded	800401, All-angle evaporator motor
<b>O4-R5730</b>	<b>9</b>	115	0.26	PSC	1/1600	Rev	3.13"	3.5"	Unit	-	Threaded	Reversible PSC condenser fan motor c/w wiring harness for Pepsi
<b>O4-R5811</b>	<b>16</b>	115	1.00	SP	1/1550	CW	3.03"	3.5"	Unit	-	Threaded	800469

## Tyler

Part #	HP/ W	Volts	Amps	Type	RPM	Rot.	Body	Dia	Bearing	Cap	Shaft	Comments
<b>O4-R5715</b>	<b>15 W</b>	115	0.37	PSC	1/1550	CW	3.50"	3.87"	Unit	-	Threaded	5215879, 5237801
<b>O4-R5720</b>	<b>15 W</b>	115	0.37	PSC	1/1550	Rev	3.50"	3.87"	Unit	-	Threaded	5212930
<b>T1-R605</b>	<b>1/55</b>	115	1.00	SP	1/2800	CW	0.90"	Skel	Sleeve	-	1.7" × 0.1811"	SM605, 79103, 79104, E310131, P211116966A
<b>R4-R3042</b>	<b>1/4</b>	230	1.90	PSC	1/1625	CCW	4.61"	5.5"	Sleeve	Inc.	2.5" × 1/2"	S3042, FASCO D870



## Vanee

Part #	HP	Volts	Amps	Type	RPM	Rot.	Body Dia	Bearing	Cap	Shaft	Comments	
<b>R3-R348</b>	<b>1/15</b>	110/115	1.12	PSC	1550	CW	4.0"	3.3"	Sleeve	4/370	3.25 x 5/16	HRV - M1703, 71900369

## Venmar

Part #	HP	Volts	Amps	Type	RPM	Rot.	Body Dia	Bearing	Cap	Shaft	Comments	
<b>R2-R462</b>	<b>1/8</b>	115	0.90	PSC	3/1660	CW	4.13"	3.3"	Sleeve	7.5/370	3.5"x3/8"x3.5"	02101, Fasco 7190-2271, Kit 12027, 12029, 12109
<b>R2-R422</b>	<b>1/3</b>	115	2.89	PSC	3/1690	CW	4.93"	3.3"	Sleeve	7.5/370	3/8"x2.06"	02209, Fasco 7190-1522
<b>R3-R366</b>	<b>1/4</b>	115	1.68	PSC	3/1630	CW	4.78"	3.3"	Sleeve	7.5/370	2.97"x3/8"x3.00"	02100, Fasco 7190-1523, Kit 1206, 12151

## W.W. Grainger - Dayton

Part #	HP	Volts	Amps	Type	RPM	Rot.	Body Dia	Bearing	Cap	Shaft	Comments	
<b>R3-R373</b>	<b>1/15</b>	115	0.90	PSC	1/1400	CCW	4.50"	3.3"	Sleeve	4/250	3.0"x3/8"	Dayton Greenhouse Fan Motor, Fasco 7190-1004

## York

Part #	HP	Volts	Amps	Type	RPM	Rot.	Body Dia	Bearing	Cap	Shaft	Comments	
<b>M2-R25100</b>	<b>1/8</b>	208/230	0.80	PSC	1/1075	CW	3.75"	5.5"	Sleeve	4/370	1.8"x1/2"	F48A85A50, 3217, 024-25100-000, 024-2500-700
<b>M4-R741</b>	<b>1/5</b>	208/230	1.40	PSC	1/1075	CW	3.87"	5.0"	Sleeve	5/370	6.3"x1/2"x6.3"	024-17774, 2091, 024-20795-700
<b>M2-R23294</b>	<b>1/4</b>	208/230	1.30	PSC	1/1075	CW	4.0"	5.5"	Sleeve	5/370	3.0"x1/2"	F48A45A50, 3223, 024-23294-000
<b>M2-R25119</b>	<b>1/4</b>	208/230	1.40	PSC	1/850	CW	4.43"	5.5"	Sleeve	5/370	3.18"x1/2"	F48B46A50, 024-25119-000
<b>M4-R2679</b>	<b>1/4</b>	115	10.00	SP	3/1075	CCW	4.0"	5.0"	Sleeve	-	2.2"x1/2"	024-17903-703
<b>M2-R22275</b>	<b>1/4</b>	460	0.70	PSC	1/850	CW	5.0"	5.5"	Sleeve	5/350	3.0"x1/2"	York 024-27501-000, A.O. Smith F4832A50
<b>M2-R23238</b>	<b>1/2</b>	208/230	2.50	PSC	1/1090	CW	4.87"	5.5"	Sleeve	7.5/370	4.0"x1/2"	5KCP39LGN418S, 024-24110-001, W48A11T388





## York

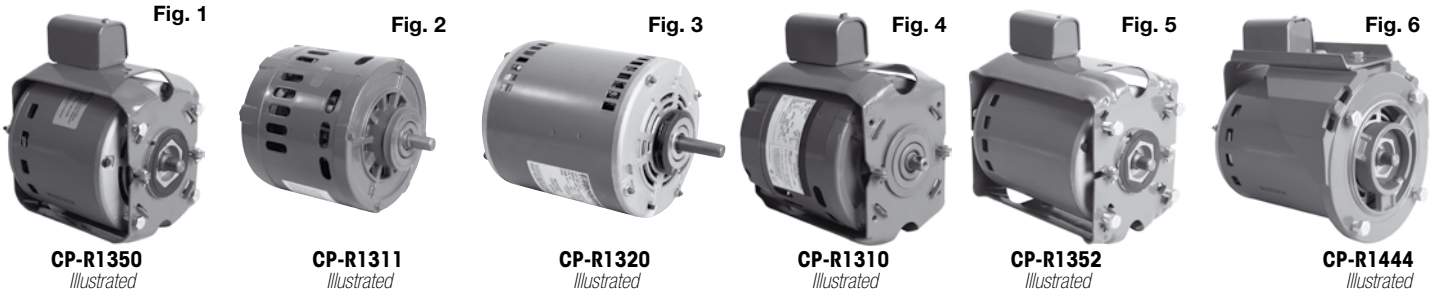
Part #	HP	Volts	Amps	Type	RPM	Rot.	Body	Dia	Bearing	Cap	Shaft	Comments
<b>R6-R45113</b>	<b>1/2</b>	115	9.80	PSC	3/1110	CCW	5.37"	5.5"	Sleeve	10/370	4.5" x 1/2"	5KCP39NGP941S, 024-25113-001
<b>M1-R52775</b>	<b>1/2</b>	230	4.30	PSC	1/1050	CW	5.25"	5.5"	Sleeve	5/370	9.3" x 1/2" x 9.3"	024-17775, 024-20797-700
<b>M2-R32716</b>	<b>1/2</b>	460	2.00	PSC	2/1075	Rev	5.50"	5.5"	Ball	10/370	6.4" x 1/2"	024-18412-006
<b>M2-R32957</b>	<b>1/2</b>	460	2.00	PSC	1/1075	CCW	7.50"	5.5"	Ball	5/370	4.25" x 1/2"	024-183957-00
<b>M2-R32511</b>	<b>1/2</b>	208/230	3.50	PSC	1/1100	CCW	8.10"	5.5"	Ball	3/370	3.7" x 1/2"	Rooftop motor, 024-17420, 024-19511-000, YCFM12
<b>M2-R22140</b>	<b>1/2</b>	208/230	2.70	PSC	1/1090	CW	4.80"	5.5"	Sleeve	7.5/370	3.4" x 1/2"	024-24110-001, 701, 713
<b>R6-R43241</b>	<b>1/2</b>	208/230	4.40	PSC	3/1000	CCW	5.125"	5.5"	Sleeve	7.5/370	4" x 1/2"	York 024-241106-000, A.O. Smith F48L49A50
<b>M2-R32184</b>	<b>1/2</b>	208/230	5.10	PSC	3/1075	CW	5.25"	5.5"	Sleeve	5/370	1/2" x 3"	York 024-18403-011, GE 5KCP39PGE61OS
<b>M2-R32671</b>	<b>3/4</b>	208/230	2.20	PSC	3/1059	CCW	5.625"	5.5"	Ball	12.5/370	1/2" x 3 3/4"	York 024-21671-000, A.O. Smith F48L33A50
<b>M2-R32050</b>	<b>3/4</b>	575	1.65	PSC	3/1025	Rev.	6.50"	5.5"	Ball	15/370	4.0" x 1/2"	Direct Drive Evaporator Motors
<b>M2-R32051</b>	<b>3/4</b>	460	2.15	PSC	3/1075	Rev.	6.63"	5.5"	Ball	15/370	4.0" x 1/2"	Direct Drive Evaporator Motors
<b>R6-R43238</b>	<b>1</b>	115	12.9	PSC	3/1075	CCW	5.87"	5.5"	Ball	15/440	3.5" x 1/2"	5KCP39PGN812S
<b>M2-R32058</b>	<b>1</b>	208/230	7.00	PSC	3/1100	CCW	6.10"	5.5"	Ball	15/370	4.0" x 1/2"	024-23238-000, F48SU6V15 024-21672C, 024-21673

## Armstrong / B&G Direct Replacement

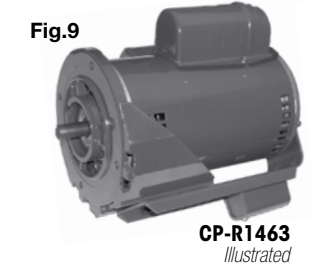
Single Shaft • Single Speed • 1725 RPM

115/230/460/575 Volts • Resilient Rings for Base Mount Models • Open Construction • Reversible

Typical Applications : Hot Water Boiler & Booster Pumps



Part #	HP	Volts	Fig.	Bearing	Cross Reference
CP-R1350	1/12	115	1	Ball	805316-010, 831000-61, 111034
CP-R1311	1/12	115	2	Sleeve	Taco Replacement
CP-R1320	1/8	115	3	Sleeve	CCW, 5KH32EG129GA, 48S17D1084
CP-R1310	1/8	115	4	Sleeve	OBG2004
CP-R1351	1/6	115	1	Ball	817025-005, 111061
CP-R1352	1/6	115	5	Ball	817025-001, 831001-061, 111031
CP-R1354	1/4	115	5	Ball	817025-007, 831002-061, 111040
CP-R1444	1/4	115	6	Ball	816141-001
CP-R1356	1/3	115	5	Ball	817025-013, 831003-061, 111042
CP-R1446	1/3	115	6	Ball	816141-002
CP-R1359	1/2	115/230	7	Ball	831009-061, 111044
CP-R1368	1/2	230/460	8	Ball	811757-003, 020, 023, 831011-083, 111046
CP-R1459	1/2	115/230	9	Ball	811757-001, 111044
CP-R1362	1/2	115/230	7	Ball	831010-062, 111047
CP-R1370	1/2	230/460	8	Ball	831012-083, 111049
CP-R1372	3/4	575	8	Ball	811757-006, 111049-5
CP-R1462	3/4	115/230	9	Ball	811757-002, 033, 111047
CP-R1470	3/4	230/460	10	Ball	811575-005, 111049
CP-R1472	3/4	575	10	Ball	811757-005, 024, 027, 111049-5
CP-R1363	1	115/230	7	Ball	816676-062, 111050
CP-R1371	1	230/460	8	Ball	816675-069, 169090
CP-R1373	1	575	8	Ball	816676-068, 169090-5
CP-R1463	1	115/230	9	Ball	811757-007, 028, 031, 111050
CP-R1471	1	230/460	10	Ball	811757-008, 169090
CP-R1473	1	575	10	Ball	811757-009, 028, 031, 169090-5
CP-R1374	1 1/2	230/460	8	Ball	816678-069, 169092
CP-R1375	1 1/2	575	8	Ball	816685-068, 196092-5



## Pump Couplers

### Easy Links - Spirolink



T6-10010 Illustrated



T6-10034 Illustrated

Part#	Specification	Description
T6-10010	1/2" x 1/2"	1/2 to 1/3 HP Easy Link
T6-10010SL	1/2" x 1/2"	Spirolink
T6-10023	1/2" x 1/2" or 1/2" x 5/8"	1/2 to 3/4 HP Easy Link
T6-10023SL	1/2" x 1/2" or 1/2" x 5/8"	Spirolink
T6-10034SL	1/2" x 5/8" or 5/8" x 5/8"	Spirolink
T6-10045SL	1/2" x 5/8" or 5/8" x 5/8"	Taco





[WWW.ALLTEMP.CA](http://WWW.ALLTEMP.CA)