



ALLTEMP

Bristol compressors

AIR CONDITIONING COMPRESSORS CATALOGUE



SCROLL COMPRESSORS

SINGLE SPEED (R22)

Single Phase - 208/230 Volt (22800 to 60670)

Three Phase - 208/230 Volt (39600 to 74800)

Three Phase - 460 Volt (33200 to 75300)

RECIPROCATING COMPRESSORS

SINGLE SPEED (R22)

Single Phase - 208/230 Volt (12600 to 60800)

Three Phase - 200/208 Volt (32200 to 60800)

Three Phase - 208/230 Volt (88700 to 287300)

Three Phase - 460 Volt (31900 to 287300)

Three Phase - 575 Volt (42100 to 183200)

TWO SPEED (R22)

Three Phase - 200/208 Volt (38900 to 252900)

Three Phase - 460 Volt (38900 to 252900)

Three Phase - 575 Volt (38900 to 183200)



Questions or Concerns? Call 1 800 263-4624

ALLTEMP PRODUCTS COMPANY LIMITED

827 Brock Road South • Pickering On Canada • L1W 3J2

Toronto (416)798-7648 • Phone (905)831-3311 • Order Desk 1 800 263-4624 • Fax (905)831-1864

sales@alltemp.ca • www.alltemp.ca



COMPRESSOR MODEL NUMBER SYSTEM

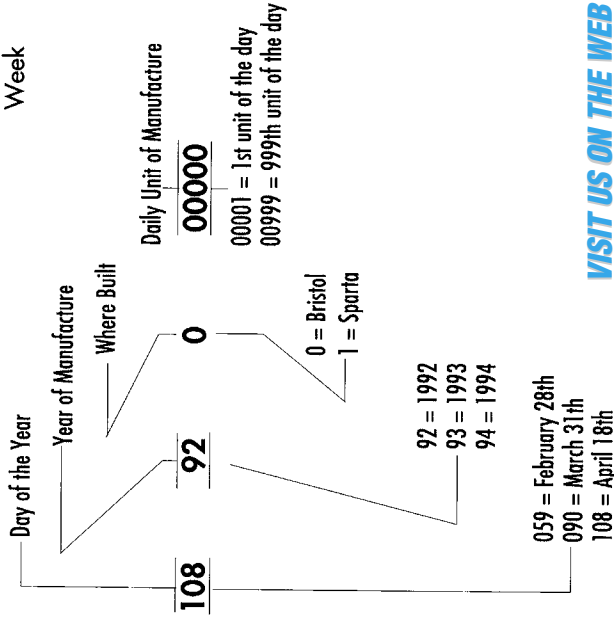
H	2	5	B	193	A	B	C	A
<p>Mounting Feet Dim A = 7.5 x 7.5, B = 4.8 x 8.0, C = 8.44 x 9.75, D = 6.12 x 8.0, E = 9.5 x 9.5 F = 10.5 x 10.5, H = 7.5 x 21.5, J = 7.5 x 22.5, X = Frigidaire Special</p>								
<p>Electrical</p> <p>Characteristics A = 115-1-60 M = 220/200-3-50 B = 230-1-60 N = 380/415-3-50 C = 230/208-1-60 T = 208-1-60 D = 230/208-3-60 or 270/200-3-50 U = 220/380-3-60 E = 460-3-60 or 380/415-3-50 V = 460/380-3-60 (380/415-3-50) F = 575-3-60 or 500-3-50 W = 380/460-3-60 G = 200-1-60 X = 380-3-60 H = 265-1-60 & 220/240-1-50 Y = 230/208-3-60 (No 50 hz) J = 230/208-1-50 K = 220/240-1-50 L = 230/200-3-60 or 220/200-3-50</p>								
<p>Motor Protector E = External P = Pilot Duty - Solid State B = Internal Line Break C = Internal Line Break (B Version) H = External - Heineman R = Pilot Duty - Solid State (2nd Generation) T = Pilot Duty - Internal Thermostat and Ext. Sensing Elements</p>								
<p>Motor Type A = PSC Permanent Split Capacitor F = PWS 3 Phase-Part Winding Start B = CSR Capacitor Start/Cap. Run G = 3 Phase 2/4/Pole (2 Speed) C = RSCR Resistance Start/Cap. Run J = 1 Phase 2/4 Pole (2 Speed) D = AL 3 Phase-Across the Line K = 3 Phase-Dual Voltage E = CSIR Cap. Start/Induction Run L = 3 Phase - WYE DELTA</p>								
<p>Capacity 193 = 19,000 BTU/Hr., 244 = 240,000 BTU/Hr. When 5-7 digits are numerical/ 19Q = 19+3-0's in "Quiet Version" - 19,000 BTU/Hr. "Quiet"</p>								
<p>Family Series A = Model A B = Model B C = Scroll (< 42K) D = Dual D = Dual G = Model G R = Scroll (> 42K)</p>								
<p>Special Features D = Dual Compressor Application E = High Efficiency M = Alternate Pressure Relief Valve N = No Pressure Relief Valve O = Basic Standard Model P = Second Generation Basic Standard Model: 450/550 PSI IPRV ("A")</p>								
<p>F = Second Generation - High Efficiency B = Second Generation - No Pressure Relief Valve 1 = Second Generation - Basic Standard Model 2 = Third Generation - Basic Standard Model 3 = Fourth Generation - Basic Standard Model 4 = Basic Standard Model - Improved Sound 5 = Inertia Series-Standard Model 6 = Inertia Series - Hi Efficiency Model 7 = Inertia Series-2nd Generation Hi Efficiency Model 8 = Inertia Series - 3rd Generation Hi Efficiency Model 9 = Basic Standard Model-Upgrade</p>								
<p>Type of Refrigerant 1 = R12 2 = R22 4 = R134A 5 = R502 (or HP81 in Med Temp. 60HZ) 6 = R404A 7 = R407C 8 = R410A</p>								
<p>Refrigeration Application H = High Temperature M = Medium Temperature L = Low Temperature</p>								

Family

A, B and G Series C and R Series
 Serial Number System Serial Number System

Example: S3795K00001

S = Scroll Technologies
 37 = Production Week
 95 = Year
 K = State (Arkansas)
 00001 = Sequence # of Units Built During the Week



VISIT US ON THE WEB @

www.alltemp.ca

- Complete Cross Referencing
- New Product Feature Page
- On-Line Products & Literature
- Industry Links
- Wholesale Area

* Requires Motor Protection

Part Numbers Ending in "R" = Rotolock

Unless Otherwise Indicated All Compressors Are Sweat

SCROLL COMPRESSORS



Single Phase - 208/230 Volt (R22)

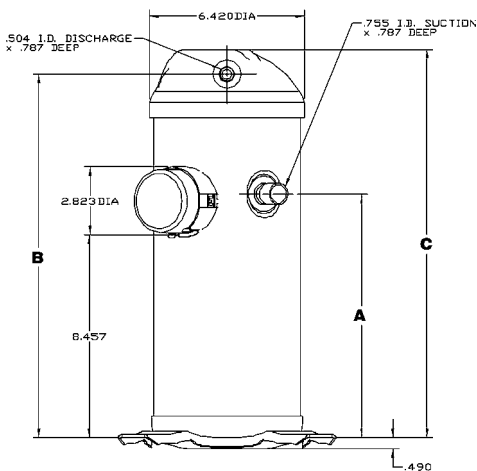
Part #	@45°F/130°F Evap		@45°F/110°F Evap		HZ	RLA	LRA	MCC	Dis	Suc	Oil Chrg (oz)	Dimensions (")			Weight (Lbs.)
	BTUH	EER	BTUH	EER								A	B	C	
H20C233ABCA	22800	10.9	25700	15.1	50/60	11.5	64	18.0	1/2 S	3/4 S	36	9.4	14.3	15.8	60.1
H21C293ABCA	28700	11.0	32022	15.9	50/60	14.1	78	22.0	1/2 S	3/4 S	36	9.4	14.3	15.8	60.1
H21C343ABCA	33400	10.9	37579	15.9	50/60	16.7	97	26.0	1/2 S	3/4 S	36	10.2	15.2	16.7	68.0
H21C383ABCA	37500	10.9	42292	16.1	50/60	19.2	105	30.0	1/2 S	3/4 S	36	10.2	15.2	16.7	68.3
H21C403ABCA	39700	11.1	44573	16.0	50/60	18.3	115	28.5	1/2 S	3/4 S	36	10.2	15.2	16.7	68.3
H21C423ABCA	41400	11.0	46678	16.1	50/60	20.5	115	32.0	1/2 S	3/4 S	36	10.2	15.2	16.7	68.3
H21R453ABCA	44800	11.3	50169	16.1	50/60	23.4	126	36.5	1/2 S	7/8 S	65	12.2	17.2	18.8	88.8
H21R483ABCA	48500	11.4	54088	16.3	50/60	24.4	150	38.0	1/2 S	7/8 S	65	12.2	17.2	18.2	85.8
H21R543ABCA	54100	11.3	60521	16.3	50/60	26.9	175	42.0	1/2 S	7/8 S	65	12.2	17.2	18.8	93.0
H21R583ABCA	57900	11.3	65099	15.8	50/60	28.9	175	45.0	1/2 S	7/8 S	65	12.2	17.5	19.1	91.3
H21R603ABCA	60670	11.3	67979	16.1	50/60	28.9	175	45.0	1/2 S	7/8 S	65	12.2	17.5	19.1	93.0

Three Phase - 208/230 Volt (R22)

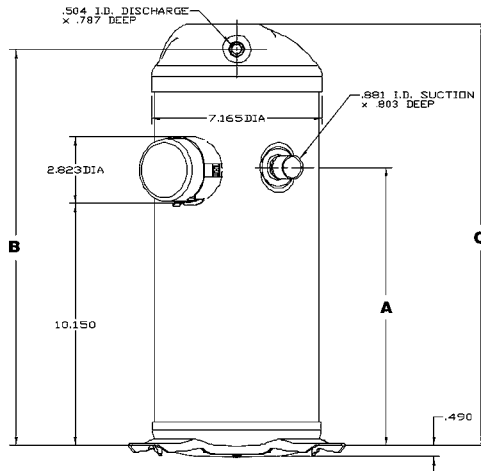
Part #	@45°F/130°F Evap		@45°F/110°F Evap		HZ	RLA	LRA	MCC	Dis	Suc	Oil Chrg (oz)	Dimensions (")			Weight (Lbs.)
	BTUH	EER	BTUH	EER								A	B	C	
H20C403DBYA	39600	11.1	44300	13.9	60	12.4	90	19.4	1/2 S	3/4 S	36	10.2	15.2	16.7	66.8
H21C423DBYA	41400	11.0	44169	13.5	60	14.1	90	22.0	1/2 S	3/4 S	36	10.2	15.2	16.7	68.3
H21R453DBYA	44100	11.2	49580	16.2	60	13.0	93	20.0	1/2 S	7/8 S	70	12.2	17.2	18.8	74.7
H21R583DBYA	56500	11.3	63614	16.6	60	15.5	125	26.5	1/2 S	7/8 S	76	12.2	17.5	19.1	80.3
H20R603DBYA	59400	11.4	66434	15.7	60	16.0	125	25.0	1/2 S	7/8 S	76	12.2	17.5	19.1	87.8
H20R753DBYA	74800	11.4	83900	15.8	60	18.9	146	29.5	1/2 S	7/8 S	80	11.7	16.6	18.2	97.8

Three Phase - 460 Volt (R22)

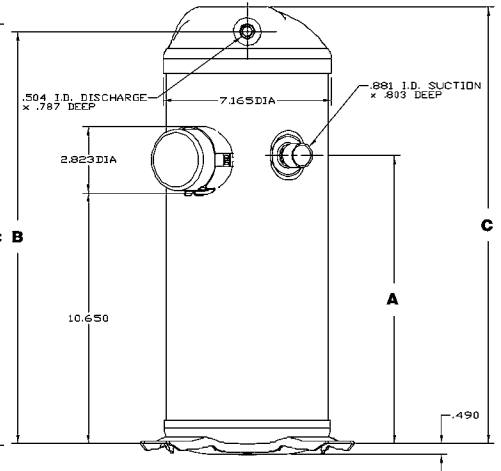
H21C383DBEA	33200	10.9	37503	15.8	50/60	5.5	37.5	8.5	1/2 S	3/4 S	36	10.2	15.2	16.7	37.7
H21C343DBEA	33400	10.9	37579	15.9	50/60	16.7	96.7	26.0	1/2 S	3/4 S	36	10.2	15.2	16.7	67.7
H20C403DBEA	39700	11.1	44600	15.6	50/60	6.2	45	9.7	1/2 S	3/4 S	36	10.2	15.2	16.7	66.8
H21R453DBEA	44000	11.2	49580	16.2	50/60	6.4	46.5	10.0	1/2 S	7/8 S	70	12.2	17.2	18.8	81.0
H21R583DBEA	56600	11.2	63880	16.4	50/60	8.9	67	13.9	1/2 S	7/8 S	76	12.2	17.5	19.1	81.3
H21R603DBEA	58400	11.2	65607	16.4	50/60	9.1	67	14.2	1/2 S	7/8 S	76	12.2	17.5	19.1	81.3
H20R753DBEA	75300	11.6	83500	16.1	50/60	9.5	73	14.8	1/2 S	7/8 S	80	12.2	17.5	19.1	97.8



H20C & H21C



H20R



H21R

RECIPROCATING COMPRESSORS



Single Phase - 208/230 Volt (R22)

Part #	@45°F/130°F Evap		@45°F/110°F Evap		HZ	RLA	LRA	MCC	Dis	Suc	Oil Chrg (oz)	Dimensions (")			Weight (Lbs.)
	BTUH	EER	BTUH	EER								A	B	C	
H24B13QABCA	12600	8.0	15476	11.1	50/60	8.6	40	13.0	5/16 E	1/2 E	40	10.5	12.2	12.5	53.5
H24B13QABCB	12600	8.0	15476	11.1	50/60	8.6	40	13.0	5/16 E	1/2 E	40	10.5	12.2	12.5	53.5
H23B15QABCB	14900	9.8	18117	13.4	50/60	6.7	45	14.0	3/8 E	5/8 E	40	12.2	12.6	12.9	62.0
H29B15UABCA	15700	10.6	19602	14.8	50/60	6.7	48	12.0	3/8 E	5/8 S	35	11.2	13.2	13.5	64.0
H23B17QABCB	16600	9.8	19994	13.4	50/60	7.6	54	15.0	3/8 E	5/8 E	40	12.2	12.6	12.9	63.5
H29B17UABCA	17200	10.7	21455	14.9	50/60	7.2	48	14.0	3/8 E	5/8 S	35	11.2	13.2	13.5	64.0
H23B19QABCB	17900	9.8	21711	13.6	50/60	8.2	57	16.0	3/8 E	5/8 E	40	12.8	13.2	13.5	65.0
H29B18UABCA	18100	10.8	22336	15.0	50/60	7.4	48	14.0	3/8 E	5/8 S	35	11.2	13.2	13.5	64.0
H29B20UABCA	20400	10.7	24757	14.6	50/60	8.6	60	17.0	3/8 E	5/8 S	35	11.2	13.2	13.5	64.0
H23B22QABCB	21800	9.8	26542	13.4	50/60	9.7	57	18.8	3/8 E	5/8 E	40	12.8	13.2	13.5	65.5
H29B22UABCA	22500	10.7	27381	14.7	50/60	9.6	60	18.0	3/8 E	5/8 S	35	11.2	13.2	13.5	66.0
H23B24QABCB	24000	9.8	28059	13.1	50/60	10.9	66	20.2	3/8 E	5/8 E	40	12.8	13.2	13.5	66.0
H29B24UABCA	24200	10.9	29080	15.1	50/60	9.6	61	19.0	1/2 E	3/4 S	35	11.7	13.8	14.0	68.5
H29B26UABCA	26500	10.9	31542	15.1	50/60	10.9	68	20.0	1/2 E	3/4 S	35	11.7	13.8	14.0	68.5
H23B28QABCB	27800	9.7	32706	12.9	50/60	12.8	76	23.0	3/8 E	5/8 E	40	12.8	13.2	13.5	67.5
H29B28UABCA	28200	10.9	33579	14.9	50/60	11.8	73	22.0	1/2 E	3/4 S	35	11.7	13.8	14.0	68.5
H29B30UABCA	29800	11.0	35420	15.0	50/60	12.4	82	23.0	1/2 E	3/4 S	35	12.2	14.2	14.5	73.0
H29B32UABCA	31800	10.9	37984	15.0	50/60	13.0	82	23.5	1/2 E	3/4 S	35	12.2	14.2	14.5	73.0
H29B35UABCA	35300	10.9	41718	14.9	50/60	14.4	86	26.0	1/2 E	3/4 S	40	12.2	14.2	14.5	75.0
H23A383ABCA	37900	10.3	45130	14.0	50/60	17.0	97	30.0	3/8 E	3/4 E	50	12.0	14.6	14.9	82.5
H23A423ABCA	42100	10.4	49820	14.0	50/60	18.7	110	31.2	1/2 E	7/8 E	50	12.5	14.6	14.9	82.5
H23A463ABCA	46300	10.3	54570	13.4	50/60	21.6	118	36.4	1/2 E	7/8 E	55	12.5	14.6	14.9	85.5
H23A503ABCA	49000	10.0	59189	13.7	50/60	22.3	138	40.0	1/2 E	7/8 E	55	14.0	16.1	16.4	92.0
H23A543ABCA	53400	10.0	63061	13.0	50/60	24.4	138	45.5	1/2 E	7/8 E	55	14.0	16.1	16.4	95.5
H23A563ABCA	55600	10.1	66028	13.2	50/60	24.6	142	45.0	1/2 E	7/8 E	55	14.0	16.1	16.4	95.5
H23A623ABCA	60800	10.0	71127	13.0	50/60	28.2	78	47.0	1/2 E	7/8 E	55	14.0	16.1	16.4	97.5

Three Phase - 200/208 Volt (R22)

Part #	@45°F/130°F Evap		@45°F/110°F Evap		HZ	RLA	LRA	MCC	Dis	Suc	Oil Chrg (oz)	Dimensions (")			Weight (Lbs.)
	BTUH	EER	BTUH	EER								A	B	C	
H29B32UDBLA	32200	10.9	38336	15.0	50/60	9.0	78	16.0	1/2 E	3/4 S	35	12.2	14.2	14.5	71.0
H29B35UDBLA	35100	10.8	41405	14.6	50/60	9.6	78	16.0	1/2 E	3/4 S	40	12.2	14.2	14.5	71.0
H23A383DBLA	37900	10.4	45130	14.2	50/60	10.4	78	20.0	3/8 E	3/4 E	50	12.5	14.6	14.9	78.5
H23A423DBLA	42100	10.4	49820	14.1	50/60	11.7	78	20.0	1/2 E	7/8 E	50	12.5	14.6	14.9	78.5
H23A463DBLA	46300	10.5	54570	13.6	50/60	12.6	90	24.0	1/2 E	7/8 E	55	12.5	14.6	14.9	78.5
H23A543DBLA	53400	10.1	63061	13.3	50/60	14.5	106	27.0	1/2 E	7/8 E	55	14.0	16.1	16.4	84.0
H23A563DBLA	55600	10.3	66029	13.4	50/60	15.3	124	30.0	1/2 E	7/8 E	55	14.0	16.1	16.4	87.5
H23A623DBLA	60800	10.2	71127	13.3	50/60	17.0	124	32.0	1/2 E	7/8 E	55	14.0	16.1	16.4	87.5

Three Phase - 208/230 Volt (R22)

H2BG094DBDER	88700	10.3	108684	14.5	50/60	24.0	145	40.0	1-1/4 x 12	1-3/4 x 12	96	9.0	17.6	17.9	138.0
H2BG094DBDE	88700	10.3	108684	14.5	50/60	24.0	145	40.0	7/8 S	1-1/8 S	96	9.0	17.6	17.9	138.0
H2BG104DBDER	103900	10.4	121853	13.9	50/60	29.3	166	45.0	1-1/4 x 12	1-3/4 x 12	96	9.0	18.3	18.7	153.0
H2BG104DBDE	103900	10.4	121853	13.9	50/60	29.3	166	45.0	7/8 S	1-1/8 S	96	9.0	18.3	18.7	153.0
H2BG124DBDER	121500	10.1	144193	13.5	50/60	36.0	205	56.0	1-1/4 x 12	1-3/4 x 12	96	9.0	18.3	18.7	155.0
H2BG124DBDE	121500	10.1	144193	13.5	50/60	36.0	205	56.0	7/8 S	1-1/8 S	96	9.0	18.3	18.7	155.0
H25G144DBDER	140000	10.1	167854	13.7	50/60	43.1	252	69.0	1-1/4 x 12	1-3/4 x 12	96	9.0	20.6	20.9	176.0
H25G144DBDE	140000	10.1	167854	13.7	50/60	43.1	252	69.0	7/8 S	1-1/8 S	96	9.0	20.6	20.9	176.0
H2NG184DPDFR*	183200	10.3	224544	14.4	50/60	20.5	100	35.2	1-1/4 x 12	1-3/4 x 12	256	11.8	21.8	22.4	253.0
H2NG184DPDF*	183200	10.3	224544	14.4	50/60	20.5	100	35.2	1-1/8 S	1-1/8 S	256	11.8	21.8	22.4	253.0
H2NG204FRDFR*	212400	10.2	255610	13.8	50/60	60.0	282	98.0	1-1/4 x 12	1-3/4 x 12	224	11.8	21.8	22.4	259.0
H2NG244FRDFR*	252900	10.0	298669	13.3	50/60	73.1	360	112.0	1-1/4 x 12	1-3/4 x 12	224	11.8	21.8	22.4	279.0
H2NG244FRDF*	252900	10.0	298669	13.3	50/60	36.6	180	56.0	1-1/8 S	1-1/8 S	224	11.8	21.8	22.4	279.0
H2NG294FPDFR*	287300	9.5	341781	12.6	50/60	87.7	400	138.0	1-1/4 x 12	1-3/4 x 12	224	11.8	21.8	22.4	279.0
H2NG294FPDF*	287300	9.5	341781	12.6	50/60	87.7	400	138.0	1-1/8 S	1-1/8 S	224	11.8	21.8	22.4	279.0

RECIPROCATING COMPRESSORS

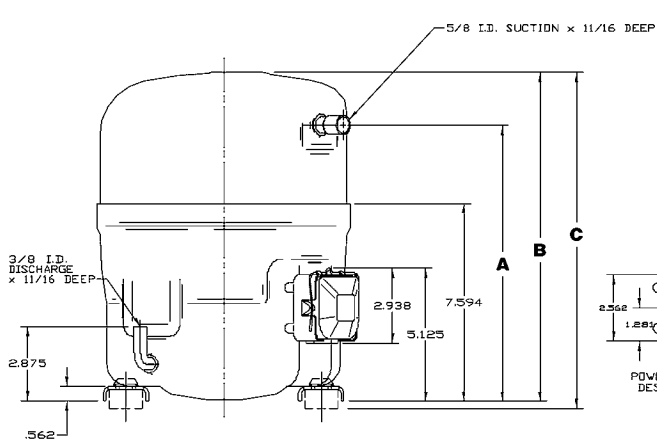
Three Phase - 460 Volt (R22)



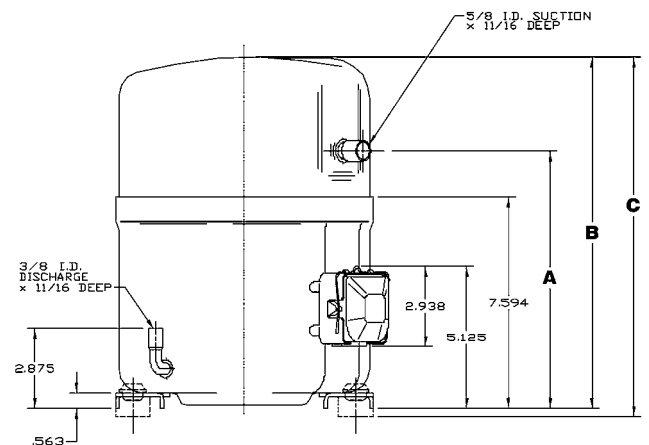
Part #	@45°F/130°F Evap		@45°F/110°F Evap		HZ	RLA	LRA	MCC	Dis	Suc	Oil Chrg (oz)	Dimensions (")			Weight (Lbs.)
	BTUH	EER	BTUH	EER								A	B	C	
H29B32UDBEA	31900	10.8	38089	14.8	50/60	4.5	40	8.1	1/2 E	3/4 S	35	12.2	14.2	14.5	71.0
H29B35UDBEA	34900	10.7	41396	14.6	50/60	4.9	40	8.6	1/2 E	3/4 S	40	12.0	14.2	14.5	71.0
H23A383DBEA	37900	10.4	45130	14.2	50/60	5.5	39	9.5	3/8 E	3/4 E	50	12.5	14.6	14.9	78.5
H23A423DBEA	42100	10.4	49820	14.1	50/60	5.7	39	9.5	1/2 E	7/8 E	50	12.5	14.0	14.9	78.5
H23A463DBEA	46300	10.5	54570	13.8	50/60	6.3	45	13.0	1/2 E	7/8 E	55	12.5	14.6	14.9	78.5
H23A543DBEA	53400	10.0	63061	13.3	50/60	7.5	53	14.0	1/2 E	7/8 E	55	14.0	16.1	16.4	84.0
H23A563DBEA	55600	10.3	66029	13.4	50/60	8.0	62	15.0	1/2 E	7/8 E	55	14.0	16.1	16.4	87.5
H23A623DBEA	60800	10.2	71127	13.3	50/60	8.8	62	16.0	1/2 E	7/8 E	55	14.0	16.1	16.4	87.5
H2BG094DBEER	88700	10.3	108684	14.5	50/60	12.3	72	19.0	1-1/4 x 12	1-3/4 x 12	96	9.0	17.6	17.9	138.0
H2BG094DBEE	88700	10.3	108684	14.5	50/60	12.3	72	19.0	7/8 S	1-1/8 S	96	9.0	17.6	17.9	138.0
H2BG104DBEER	103900	10.4	121853	13.9	50/60	14.6	87	22.0	1-1/4 x 12	1-3/4 x 12	96	9.0	18.3	18.7	153.0
H2BG104DBEE	103900	10.4	121853	13.9	50/60	14.6	87	22.0	7/8 S	1-1/8 S	96	9.0	18.3	18.7	153.0
H2BG124DBEER	119000	9.9	108273	14.2	50/60	17.0	85	25.0	1-1/4 x 12	1-3/4 x 12	96	9.0	18.3	18.7	155.0
H2BG124DBEE	119000	9.9	108273	14.2	50/60	17.0	85	25.0	7/8 S	1-1/8 S	96	9.0	18.3	18.7	155.0
H25G144DBEER	140000	10.1	167854	13.7	50/60	21.6	138	34.5	1-1/4 x 12	1-3/4 x 12	96	9.0	20.6	20.9	176.0
H25G144DBEE	140000	10.1	167854	13.7	50/60	21.6	138	34.5	7/8 S	1-1/8 S	96	9.0	20.6	20.9	176.0
H2NG184DPEFR*	183200	10.3	221942	14.3	50/60	25.9	117	40.0	1-1/4 x 12	1-3/4 x 12	224	11.8	21.8	22.4	259.0
H2NG184DPEF*	183200	10.3	221942	14.3	50/60	25.9	117	40.0	1-1/8 S	1-1/8 S	224	11.8	21.8	22.4	259.0
H2NG204DREFR*	212400	10.2	255610	13.8	50/60	30.0	141	49.0	1-1/4 x 12	1-3/4 x 12	224	11.8	21.8	22.4	259.0
H2NG244DREFR*	252900	10.0	298669	13.3	50/60	36.6	180	56.0	1-1/4 x 12	1-3/4 x 12	224	11.8	21.8	22.4	279.0
H2NG244DREF*	252900	10.0	298669	13.3	50/60	36.6	180	56.0	1-1/8 S	1-1/8 S	224	11.8	21.8	22.4	279.0
H2NG294DPEFR*	287300	9.5	341775	12.6	50/60	43.9	200	69.0	1-1/4 x 12	1-3/4 x 12	224	11.8	21.8	22.4	279.0

Three Phase - 575 Volt (R22)

H23A423DBFA	42100	10.4	49820	14.1	50/60	4.6	36	8.0	1/2 E	7/8 E	50	12.5	14.6	14.9	78.5
H23A463DBFA	46300	10.5	54570	13.6	50/60	5.0	36	10.0	1/2 E	7/8 E	55	12.5	14.6	14.9	78.5
H23A543DBFA	53400	10.1	63061	13.3	50/60	5.8	43	10.0	1/2 E	7/8 E	55	14.0	16.1	16.4	84.0
H23A563DBFA	55600	10.3	66029	13.4	50/60	6.1	50	12.0	1/2 E	7/8 E	55	14.0	6.1	16.4	87.5
H23A623DBFA	60800	10.2	71127	13.3	50/60	6.8	50	13.0	1/2 E	7/8 E	55	14.0	16.1	16.4	87.5
H2BG094DBFER	88200	10.3	108273	14.2	50/60	10.0	60	14.5	1-1/4 x 12	1-3/4 x 12	96	9.0	17.6	17.9	128.0
H2BG124DBFER	119000	9.9	143055	13.4	50/60	13.4	66	20.0	1-1/4 x 12	1-3/4 x 12	96	9.0	17.6	17.9	146.0
H2NG184DPFER	183200	10.3	221942	14.3	50/60	20.7	94	32.0	1-1/4 x 12	1-3/4 x 12	224	11.8	21.8	22.4	253.0



H23A & H23B



H24B

RECIPROCATING COMPRESSORS



TWO SPEED

Three Phase - 200/208 Volt 50/60 Hz (R22)

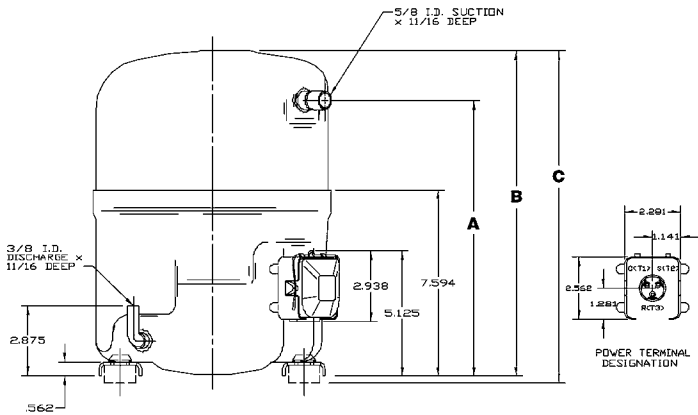
Part #	@45°F/130°F Evap		@45°F/110°F Evap		RLA	LRA	MCC	Dis	Suc	Oil Chrg (oz)	Dimensions (")			Weight (Lbs.)
	BTUH	EER	BTUH	EER							A	B	C	
H2NG094GPDER*	87700/38900	10.1/9.2	106700/51200	14.1/13.9	25.3/12.7	140/50	38.0	1-1/4 x 12	1-3/4 x 12	96	11.8	21.8	22.4	162.0
H2NG104GPDER*	101800/45200	9.9/9.1	122600/58900	13.6/13.4	30.0/15.0	160/58	48.0	1-1/4 x 12	1-3/4 x 12	96	11.8	21.8	22.4	166.0
H2NG124GPDER*	119400/54600	9.6/9.0	141800/ 68100	13.0/12.9	35.2/17.6	185/67	56.3	1-1/4 x 12	1-3/4 x 12	96	11.8	21.8	22.4	174.0
H2NG184GPDFR*	183200/80200	10.3/9.3	224500/104900	14.4/14.2	51.3/25.6	248/89	88.0	1-1/4 x 12	1-3/4 x 12	256	11.8	21.8	22.4	252.0
H2NG204GPDFR*	212400/97200	10.2/9.6	256100/123000	13.8/14.2	60.0/30.0	300/108	98.0	1-1/4 x 12	1-3/4 x 12	256	11.8	21.8	22.4	272.0
H2NG244GPDFR*	252900/114500	10/9.7	301700/145300	13.3/14.2	73.1/36.5	362/124	124.0	1-1/4 x 12	1-3/4 x 12	256	11.8	21.8	22.4	272

Three Phase - 460 Volt (R22)

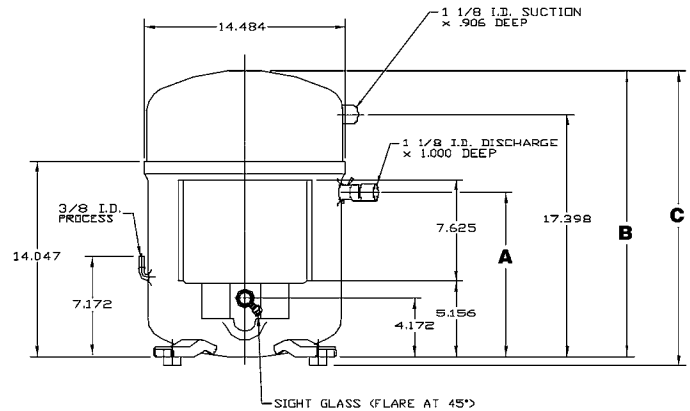
H2NG094GPEER*	87700/38900	10.1/9.2	106700/51200	14.1/13.9	12.7/7.8	70/31	19.0	1-1/4 x 12	1-3/4 x 12	96	11.8	21.8	22.4	162.0
H2NG104GPEER*	101800/45200	9.9/9.1	122600/58900	13.6/13.4	15.0/9.3	80/36	24.0	1-1/4 x 12	1-3/4 x 12	96	11.8	21.8	22.4	166.0
H2NG124GPEER*	119400/54600	9.6/9.0	141800/ 68100	13.0/12.9	17.6/10.9	93/42	28.2	1-1/4 x 12	1-3/4 x 12	96	11.8	21.8	22.4	174.0
H2NG184GPEFR*	183200/80240	10.3/9.3	224544/105000	14.4/14.2	20.5/12.8	100/45	20.4	1-1/4 x 12	1-3/4 x 12	265	11.8	21.8	22.4	253.0
H2NG204GPEFR*	212400/97200	10.2/9.6	256100/123200	13.8/14.2	24.0/15.0	120/54	39.2	1-1/4 x 12	1-3/4 x 12	256	11.8	21.8	22.4	272.0
H2NG244GPEFR*	252900/114500	10/9.7	301700/145300	13.3/14.2	29.3/18.3	145/62	54.2	1-1/4 x 12	1-3/4 x 12	256	11.8	21.8	22.4	272

Three Phase - 575 Volt (R22)

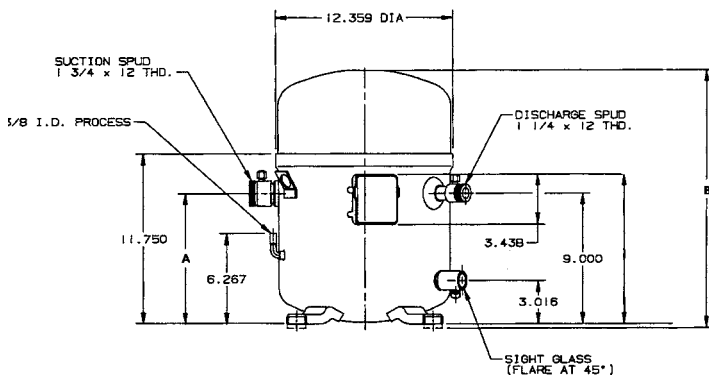
H2NG094GPFER*	87700/38900	10.1/9.2	106700/49100	14.1/13.9	10.1/5.1	56/20	15.2	1-1/4 x 12	1-3/4 x 12	96	11.8	21.8	22.4	162.0
H2NG104GPFER*	101800/45200	9.9/9.1	122600/56400	13.6/13.4	12.0/6.0	64/23	19.2	1-1/4 x 12	1-3/4 x 12	96	11.8	21.8	22.4	166.0
H2NG124GPFER*	119400/54600	9.6/9.0	141800/65200	13.0/12.9	14.1/7.1	74/27	22.3	1-1/4 x 12	1-3/4 x 12	96	11.8	21.8	22.4	174.0
H2NG184GPFER*	183200/80200	10.3/9.3	224500/105000	14.4/14.2	20.5/10.3	100/36	35.2	1-1/4 x 12	1-3/4 x 12	265	11.8	21.8	22.4	253.0
H2NG184GPFFR*	183200/80200	10.3/9.3	224500/105000	14.4/14.2	20.5/10.3	100/36	35.2	1-1/4 x 12	1-3/4 x 12	265	11.8	21.8	22.4	253.0



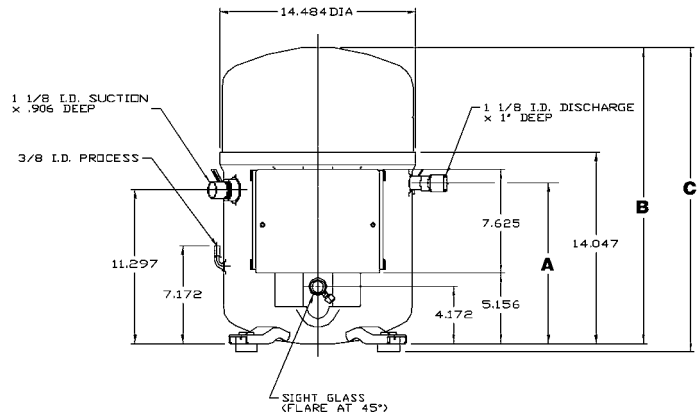
H29B



H25G



H2BG



H2NG

COMPRESSOR PARTS & ACCESORIES

Crankcase Heaters - Scroll

Part #	Description
H2228491	240V 70 WATT
H2228492	460V 70 WATT
H2228493	575V 70 WATT

Crankcase Heaters - Recip.

Part #	Description
H2241430	23" 30 WATT
H2241431	8" 30 WATT
H2241541	23" 40 WATT
H2241711	120V (094-144 Series)
H2241708	120V (184-294 Series)
H2241712	230V (094-144 Series)
H2241707	230V (184-294 Series)
H2241713	460V (094-144 Series)
H2241706	460V (184-294 Series)
H2241714	575V (094-144 Series)
H2241710	575V (184-294 Series)

Mounting Hardware

Part #	Description
H2236201	Grommet (H23A & B Series)
H2236400	Sleeve (H23A & B Series)

Compressor Modules

Part #	Description
H2241731	24V (144-294 Series)
H2241732	24V (094-124 Series)
H2241733	120V (094-124 Series)
H2241734	230V (094-124 Series)
H2241745	120/230V (144-294 Series)

Adapters & Valves

Part #	Description
H2250507	7/8" Dis. Valve (094-144 Series)
H2250508	1 1/8" Suc. Valve (094-144 Series)
H2250509	7/8" Dis. Adapter (094-144 Series)
H2250510	1 1/8" Suc. Adapter (094-124 Series)
H2250511	Dis. Seal (094-294 Series)
H2250512	Suc. Seal (094-294 Series)
H2250525	1 3/8" Suc. Valve (144 Series)
H2250526	1 5/8" Suc. Valve (184-294 Series) - Thread 1 3/4" x 12
H2250527	1 1/8" Dis. Valve (184-294 Series) - Thread 1 1/4" x 12
H2250534	1 1/8" Dis. Adapter (184-294 Series)

START/ RUN CAPACITOR & RELAY REFERENCE

SCROLL COMPRESSORS

Single Phase - 208/230 Volt

Part #	Run Cap	Start Cap	Relay
H20C233ABCA	35/370	88-108/250	3ARR3*9P*
H21C293ABCA	35/440	88-108-250	3ARR3*10S*
H21C343ABCA	50/370	88-108/250	3ARR3*3L*
H21C383ABCA	35/440	88-108/250	3ARR3*6S*
H21C403ABCA	40/440	88-108/250	3ARR3*6S*
H21C423ABCA	40/440	88-108/250	3ARR3*6S*
H21R453ABCA	70/370	88-108/250	3ARR3*3L*
H21R483ABCA	60/370	161-193/250	3ARR3*3L*
H21R543ABCA	80/370	145-175/330	3ARR3*3P*
H21R583ABCA	80/370	145-175/330	3ARR3*3P*
H21R603ABCA	80/370	145-175/330	3ARR3*3P*

RECIPROCATING COMPRESSORS

Single Phase - 208/230 Volt

Part #	Run Cap	Start Cap	Relay
H24B13QABCA	15/370	88-108250	3ARR3*3U*
H24B13QABCB	15/370	88-108250	3ARR3*3U*
H23B15QABCB	25/370	88-108/250	3ARR3*3T*
H29B15UABCA	30/370	161-193/250	3ARR3*3V*
H23B17QABCB	25/370	88-108/250	3ARR3*3P*
H29B17UABCA	30/370	161-193/250	3ARR3*3V*
H23B19QABCB	25/370	88-108/250	3ARR3*10S*
H29B18UABCA	30/370	161-175/250	3ARR3*3U*
H29B20UABCA	30/370	145-175/250	3ARR3*3U*
H23B22QABCB	30/370	88-108/250	3ARR3*10S*
H29B22UABCA	30/370	145-175/250	3ARR3*3U*
H23B24QABCB	35/370	88-108/250	3ARR3*24P*
H29B24UABCA	35/370	145-175/250	3ARR3*3N*
H29B26UABCA	35/370	145-175/250	3ARR3*3T*
H23B28QABCB	35/370	88-108/250	3ARR3*10S*
H29B28UABCA	35/370	145-175/250	3ARR3*3T*
H29B30UABCA	40/370	145-175/250	3ARR3*3P*
H29B32UABCA	40/370	145-175/250	3ARR3*3P*
H29B35UABCA	45/370	145-175/250	3ARR3*3N*
H23A383ABCA	35/440	145-175/250	3ARR3*4A*
H23A423ABCA	40/440	145-175/250	3ARR3*4A*
H23A463ABCA	40/440	135-155/330	3ARR3*4A*
H23A503ABCA	40/440	135-155/330	3ARR3*4A*
H23A543ABCA	55/440	135-155/330	3ARR3*6U*
H23A563ABCA	55/440	135-155/330	3ARR3*6U*
H23A623ABCA	55/440	135-155/330	3ARR3*4A*

MODULE & CRANKCASE HEATER REFERENCE

RECIPROCATING COMPRESSORS Single Phase - 208/230 Volt

Part #	24V Module	120V Module	230V Module	230/120V Module	CCH
H23A383ABCA	-	-	-	-	H2241430
H23A423ABCA	-	-	-	-	H2241430
H23A463ABCA	-	-	-	-	H2241430
H23A503ABCA	-	-	-	-	H2241430
H23A543ABCA	-	-	-	-	H2241430
H23A563ABCA	-	-	-	-	H2241430
H23A623ABCA	-	-	-	-	H2241430

Three Phase - 200/208 Volt

Part #	24V Module	120V Module	230V Module	230/120V Module	CCH
H23A383DBLA	-	-	-	-	H2241430
H23A423DBLA	-	-	-	-	H2241430
H23A463DBLA	-	-	-	-	H2241430
H23A543DBLA	-	-	-	-	H2241430
H23A563DBLA	-	-	-	-	H2241430
H23A623DBLA	-	-	-	-	H2241430

Three Phase - 208/230 Volt

H2BG094DBDER	-	-	-	-	H2241712
H2BG094DBDE	-	-	-	-	H2241712
H2BG104DBDER	-	-	-	-	H2241712
H2BG104DBDE	-	-	-	-	H2241712
H2BG124DBDER	-	-	-	-	H2241712
H2BG124DBDE	-	-	-	-	H2241712
H25G144DBDER	-	-	-	-	H2241712
H25G144DBDE	-	-	-	-	H2241712
H2NG184DPDFR*	H2241731	-	-	H2241745	H2241707
H2NG184DPDF*	H2241731	-	-	H2241745	H2241707
H2NG204FRDFR*	H2241731	-	-	H2241745	H2241707
H2NG244FRDFR*	H2241731	-	-	H2241745	H2241707
H2NG244FRDF*	H2241731	-	-	H2241745	H2241707
H2NG294FPDFR*	H2241731	-	-	H2241745	H2241707
H2NG294FPDF*	H2241731	-	-	H2241745	H2241707

Continues

Bristol compressors



CAT# ATPC053103

RECIPROCATING COMPRESSORS (Continued) Three Phase - 460 Volt

Part #	24V Module	120V Module	230V Module	230/120V Module	CCH
H23A383DBEA	-	-	-	-	H2241430
H23A423DBEA	-	-	-	-	H2241430
H23A463DBEA	-	-	-	-	H2241430
H23A543DBEA	-	-	-	-	H2241430
H23A563DBEA	-	-	-	-	H2241430
H23A623DBEA	-	-	-	-	H2241430
H2BG094DBEER	-	-	-	-	H2241713
H2BG094DBEE	-	-	-	-	H2241713
H2BG104DBEER	-	-	-	-	H2241713
H2BG104DBEE	-	-	-	-	H2241713
H2BG124DBEER	-	-	-	-	H2241713
H2BG124DBEE	-	-	-	-	H2241713
H25G144DBEER	-	-	-	-	H2241713
H25G144DBEE	-	-	-	-	H2241713
H2NG184DPEFR*	H2241731	-	-	H2241745	H2241706
H2NG184DPEF*	H2241731	-	-	H2241745	H2241706
H2NG204DREFR*	H2241731	-	-	H2241745	H2241706
H2NG244DREFR*	H2241731	-	-	H2241745	H2241706
H2NG244DREF*	H2241731	-	-	H2241745	H2241706
H2NG294DPEFR*	H2241731	-	-	H2241745	H2241706

Three Phase - 575 Volt

H23A423DBFA	-	-	-	-	H2241430
H23A463DBFA	-	-	-	-	H2241430
H23A543DBFA	-	-	-	-	H2241430
H23A563DBFA	-	-	-	-	H2241430
H23A623DBFA	-	-	-	-	H2241430
H2BG094DBFER	-	-	-	-	H2241714
H2BG124DBFER	-	-	-	-	H2241714
H2NG184DPFER	H2241731	-	-	H2241745	H2241710

2 SPD - RECIPROCATING COMPRESSORS Three Phase - 200/208 Volt

Part #	24V Module	120V Module	230V Module	230/120V Module	CCH
H2NG094GPDER*	H2241732	H2241733	H2241734	-	H2241712
H2NG104GPDER*	H2241732	H2241733	H2241734	-	H2241712
H2NG124GPDER*	H2241732	H2241733	H2241734	-	H2241712
H2NG184GPDFR*	H2241731	-	-	H2241745	H2241707
H2NG204GPDFR*	H2241731	-	-	H2241745	H2241707
H2NG244GPDFR*	H2241731	-	-	H2241745	H2241707

Three Phase - 460 Volt

H2NG094GPEER*	H2241732	H2241733	H2241734	-	H2241713
H2NG104GPEER*	H2241732	H2241733	H2241734	-	H2241713
H2NG124GPEER*	H2241732	H2241733	H2241734	-	H2241713
H2NG184GPEFR*	H2241731	-	-	H2241745	-
H2NG204GPEFR*	H2241731	-	-	H2241745	H2241706
H2NG244GPEFR*	H2241731	-	-	H2241745	H2241706

Three Phase - 575 Volt

H2NG094GPFER*	H2241732	H2241733	H2241734	-	-
H2NG104GPFER*	H2241732	H2241733	H2241734	-	-
H2NG124GPFER*	H2241732	H2241733	H2241734	-	-
H2NG184GPFER*	H2241731	-	-	H2241745	-
H2NG184GPFFR*	H2241732	-	-	H2241745	-