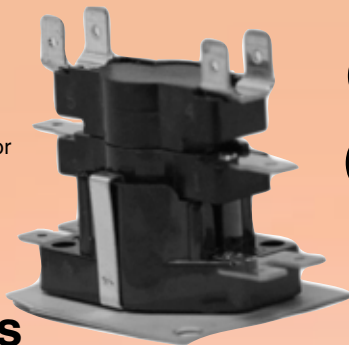


# ALLTEMP Heating Special 2007 Pre-Season Program

## Electric Heat Sequencers

### Features

- Solid State PTC Heaters
- Quick-Connect Terminals
- Shock & Vibration Resistant
- Mounts in any position
- Contact Ratings - to 25 Amps at 120 or 240 Volts, and 12.5A at 480 Volts
- Full-Load Rated Auxilliary Contacts
- Standard Operating Ambience Between -50°F (-45.5°C) and 165°F (73.8°C)



### Applications

- Electric Furnaces
- Baseboard Heaters
- Duct Heaters
- Suspension Heaters
- Recreational vehicle blower and element control
- Heat pump blower and heating element control
- Motor speed switching in air conditioning ( high speed ) / heating systems (low speed) where a single set of contacts handle combination motor and heater element loading in the heater function
- Control circuits requiring definite sequence on both start up and shut down



### Standard Timings

Part #	Timings	Switches	Timings - On					Timings - Off				
			M1-M2	M3-M4	M5-M6	M7-M8	M9-M10	M1-M2	M3-M4	M5-M6	M7-M8	M9-M10
HS-24A34-21	1	1	1--20					1--50				
HS-24A34-22	1	1	15-45					1--30				
HS-24A34-23	1	1	25-55					15-45				
HS-24A34-24	1	1	30-75					1--40				
HS-24A34-25	1	1	40-90					1--30				
HS-24A34-26	2	2	1--20	3--90				40--90	1--30			
HS-24A34-27	2	2	1-160	1-160				1-160	1-160			
HS-24A34-29	1	1	15-35					25-55				
HS-24A34-36	2	2	1--20	30-45				45-110	1--30			
HS-24A34-37	1	1	1-110					1-110				

### Notes

- M1-M2 and M3-M4 are always the first switches to turn on and the last to turn off. All other switches are random on and random off.
- ON TIME - Elapsed time to make contacts after heater is energized
- OFF TIME - Elapsed time to make contacts after heater is de-energized
- OFF timings determined after PTC heater has been electrified for a total of 5 minutes
- Standard Timings determined at 25°C. Timings at temperatures above or below 25° will vary

### Heater Pole

24 Vac 0.18A (anticipator)  
0.75A Max Inrush  
0.16 to 0.20 amps Steady State

Ambient Rating: - 50° to 160°F

### Combined Load Ratings (all models):

30A @ 240 VAC - Total: 23 A non-inductive  
+ 7 FLA/42 LRA Inductive  
Life at rated current: 100,000 cycles

VAC	Resistive (non-inductive)		Motor ratings (inductive)		Pilot Duty
	Watts	Amps	Full Load	Locked Rotor	
120	3000	25.0	10.0A	60.0A	125VA
240	6000	25.0	5.0A	30.0A	125VA
480	6000	12.5	3.0A	18.0A	480VA

## Definite Purpose Magnetic Contactors

### Rotom Definite Purpose Magnetic Contactors

Contactors are designed to establish or interrupt a power circuit. Definite purpose contactors unlike general purpose contactors are non-rebuildable electronic controls designed for specific application with clearly defined operating conditions.

#### FEATURES:

- Compact size.
- Quieter than traditional designs.
- Far more efficient operation.
- Universal electrical connections.
- Quick connect terminals.
- Universal galvanized mounting plates.
- Protective contact cover.
- Snap on auxiliary contacts.
- Individually labelled & packaged.
- Easy to understand part numbers.
- Complete cross reference.
- cURus, UL, CSA & CE approved.
- Price competitive.

#### Contactor Terminal Types

- **30 Amp.** = #10-32 Combination Screw Terminals.
  - **40 Amp.** = # 14-4 Aluminum Compression Lug Terminals With 1/4"-20 Screws.
  - **50 - 60 Amp.** = # 14-2 Aluminum Compression Lug Terminals With 1/4"-20 Screws.
  - **75 - 90 Amp.** = # 14-1 Aluminum Compression Lug Terminals With 1/4"-20 Screws.
- Custom Terminal Type Models Available Upon Request!**



**HC-13024**

1 Pole Contactor With Shunt Illustrated

#### One Pole Contactors

- One pole contactor with shunt
- UL, CSA, CE Approved
- 4 - 1/4" Brass Spade Terminals Per Power Connection
- #10-32 Combination Screw Terminals
- 50/ 60 Hz

Part #	Full Load Amps.	Coil Voltage 50/60	Resistive Amps.	Locked Rotor Amps. @240V	Height	Width	Depth
<b>HC-13024</b>	30	24	40	150	2.39"	2.00"	3.29"
<b>HC-130120</b>	30	120	40	150	2.39"	2.00"	3.29"
<b>HC-130240</b>	30	208/240	40	150	2.39"	2.00"	3.29"



**HC-23024**

2 Pole Contactor Illustrated

#### Two Pole Contactors

- UL, CSA, CE Approved
- 30 Amp.= 4 - 1/4" Brass Spade Terminals Per Power Connection
- 40 Amp.= 4 - 1/4" Copper Spade Terminals Per Power Connection
- 50/ 60 Hz
- Contact Cover Over Contacts (40 Amp Models & Up)

Part #	Full Load Amps.	Coil Voltage 50/60	Resistive Amps.	Locked Rotor Amps. @240V	Height	Width	Depth
<b>HC-23024</b>	30	24	40	150	2.45"	2.00"	3.29"
<b>HC-230120</b>	30	120	40	150	2.45"	2.00"	3.29"
<b>HC-230240</b>	30	208/240	40	150	2.45"	2.00"	3.29"

<b>HC-24024</b>	40	24	50	200	2.63"	2.00"	3.29"
<b>HC-240120</b>	40	120	50	200	2.63"	2.00"	3.29"
<b>HC-240240</b>	40	208/240	50	200	2.63"	2.00"	3.29"

#### Auxiliary Contact Switches

- Clips Directly Onto Either End Of Any Rotom Contactor
- 1/4" Quick Connect Terminals
- Snap Fast Action Switch
- UL & CSA Approved When Used With UL & CSA Approved Rotom Contactors



Auxiliary Switch.  
**HC-250** (One Switch)  
**HC-500** (Two Switches)



Auxiliary Switch.  
**HC-600**



Auxiliary Switch.  
**HC-300**

Part #	Contactor FLA	Continuous Amps.	Voltage Rating	Description	Height	Width	Depth
<b>HC-250</b>	30 & 40	10	300	1 x SPDT, N.O. & N.C.	2.81"	2.61"	0.67"
<b>HC-500</b>	30 & 40	10	300	2 x SPDT, N.O. & N.C.	2.81"	2.61"	0.67"
<b>HC-600*</b>	30 & 40	10	600	2 Contacts x 1 Pole, N.O (make) or N.C. (break)	2.77"	3.13"	0.70"
<b>HC-300</b>	50 & 60	10	300	1 x SPDT, N.O. & N.C.	2.00"	1.34"	0.79"

\* 6-32 Screw Terminal Model Available - Order Part # **HC-600S**

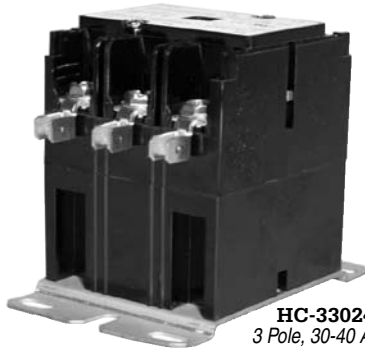
## Definite Purpose Magnetic Contactors



### Contactors Nomenclature

**HC - 1 30 24**

HC = Product Code  
 1 = Poles (1, 2, 3 or 4)  
 30 = Full Load Amps. (30A, 40A...)  
 24 = Coil Voltage (24, 120 or 240)



HC-33024  
3 Pole, 30-40 Amp  
Illustrated



HC-360120  
3 Pole, 50-90 Amp  
Illustrated

#### Typical Applications

- Heating
- Ventilation
- Air Conditioning
- Refrigeration
  - Compressors
  - Motors
- Agriculture
- Pool & Spa Controls
- Food Service Equipment
- Welding Equipment
- Business Machines



### Three Pole Contactors

- UL, CSA, (CE 30 - 60 Amp)
- 30 Amp.= 2 - 1/4" Brass Spade Terminals Per Power Connection
- 40 Amp.= 2 - 1/4" Copper Spade Terminals Per Power Connection
- 50 - 90 Amp.= 2 - 1/4" Copper Spade Terminals & Aluminum Lug Per Power Connection
- 50/ 60 Hz
- Contact Cover Over Contacts (30 - 40 Amp Feature Built-In Test Button)

Part #	Full Load Amps.	Coil Voltage 50/60	Resistive Amps.	Locked Rotor Amps.@240V	Height	Width	Depth
HC-33024	30	24	40	180	2.99"	2.37"	3.75"
HC-330120	30	120	40	180	2.99"	2.37"	3.75"
HC-330240	30	208/240	40	180	2.99"	2.37"	3.75"
HC-34024	40	24	50	240	2.99"	2.37"	3.75"
HC-340120	40	120	50	240	2.99"	2.37"	3.75"
HC-340240	40	208/240	50	240	2.99"	2.37"	3.75"
HC-35024	50	24	65	300	3.62"	2.75"	4.00"
HC-350120	50	120	65	300	3.62"	2.75"	4.00"
HC-350240	50	208/240	65	300	3.62"	2.75"	4.00"
HC-36024	60	24	75	360	3.62"	2.75"	4.00"
HC-360120	60	120	75	360	3.62"	2.75"	4.00"
HC-360240	60	208/240	75	360	3.62"	2.75"	4.00"
HC-37524	75	24	90	450	4.05"	3.75"	5.18"
HC-375120	75	120	90	450	4.05"	3.75"	5.18"
HC-375240	75	208/240	90	450	4.05"	3.75"	5.18"
HC-39024-wsw	90	24	120	540	4.05"	3.75"	5.18"
HC-390120	90	120	120	540	4.05"	3.75"	5.18"
HC-390240	90	208/240	120	540	4.05"	3.75"	5.18"

### Four Pole Contactors

- UL, CSA, CE Approved
- 30 Amp.= 2 - 1/4" Brass Spade Terminals Per Power Connection
- 40 Amp.= 2 - 1/4" Copper Spade Terminals Per Power Connection
- 50/ 60 Hz
- Contact Cover Over Contacts With Built-In Test Button

Part #	Full Load Amps.	Coil Voltage 50/60	Resistive Amps.	Locked Rotor Amps.@240V	Height	Width	Depth
HC-43024	30	24	40	180	2.99"	2.75"	3.75"
HC-430120	30	120	40	180	2.99"	2.75"	3.75"
HC-430240	30	208/240	40	180	2.99"	2.75"	3.75"
HC-44024	40	24	50	240	2.99"	2.75"	3.75"
HC-440120	40	120	50	240	2.99"	2.75"	3.75"
HC-440240	40	208/240	50	240	2.99"	2.75"	3.75"



HC-44024  
4 Pole Contactor Illustrated

## General Purpose Fan Relays - Standard Duty



25-90290  
Illustrated

### Specifications

- Temperature Range: -20°C (-4°F) to 40°C (104°F).
- Mechanical Life: 1,000,000 operations.
- Electrical Life: 100,000 operations (@ 16amp 240VAC Res.)
- Operate Time (typical): 25 ms at nominal coil voltage.
- Release Time (typical): 25 ms at nominal coil voltage.
- Dielectric Strength (at sea level for 1 min.):  
- 2500 Vrms coil to contact.  
- 1000 Vrms between open contacts.
- Coil Frequency: 50/60 Hz.
- Coil Insulation: Class A (105°C / 221°F).
- Coil Duty Cycle: Continuous.
- Terminals: ¼" quick-connects.
- Contact Material: Silver cerium
- Enclosure: Phenolic.

### Features

- Designed for switching single or two speed fan motor, relays, solenoids, resistive loads in cooling, heating or general purpose switching applications.
- Replace WR/ Essex/ RBM & Mars type 84 models
- Totally enclosed compact design.
- Quiet & reliable operations.
- UL & cUR (file E44211)
- Universal mounting bracket.

### Contact Rating

- 125/250 VAC

FLA	LRA	Inductive Amps	Resistive Amps
8	18	8 Amp Continuous	16 Amp Continuous

### 2-Pole HVAC Standard Duty Relays

Coil Voltage	Part # SPST	Part # SPDT	Coil Resistance DC OHMS ±10%	Nominal Current MA	Nominal VA Sealed	Inrush VA
24	25-90290	25-90293	90	146	3.5	4
120	25-90291	25-90294	2,000	29		
240	25-90292	25-90295	7,200	15		

## Totally Enclosed Fan Relays - Heavy Duty



25-90380  
Illustrated

### Specifications

- Temperature Range: -20°C (-4°F) to 40°C (104°F).
- Mechanical Life: 1,000,000 operations.
- Electrical Life: 100,000 operations (@ 25amp 277VAC Res.)
- Operate Time (typical): 25 ms at nominal coil voltage.
- Release Time (typical): 25 ms at nominal coil voltage.
- Dielectric Strength (at sea level for 1 min.):  
- 2500 Vrms coil to contact.  
- 1000 Vrms between open contacts.
- Coil Frequency: 50/60 Hz.
- Coil Insulation: Class A (105°C / 221°F).
- Coil Duty Cycle: Continuous.
- Terminals: ¼" quick-connects.
- Contact Material: Silver cadmium oxide.
- Enclosure: Phenolic.

### Features

- Designed for cooling, heating or general purpose switching equipment operating heavier loads.
- Replace WR/ Essex/ RBM & Mars type 184 models
- Totally enclosed compact design.
- Quiet & reliable operations.
- Universal mounting bracket
- UL & cUR (file E44211)
- SPST, SPDT & SPNO/SPNC models.

### Heavy Duty Relays

Coil Voltage	SPST Part #	SPDT Part #	SPNO-SPNC* Part #	Coil Resistance DC OHMS ±10%	Nominal Current MA	Nominal VA Sealed	Inrush VA
24	25-90360	25-90370	25-90380	77	167	4	4
120	25-90362	25-90372	25-90382	2,000	33		
240	25-90364	25-90374	25-90384	7,200	17		

\*Isolated Contacts

### Contact Rating

VAC	Amps	FLA	LRA	Inductive Amps	Resistive Amps
125VAC	25	14	84	14 Amp Continuous	25 Amp Continuous @ 277 VAC
250VAC		8	48	8 Amp Continuous	
277VAC		7	42	7 Amp Continuous	

## Totally Enclosed Relay - 2 Pole HVAC Switching Relays



25-90340  
Illustrated

### Specifications

- Temperature Range: -40°C (-40°F) to 54°C (130°F).
- Mechanical Life: 750,000 operations.
- Electrical Life: 100,000 operations.
- Coil Frequency: 50/60 Hz.
- Coil Insulation: Class B.
- Coil Duty Cycle: Continuous.
- Terminals: ¼" quick-connects.
- Contact Material: Silver cadmium oxide.
- Enclosure: Phenolic.
- Dimensions 2.13" x 1.88" x 2.25".

### Features

- Intended for many applications in air conditioning, refrigeration, heating and general purpose switching.
- Replaces Honeywell, White-Rodgers/RBM & Mars (cross reference in packaging)
- Semi-enclosed compact design.
- Quiet & reliable operations.
- Universal mounting bracket
- Molded terminal numbers and circuit diagram on top of relay.
- UL & cUR (file E44211).
- 2 Pole DT mode

### Heavy Duty Relays

Coil Voltage	DPDT Part #	Terminals 1,2,3.	Terminals 4,5,6.	Resistance DC OHMS ±10%	Nominal Current MA	Nominal VA Sealed Max.	Inrush VA Max.	Cross Reference		
								WR/ RBM	Honeywell	Mars
24	25-90340	Power	Power	15	334	8	21.5	90-340	R4222B1082	90340
120	25-90341			90-341	R4222B1090			90341		
240	25-90342			90-342	R4222D1013			90342		

### Contact Rating

VAC	Amps General Use	HP	LRA	FLA
125V	15	3/4	82.8	13.8
208V			45.6	7.6
250V			41.4	6.9
277V		-	36.0	6.0

## Control Transformers



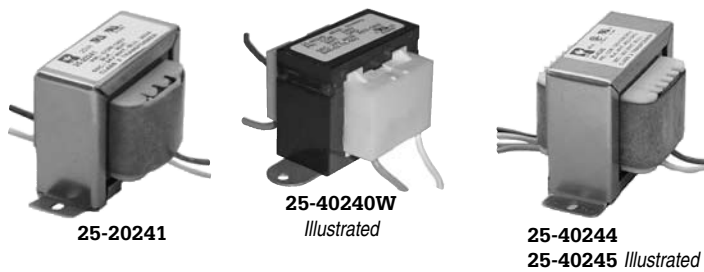
### Features

- Compact superior design.
- Individually boxed with instructions.
- Includes necessary mounting hardware.
- Complete cross-reference.
- UL, cUL & CSA Class 2 not wet, Class 3 wet.
- Class 2 UL listed per UL 1585.
- Class 2 CSA listed per CSA 22.2 No. 66.

### Control Transformers

Control transformers are designed for use in 2.5, 12 or 24 volt alternating current (AC) control systems, including air conditioning circuits, thermostats, gas valves, relays and or other applications that do not exceed the listed ratings. These transformers can be used to replace any transformers of the same primary voltage and equal or smaller VA ratings.

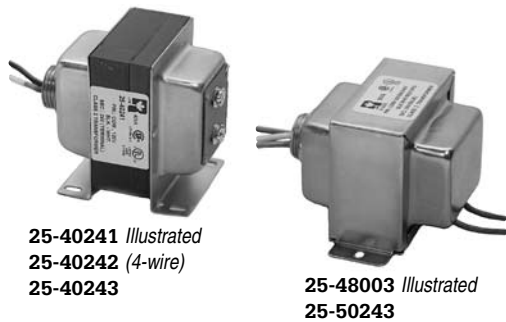
**SPECIALLY DESIGNED FOR LOW VOLTAGE CONTROL APPLICATIONS IN THE INDUSTRIAL HEATING & COOLING INDUSTRY!**



### Foot Mount

Part #	VA	Primary Voltage	Secondary	
			Voltage	Connections
25-20241	20	120	24	Wire
25-40244	40	120	24	Wire
25-40245	40	120/ 208/ 240	24	Wire
25-40240W	40	240	24	Wire

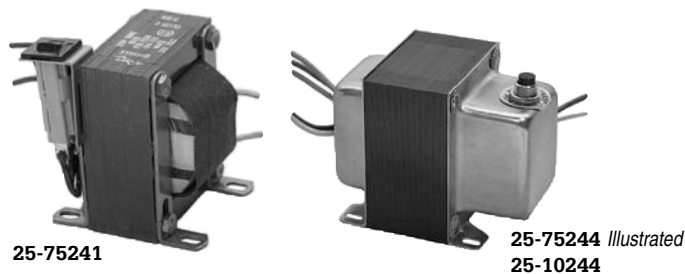
\* 25-40240W cURus only.



### Multi Mount (Foot, Plate, Conduit)

- 25-52C6 mounting plate, (2) screws & (2) wire connectors included.

Part #	VA	Primary Voltage	Secondary	
			Voltage	Connections
25-40241	40	120	24	Screw
25-40242	40	208/ 240 / 277	24	Screw
25-40243	40	120/ 208/ 240	24	Screw
25-48003	48	120/ 208/ 240	2.5 / 12 / 24	Wire
25-50243	50	120/ 208/ 240	24	Wire



### Foot Mount

Heavy Duty (c/w Circuit Breaker)

Part #	VA	Primary Voltage	Secondary	
			Voltage	Connections
25-75241	75	120	24	Wire
25-75244	75	120/ 208/ 240/ 480	24	Wire
25-10244	96	120/ 240/ 277/ 480	24	Wire



## Oil Primary Control

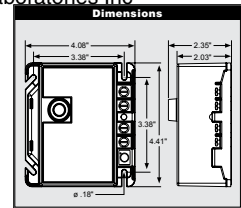


### Features

- Controls oil burner, oil valve (if desired) and the ignition transformer in response to a call for heat .
- Solid state flame sensing circuit .
- LED on terminal strip indicates system lockout.
- Enclosed safety switch with external reset button.
- Mounts on standard 4" x 4" junction box; select models may be mounted directly on burner housing.
- 69-45610 Cadmium Sulfide Flame Detector and 24 VAC thermostat required.
- Direct replacement for popular competitive models.

### Specifications

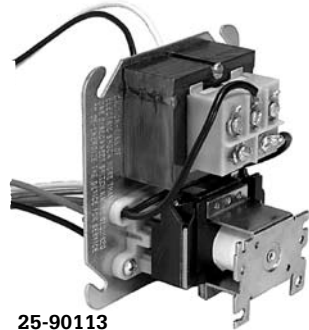
- Ignition Type:** Intermittent  
**Timing, Safety Switch:** 15, 30 or 45 seconds  
**Mounting Bracket:** For mounting on a standard 4" x 4" junction box or direct mounting on burner housing.  
**Electrical Rating; Contacts (full load):**  
 7.4 A @ 120 VAC; 3.7 A @ 240 VAC  
**Electrical Rating; Contacts (locked rotor):**  
 44.4 A @ 120 VAC; 22.2 A @ 240 VAC  
**Dimensions:**  
 • 4 3/8 in. high x 4 1/8 in. wide x 2 1/2 in. deep  
 • 111 mm high x 104 mm wide x 64 mm deep  
**Temperature Range:** -30°F to +130°F  
**Approvals** • Underwriters Laboratories Inc



### Oil Primary Control

Part #	Safety Timing	Replaces
24-ICM1501	15 Sec	Honeywell: R8184G4066, R8184G1161, R8184G1294
24-ICM1502	30 Sec	Honeywell: R8184G4074, R8184G1179, R8184G1302, R8184G4033
24-ICM1503	45 Sec	Carlin: 48245 Honeywell: R8184G4009, R8184G1138, R8184G1427, R8184G4025 Tempstar/Heil: 1147017 White Rodgers: 668-401

## Fan Control Centre



25-90113  
Illustrated

### Features

- DPDT or SPDT relay.
- 24V coil voltage, power and duty rated contacts.
- Colour coded pre-stripped leads.
- Low voltage terminal board.
- Input Voltage 120V or 208/240V, Output Voltage - 24V, 40 VA.
- Mounts directly to 4" electrical box.
- UL/ CUR File E237660.

### Relay/Transformer Fan Centre Assembly

Fan centre controls provide convenient low voltage control of one and two speed fan motors and auxiliary circuits in heating, cooling or heating/cooling applications. Each fan centre control is a reliable, compact unit consisting of a 24 volt control transformer and a plug-in switching relay mounted on a 4" square electrical junction box cover. All line voltage connections are made inside the box with colour coded pre-stripped leads. Low voltage connections are made at a convenient terminal board mounted to the transformer.

### Fan Control Centre

#### Transformer

Part #	Primary		Secondary		Full Relay
	Voltage	Connection	Voltage	Connection	
25-90113	120	Colour coded pre-stripped leads.	24 V	Terminal board with 5 screw terminals.	DPDT

#### Relay Contact Ratings

120 VAC (amps)		240 VAC (amps)		Resistive	Cross Reference
LRA	FLA	LRA	FLA		
13.8	82.8	6.9	39.6	15 Amps @ 277 VAC.	Honeywell: R8285 Series. Mars: 90113. White Rodgers: 8A05A-101.

## Thermostats - Fixed Temperature

### Fixed Temperature Thermostats

- The 78-SC055 to 78-SC075S series of thermostats are low cost single set point thermostats intended for temporary heating or cooling to allow drywall to dry during construction. Can also be used for low ambient cut-off switch.
- Rugged utility thermostat for temporary applications.
- Ideal for new or ongoing construction areas.
- Five fixed set point models to choose from (55°, 60°, 65°, 70°, 75°F).
- Hardwired.

### Applications

- Ideal for warehouses & new home construction!

### Specifications

- Electrical Rating
- 24 volt AC (18-30 VAC)
- 2 amp maximum
- Temperature Control Ranges
- Accuracy ±5°F 55°, 60°, 65°, 70°, 75°F

### "Dry Out" Thermostats



78-SC075S  
Illustrated

### 2 Wire Fixed Thermostats

Part #	Description
78-SC055	55°F cool.
78-SC060	60°F heat.
78-SC065	65°F heat.
78-SC070	70°F heat.
78-SC075	75°F cool.



78-SC075S  
Illustrated

### 3 Wire Fixed Thermostats

Switched fan, 3 modes:

- Fan Only • Off • Heat or Cool

Part #	Description
78-SC060S	60°F w/ switch - fan/off/ heat.
78-SC065S	65°F w/ switch - fan/off/ heat.
78-SC070S	70°F w/ switch - fan/off/ heat.
78-SC075S	75°F w/ switch - fan/off/ cool.

## Gas Cock Valves

### Forged Gas Ball Valves

- Brass or plated outdoor.
- Yellow lever handle.
- 600 WOG full port.



Brass (Indoor) or  
Plated (Outdoor)  
Applications

Brass Indoor	Plated Outdoor	Description
06-FGV38	06-FGV38P	3/8" FNPT x 3/8" FNPT
06-FGV12	06-FGV12P	1/2" FNPT x 1/2" FNPT
06-FGV34	06-FGV34P	3/4" FNPT x 3/4" FNPT
06-FGV1	06-FGV1P	1" FNPT x 1" FNPT
06-FGV114	06-FGV114P	1 1/4" FNPT x 1 1/4" FNPT
06-FGV112	06-FGV112P	1 1/2" FNPT x 1 1/2" FNPT
06-FGV2	06-FGV2P	2" FNPT x 2" FNPT

### Fireplace Forged Gas Ball Valves

- Brass ball valves.
- Red wing handle.
- 600 WOG.



Part #	Description
06-FP1238	1/2" FNPT x 3/8" Male flare.
06-FP1212	1/2" FNPT x 1/2" Male flare.
06-FP3458	3/4" FNPT x 5/8" Male flare.

### Appliance Forged Gas Ball Valves

- Brass ball valves.
- Red wing handle.
- 600 WOG.



Part #	Description
06-GWH12	1/2" FNPT x 1/2" FNPT, 3/8" port.
06-GWH34	3/4" FNPT x 1/2" FNPT, 1/2" port.

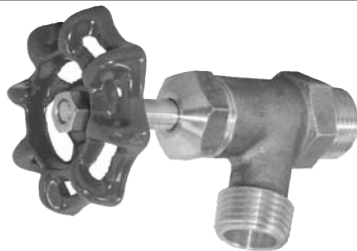
### Appliance Forged Gas Ball Valves

- Brass ball valves.
- Yellow flat head.
- 600 WOG.



Part #	Description
06-FHGV12	1/2" FNPT x 1/2" FNPT, 3/8" port.
06-FHGV34	3/4" FNPT x 3/4" FNPT, 1/2" port.

## Boiler Drain Valves



### Forged Boiler Gate Valve

- Brass drain valve.
- Green handle.

Part #	Description
06-BGV12	1/2" MNPT x Hose.
06-BGV34	3/4" MNPT x Hose.

## Water Valves



### Brass Welded Ball Valves

- Full Port.
- Female sweat connection.
- 600 WOG.
- Green lever handle.

Part #	Description
06-SWV12	1/2" Sweat x 1/2" Sweat.
06-SWV34	3/4" Sweat x 3/4" Sweat.

## Water Heater Valve



### Drain Valve

- Non-corrosive glass filled polymer const.
- Unlike brass, will not deplete anode sys.

Part #	Description
39-DV7575	3/4" NPT x 3/4" NPT male .

## Aluminum Pulleys

# ALLTEMP



67-660  
Illustrated

### Blower Pulleys

Part #	Bore	Diameter
67-650*	3/4"	5"
67-660		6"
67-670		7"
67-680		8"
67-690		9"
67-610		10"
67-612		12"

\* 5" pulley is solid

### Blower Pulleys - Continued

Part #	Bore	Diameter
67-860	1"	6"
67-870		7"
67-880		8"
67-890		9"
67-810		10"
67-812		12"



67-4325  
Illustrated

### Variable Speed Pulleys

Part #	Bore	Diameter
67-4325	1/2"	3 1/4"
67-4350		3 1/2"
67-4375		3 3/4"
67-4400	5/8"	4"
67-5325		3 1/4"
67-5350		3 1/2"
67-5375		3 3/4"
67-5400		4"

Cast aluminum pulley mfg'd to OEM specs

## Shafts

### Shafts

- Sized to bearing manufacturers specifications.
- Slabbed on pulley end.
- Rust protected.
- Individually wrapped.
- Protective end caps.
- Part number and size listed on every shaft.



67-61610  
Illustrated

### Shafts

Part #	Diameter	Length	Reference	
67-61100	3/4"	11"	Lennox, 2100157	
67-61110		11 5/8"	Lennox	
67-61212		12 3/4"	8-5-495C, 2100002	
67-61400		14"	8-5-245C, 2100159	
67-61550		15 5/16"	G9, G12-9, 2100160	
67-61600		16"	8-6-23608, WW15X36, 2100162, 2100163, 2100198	
67-61610		16 5/8"	8-5-240C, G10, G110, 2100011, 2100161	
67-61800		18"	8-5-247C, 8-5-241C, 2100012	
67-61920		19 1/8"	G12, 2100168	
67-62000		20"	M90-256, RS620	
67-62200		22"	2100013	
67-62400		24"	8-5-243C	
67-63600		36"		
67-82000		1"	20"	G15-72, 2100165, 2100078, 2100081, 2100076
67-82400			25"	8-5-252C & 255C, M90-257, G15, 2100037, 55, 56, 2100166
67-83600			36"	P-S-209, M90-270, 2100168, 2100052, 210054



## Bearings

# ALLTEMP



67-4336-1  
Illustrated



67-4036-2  
Oil Type Illustrated



67-4136-2  
Sealed Type Illustrated

### Ball Bearings

Bearings complete with collar.

Part #	Bore	OD	Replaces
67-4336-1	3/4"	1 13/16"	LRCR
67-4336-2			(2) Bearings & (2) Collars
67-4346-1	1"	2 1/4"	RCR

### Sleeve Bearing Paks

Kits include 2 bearings & 2 rubber sleeves.

Part #	Bore	OD	Type	Replaces
67-4036-2	3/4"	1 25/32"	Oil	Delhi
67-4046-2	1"	2 1/2"		Delhi
67-4135-2	5/8"	1 7/8"	Sealed	Lau
67-4136-2	3/4"	1 13/16"		Delhi
67-4137-2				Lau & Lennox
67-4138-2				1 7/8"
67-4146-2	1"	2 1/2"		Delhi
67-4147-2			Lau & Lennox	
67-4148-2			Torin	

### Bearings & Sleeves

Part #	Bore	Type
67-4136-R	3/4"	Rubber sleeve
67-4146-R	1"	Rubber sleeve
67-4136-B	3/4"	Sealed bearing
67-4146-B	1"	Sealed bearing
67-4036-B	3/4"	Oil bearing
67-4046-B	1"	Oil bearing



67-4136-R  
Illustrated



67-4046-B  
Illustrated



67-4136-B  
Illustrated

### Thrust Collar Paks

Part #	Description
67-2164	(2) 5/8" collars & washers.
67-2165	(2) 3/4" collars & washers.
67-2166	(2) 1" collars & washers.



67-2165  
Illustrated

## Combustion Chamber Liners



### Features:

- Fast easy installation - less than 30 min.
- Low conductivity - high efficiency.
- High sound absorption.
- Lightweight: 5% of conventional firebrick.
- High heat resistance (up to 2300°F).
- Superior to steel brick or castable chambers.
- Individually sealed & packaged.
- Comes with instructions.
- Wall thickness 1/2" nominal.

### Wet Paks

- Seamless design complete with a bottom.
- Pliable yet self supporting in a vertical position.

### Wet Pak Sheets

Part #	G.P.H	Inside Diameter	Dimensions	Weight
<b>63-1WETPAK</b>	1.25	Flat Sheet Sizes	14" x 48" x 0.5"	9.0 lbs.
<b>63-2WETPAK</b>	2.50		1pc. 14" x 48" x 0.5" & 1pc. 16" x 16" x 0.5"	10.0 lbs.
<b>63-3WETPAK</b>	2.65		1pc. 16" x 48" x 0.5" & 1pc. 16" x 16" x 0.5"	10.25 lbs.



**63-3WETPAK**  
Wet Pak Sheet

**63-10WETPAK**  
Preshaped Wet Pak

### Preshaped Wet Paks

Part #	G.P.H	Inside Diameter	Outside Diameter	Height	Weight
<b>63-09WETPAK</b>	0.50 to 0.75	8"	9"	15.5"	4.0 lbs.
<b>63-10WETPAK</b>	0.75 to 1.00	9"	10"	15.5"	5.0 lbs.
<b>63-11WETPAK</b>	1.00 to 1.25	10"	11"	15.5"	6.0 lbs.
<b>63-12WETPAK</b>	1.25 to 1.50	11"	12"	15.5"	6.5 lbs.
<b>63-13WETPAK</b>	1.50 to 2.00	12"	13"	15.5"	7.0 lbs.
<b>63-14WETPAK</b>	2.00 to 2.50	13"	14"	15.5"	7.5 lbs.
<b>63-16WETPAK</b>	2.50 to 2.75	15"	16"	15.5"	8.5 lbs.



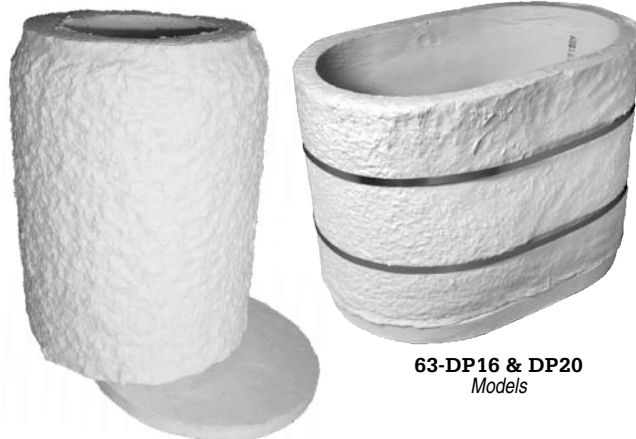
**63-D11**  
Illustrated

### Pre Dried

- Formed to a uniform thickness & density while maintaining a hardness which has exceptional handling strength.
- Easy to cut means more versatility in nozzle opening placement.

### Pre Dried

Part #	G.P.H.	Inside Diameter	Outside Diameter	Height	Weight
<b>63-D09</b>	0.50 to 0.75	8"	8"	12.25"	2.25 lbs.
<b>63-D10</b>	0.75 to 1.00	9"	10"	12"	3.0 lbs.
<b>63-DP09</b>	0.65 to 0.85	9"	10.5"	15"	5.0 lbs.
<b>63-D11</b>	1.00 to 1.25	10"	11"	12"	3.5 lbs.
<b>63-DP11</b>	1.00 to 1.25	11"	12.5"	15"	6.5 lbs.
<b>63-D12</b>	1.25 to 1.50	11"	12"	14"	4.0 lbs.
<b>63-D13</b>	1.50 to 2.00	12"	13"	14"	4.25 lbs.
<b>63-D14</b>	2.00 to 2.50	13"	14"	16"	5.0 lbs.
<b>63-DP13</b>	1.35 to 1.75	13"	14.5"	15"	8.25 lbs.
<b>63-DP15</b>	1.75 to 2.00	15"	16.5"	15"	9.5 lbs.
<b>63-DP16</b>	1.75 to 2.25	10.5" x 15"	13" x 17.5"	15"	16 lbs.
<b>63-DP20</b>	2.25 to 3.00	12" x 19.5"	14.5" x 22"	16"	17 lbs.



**63-DP9, DP11,  
DP13 & DP15**  
Models

**63-DP16 & DP20**  
Models

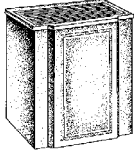
### OEM Replacements

<b>63-D20</b>	Grimsby 97 - 77	10.5" x 10.5"	11.5" x 11.5"	12"	3 lbs.
<b>63-D21</b>	Grimsby 117 - 77	10.5" x 10.5"	11.5" x 11.5"	12"	3 lbs.
<b>63-D22</b>	Grimsby 140 - 79	12" x 12.25"	13" x 13.5"	13"	4.5 lbs.
<b>63-D23</b>	Grimsby 158 - 79	11.75" x 11.88"	13" x 13.88"	12"	4.5 lbs.
<b>63-D24</b>	Grimsby W - 196	9.125" x 9"	10.125" x 10"	10.25"	3 lbs.
<b>63-D30</b>	Esso #110	5 Component Set			12 lbs.
<b>63-D31</b>	Esso #150	5 Component Set			15 lbs.

## Humidifier Pads

### Alltemp Humidifier Pads

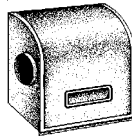
- Available for furnace or portable type.
- Keep environment fresh and clean!
- Increase efficiency and life of humidifier!



Portable Type Humidifier Pads



70-3902-S  
Illustrated



Furnace Type Humidifier Pads



70-3890-ISN  
Illustrated

### Portable Type Humidifier

Part #	Make	Model
70-3902-S	• Electrohome	- YH7S-301
70-3903-S	• Wait-Skuttle	- 1725-11
70-3906	• Air King	- 64-07901-001

### Furnace Type Humidifier

Part #	Make	Model
70-3802-1	• Carrier	- LB18
	• Lau	- VA2
	• Texaco	
70-3815-2S	• Homart-Sears	- 15
70-3817-2S	• Lau	- L17
70-3824-ISNC	• Acqueduct	- 100555
	• Essomatic	- 105
	• Metro-Vision	- 240
70-3831-IS	• Homart-Sears	- 931
70-3840-ISN	• Walton	- WL-140
70-3841-ISN	• Esso	- Ultramatic 1624
70-3845-ISN	• Montgomery-Ward	- 12
	• Wait-Skuttle	- 45, 45S
70-3850-1	• Electrohome	- FH450G
70-3867-ISN	• General	- 67
70-3897-ISN	• Autoflo	- 97
	• Lennox	- WD2-20

## Humidifier Tubing



**"OPAQUE"  
Hard Shell**

08-PT4X2X100  
Illustrated

### Features

- Hard shell.
- Colour - opaque.

### Humidifier Tubing (Polyethylene)

Part #	OD.	ID	Length	Working PSI
08-PT4X2X100	1/4"	1/8"	100'	400
08-PT4X2X1000			1000'	
08-PT4X.1701C		1/6"	100'	
08-PT4X.1702M			2000'	
08-PT5X3X100	5/16"	3/16"	100'	600
08-PT6X4X100	3/8"	1/4"	100'	400
08-PT8X6X100	1/2"	3/8"	100'	300
08-PT10X8X100	5/8"	1/2"	100'	240

Larger rolls available.

## Drain Tubing



08-2501-100  
Illustrated

**"CLEAR"  
Soft Shell**

### Features

- Soft shell.
- Does not kink!
- Colour - clear.
- Individually boxed (c/w knock-out hole).

### Drain Tubing (Poly-Vinyl)

Part #	ID	OD	Wall	Length	Max. PSI*
08-2506-100	3/16"	5/16"	1/16"	100'	55
08-2500-100	1/4"	3/8"	1/16"		55
08-2501-100	3/8"	1/2"	1/16"		45
08-2515-100	3/8"	5/8"	1/8"		55
08-2502-100	1/2"	5/8"	1/16"		30
08-2503-100	5/8"	3/4"	1/16"		30
08-2527-100	5/8"	7/8"	1/8"		40
08-2505-SPEC	7/8"	1 1/8"	1/8"		30
08-2503-SPEC	5/8"	13/16"	3/32"		35
08-2508-SPEC	1"	1 1/4"	1/8"		25
08-2504-50	3/4"	29/32"	5/64"	50'	20
08-2505-50	7/8"	1 1/16"	3/32"		20

\* Max PSI @ 70°F / Operating Temperatures 70°F (Ideal) to 150°F (Max)

NOTE:  
Larger rolls or other wall thicknesses available upon request.

**Alltemp Drain Tubing  
Will Not Kink!!!**

## Smoke Emitters



### Cartridge Type Smoke Emitters

Part #	Type	Burning Time (seconds)	Cartridge / Pack	Smoke Emitted (Cu. ft.)	Weight / Cartridge
61-S210	Splintax	20	20 matches/ pk	20	0.35 oz.
61-HT102	Fumax	45	10	150	1/10 lbs
61-HT103	Fumax KS	90	10	600	1/3 lbs
61-HT104	Ventax	180	5	1,200	2/3 lbs
61-HT105	Datax	240	5	2,500	2 lbs
61-HT107	Brandax KS	480	1	18,000	1 lbs

### Pen Type Smoke Emitter

Part #	Description
61-S220	Contains 1 pen with 6/ pk replacement wicks. 6 wicks provide up to 3 hours of continuous smoke, or 360 individual 30 second tests.
61-S221	6 pack of replacement wicks in plastic case for 61-S220 smoke pen.

### Smoke Bottles

Part #	Description
61-S101	10 Smoke bottles. Each bottle can be used for 24 hours after ampule has been broken.

Note: The smoke generated by smoke bottles is corrosive.

### Powder-Puffers

Part #	Description
61-S201	10 Powder-Puffers.

## Silicone

### General Purpose Sealant / Adhesives

Contractor grade sealants and adhesives are formulated for professional contractor use only and are available in a variety of general purpose styles for increased convenience and efficiency. The long-term reliability under extremely environmental conditions make these general purpose silicone adhesives the ideal rubber sealant for any interior or exterior job.



83-SCS1000W  
Illustrated

83-IS806  
Hi-Temp Silicone  
Illustrated

### Silicone

Part #	Description
83-SCS1000C	Clear
83-SCS1000W	White
83-SCS1000A	Aluminum
83-SCS1000B	Black
83-IS806	Red "Hi-Temp"

83-SCS1000 Application Temperature: -37°C to 60°C (-35°F to 140°F).

Performance Temperature: -62°C to 204°C (-80°F to 400°F).

83-IS806 Performance Temperature: -60°C to 260°C (-75°F to 500°F).

## Combustible Gas Leak Detector



53-D-240

### Features

- Super sensitive
- Adjustable sensitivity levels
- No calibration required
- Long life sensor
- Audio volume control
- Cordless
- Find leaks in contaminated areas
- Includes holster with belt clip
- Low battery indicator

### Detectable Gases (partial list)

- Acetone
- Acetylene
- Ammonia
- Benzene
- Ethane
- Ethanol
- Ethylene
- Gasoline
- Hexane
- H. Sulfide
- Hydrogen
- Iso-Butane
- Methane
- Methanol
- Methyl Ether
- Pentane
- Propane
- Propylene
- Toluene
- Xylene

### Applications

- Find leaks in gas lines and pipes
- Use on combustion appliances
- Propane filling stations
- Fuel in marine bilges
- Fuel tanks before welding
- Check manholes for safety
- Find leaks in heat exchangers
- Liquid or gas heating systems
- Engine exhaust and fuel leaks
- Arson residue (accelerants)
- IAQ Tests

### Combustible Gas Leak Detector

53-D-240	Sensitivity:	5 ppm Methane 2 ppm Propane
	Power Supply:	4 AA Alkaline Batteries
	Operating Temp.:	0°C to 40°C (32°F to 105°F)
	Battery Life:	30 Hours Continuous
	Warm up time:	Less Than 30 Seconds
	Probe Length:	42 cm (16.5")
	Total Reach:	61 cm (24")
	Weight:	0.35 kg (12.3 oz.)
	Certifications:	Intrinsic Safety, CE

## Plastic Thermostat Guards

### Features

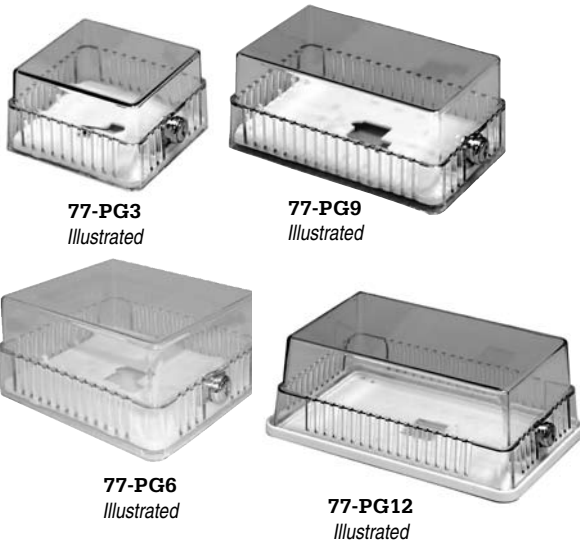
- Hi-impact plastic guards.
- Horizontal and vertical mounting.
- Heavy duty lock and key.
- Comes with complete mounting hardware.
- Each model includes a ring & solid base.
- Colour - clear cover with off white base.

**Mounting Base Types**  
All mounting bases are plastic.



### Reduce Inventory!

ATP thermostat guards come complete with hardware, ring and solid bases.



### Plastic Thermostat Guards

Part #	Base	Inside Dimensions			Cross Reference	
		L	W	D		
77-PG3	Ring	3.75"	3.50"	2.62"	BTG-EK	F29-0252
	Solid	4.00"	4.00"	2.50"	ECST	029-0178 029-0179
77-PG6	Ring	5.25"	4.62"	3.12"	BTG-K	F29-0251
	Solid	5.75"	5.00"	2.81"	KCBT	F29-0257
77-PG9	Ring	6.31"	3.62"	3.06"	BTG-RK	F29-0253
	Solid	6.62"	4.12"	2.75"	RCBT	029-0143
77-PG12	Ring	8.18"	4.62"	3.56"	BTG-UK	F29-0254
	Solid	8.50"	5.00"	3.87"	UCBT	029-0198

## Metal Thermostat Guards

### Features

- Durable metal guards.
- Horizontal and vertical mounting.
- Heavy duty lock and key.
- Comes with complete mounting hardware.
- Each model includes a ring & solid base.\*
- Colour - off white cover with off white base.

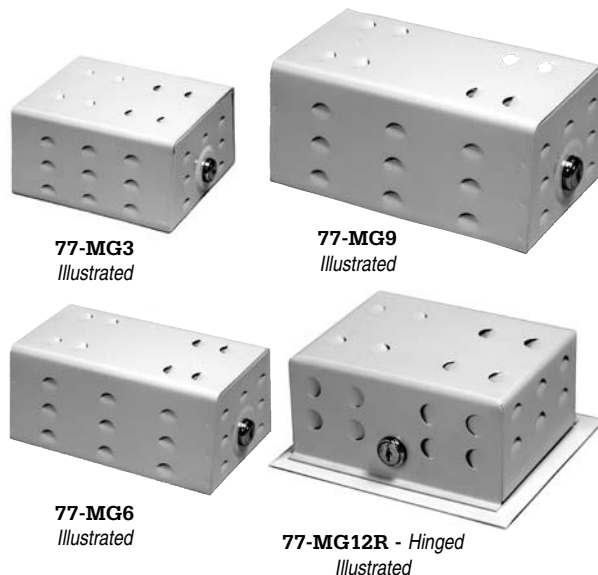
### Mounting Base Types

- 77-MG3 Plastic
- 77-MG6 Plastic
- 77-MG9 Metal
- 77-MG12R Metal
- 77-MG12S Metal



### Reduce Inventory!

ATP thermostat guards come complete with hardware, ring and solid bases.



### Metal Thermostat Guards

Part #	Base	Inside Dimensions			Cross Reference	
		L	W	D		
77-MG3	Ring	5.31"	4.31"	3.00"	BTG-KWM	KMRT
	Solid	5.62"	5.12"	2.87"	BTG-KM	KMST
77-MG6	Ring	6.31"	3.62"	3.18"	BTG-EM	EMST
	Solid	6.62"	4.12"	3.75"	BTG-RM BTG-RWM	RMRT
77-MG9	Ring	6.75"	4.50"	3.43"	BTG-UWM	UMRT
	Solid	7.18"	5.25"	3.43"	BTG-UM	UMST
77-MG12R*	Ring	6.12"	3.81"	3.12"	BTG-54VLW	F29-0256
77-MG12S*	Solid	6.37"	4.25"	3.00"	BTG-54VL	F29-0255

\* Hinged metal guards do not come with both bases.

ROTEMP®, R-LINE®, HOTEMP® are registered trade marks of ALLTEMP® PRODUCTS COMPANY LIMITED. ALLTEMP® has made an effort to illustrate with photos, outline drawings and/or descriptions, the products in this catalogue. These are for the sole purpose of identification. We do not express or imply that products conform exactly to the descriptions, drawings and/or photos. All reasonable effort has been made to accurately determine a suitable product. However, all users are solely responsible to evaluate and determine for themselves the suitability of the product purchased for the use intended. All information, data and dimension tables in this catalogue have been carefully compiled and thoroughly checked. However, no responsibility for possible errors or omissions can be assumed. The company reserves the right to change specifications and other information included in this catalogue without notice. The vendor's responsibility shall be limited only to its written warranty and the vendor shall not be responsible for any loss, cost or damage whatsoever from the use of this product by you or your customers.