

Wire-For-Wire Replacement For All Standard Potential Relays!
Intelligent capacitor discharge circuitry provides anti-weld protection.



ICM's new Universal Motor Starting Relay incorporates patented differential voltage sensing and a non-positional mounting configuration to offer a single replacement for all standard potential relays. The UMSR^e features advanced circuitry that intelligently discharges stray D.C. voltage from the starting capacitor to prevent contactor welding under extreme circumstances.

Part #	Amps
24-UMSRE30	30
24-UMSRE50	50



Features

- 30A and 50A switching capabilities
- .250" quick connect termination
- Safety timer
- Approvals: UL, CSA, cUL pending
- Single, wire-for-wire replacement for ALL standard potential relays; save thousands on inventory management costs while making sure you have the right part on hand at all times!
- Patented differential voltage sensing eliminates the need to set dials or make other field adjustments; automatically senses correct voltage needed to ensure a precision start every time - regardless of motor wear!
- Enhanced, patent-pending circuitry protects the compressor by safely and intelligently discharging stray D.C. voltage from the start cap to prevent welding of contacts.
- Non-positional mounting configuration and universal mounting bracket simplify installation.
- American-made quality and reliability!
- Ideal for A/C, commercial refrigeration, heat pump, or any single-phase motor application up to 10HP.

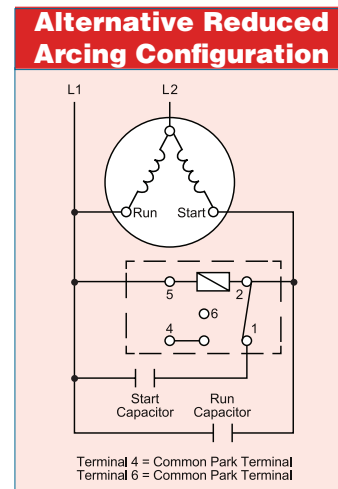
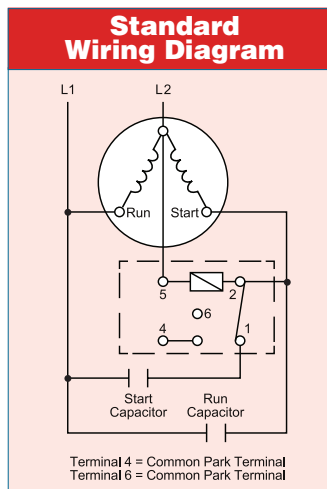
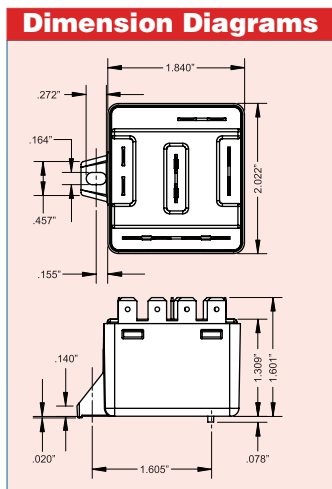
Specifications

Input:

- Voltage Rating: 110-270 VAC, Single Phase
- Maximum Voltage Contact Rating: 502 VAC (absolute)
- Motor Power Rating: Up to 10 HP
- Operating Position: Non-positional
- Safety Time Out: Approximately 1-second per microfarad
- Consumption: 5VA max.
- Insulation: Class B (130°C); Conforms to IEC 1000- standards (6kV impulse / 6kV contact)
- Life Expectancy (minimum operations)
 - Mechanical: 1×10^6
 - Electrical: 1×10^6 at 16A 400VAC
- 5×10^5 at 35A 400VAC (break only)
- 5×10^5 at 50A 400VAC (break only)

Contacts:

- Contact Rating: 30A (break only), 400 VAC $\cos \phi = 0.7$ to 0.8
- 50A (break only), 400 VAC $\cos \phi = 0.7$ to 0.8



All Features and Specifications Subject to Change Without Notice