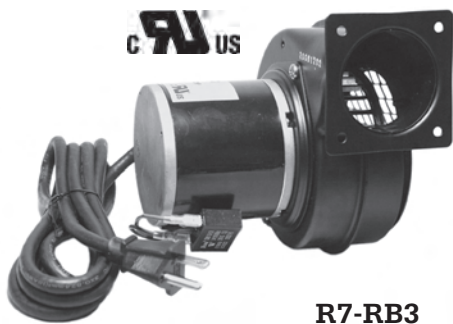
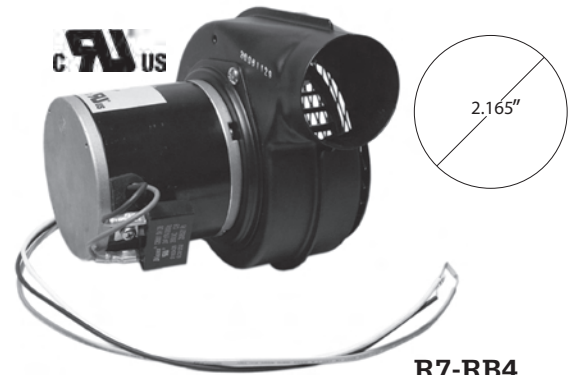
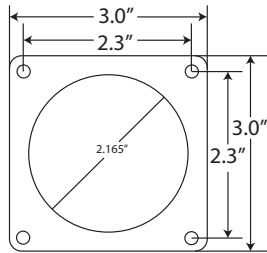


# ROToM *All New PSC Blowers*



**R7-RB3**



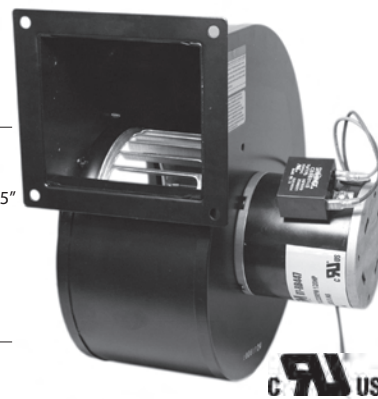
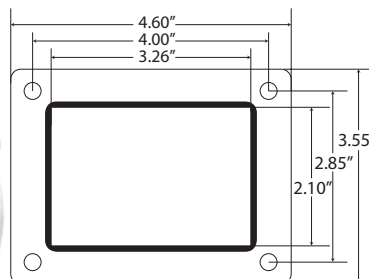
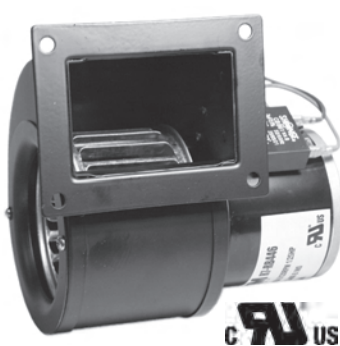
**R7-RB4**



**R7-RB54**

Part #	HP	Amps	Volts	RPM	CFM @ free air	Feature	Cross Reference
<b>R7-RB3</b> <i>NOW P.S.C.!!</i>	1/32	0.34	115	3220	75.7	84" Leads w/ 3 prong plug. PSC/ Cap Inc(2/250). 3" Square flange	UE383, FASCO B24220
<b>R7-RB4</b> <i>NOW P.S.C.!!</i>	1/32	0.34	115	3220	71.5	3 -16" Leads w/ stripped ends. PSC Cap Inc(2/250). Round discharge	FRANKLIN 76012, 80042, ELECTROHOME EB4
<b>R7-RB54</b>	1/24	0.43	115	3420	100	3 -18" Leads (2 stripped & 1 grnd. w/ring) PSC Cap Inc(2/250). Round discharge. Restrictor plate	EASY RADIANT WORKS
<b>R7-RB446</b>	1/25	0.75	115	3120	146	12" Ground wire with stripped end. PSC Cap Inc(3/250). Conduit box, Square discharge, Square flange	4C446, 1TDP7
<b>R7-RB447</b>	1/20	0.77	115	1640	273	12" Ground wire with stripped end. PSC Cap Inc(5/250). Conduit box, Square discharge, Square flange	4C447, 1TDR3

**R7-RB446**



**R7-RB447**

